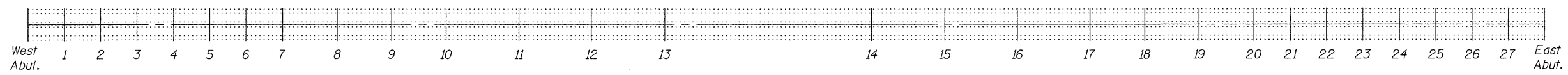
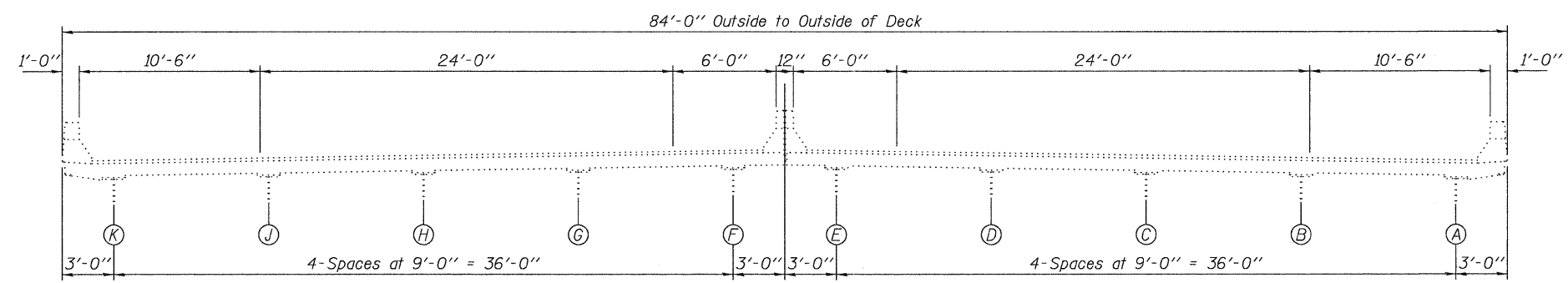


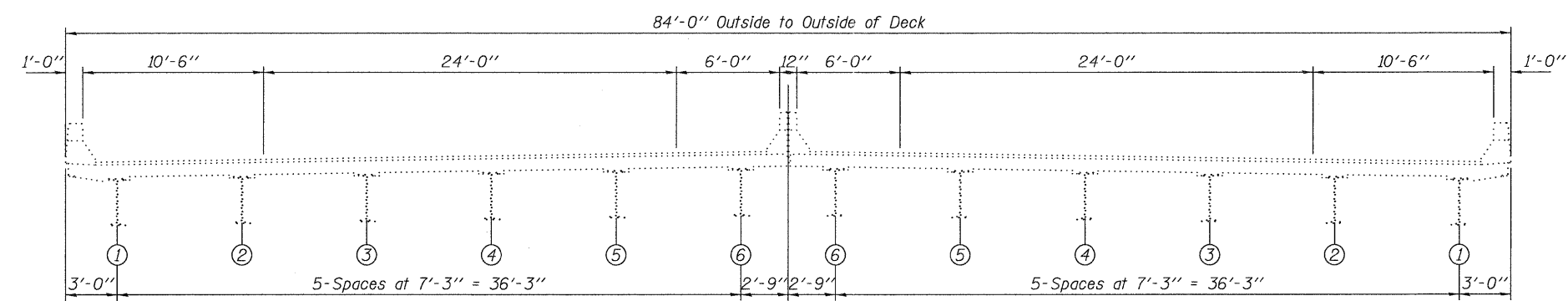
ELEVATION



PLAN



SECTION THRU APPROACH SPANS
(Looking West)



SECTION THRU ARCH SPAN
(Looking West)

TOTAL BILL OF MATERIAL

ITEM	UNIT	QUANTITY
Cleaning and Painting Structural Steel Location 1	L.S.	1
Containment and Disposal of Lead Paint Cleaning Residue	L.S.	1
Fabric Reinforced Elastomeric Trough	Foot	540
Silicone Joint Sealer, 1"	Foot	4193
Silicone Joint Sealer, 1/2"	Foot	336
Concrete Removal	Cu. Yd.	18.5
Reinforcement Bars, Epoxy Coated	Pound	210
Concrete Superstructure	Cu. Yd.	18.5
Drainage Scupper, DS-12	Each	2
Structural Steel Repair	Pound	205
Parapet Railing, Special	Foot	7
Deck Slab Repair, Partial Depth	Sq. Yd.	1940.2



Expires: November 30, 2012

DESIGNED - <i>Marcus R. Christensen</i>	EXAMINED - <i>David Carl Puzey</i> ACTING ENGINEER OF STRUCTURAL SERVICES	DATE - NOVEMBER 23, 2011	STATE OF ILLINOIS DEPARTMENT OF TRANSPORTATION	GENERAL PLAN & ELEVATION I-280 OVER THE MISSISSIPPI RIVER SN 081-0106	F.A.I. RTE. 280	SECTION (81-1B)M-2	COUNTY ROCK ISLAND	TOTAL SHEETS 30	SHEET NO. 17
CHECKED - <i>Kyle M. Steffen</i>	PASSED - <i>David Carl Puzey</i> ACTING ENGINEER OF BRIDGES AND STRUCTURES	REVISED			CONTRACT NO. 64F22				
DRAWN - <i>Kyle M. Steffen</i>	REVISED	SHEET NO. 1 OF 14 SHEETS							
CHECKED - <i>MAC IJL</i>		ILLINOIS FED. AID PROJECT							