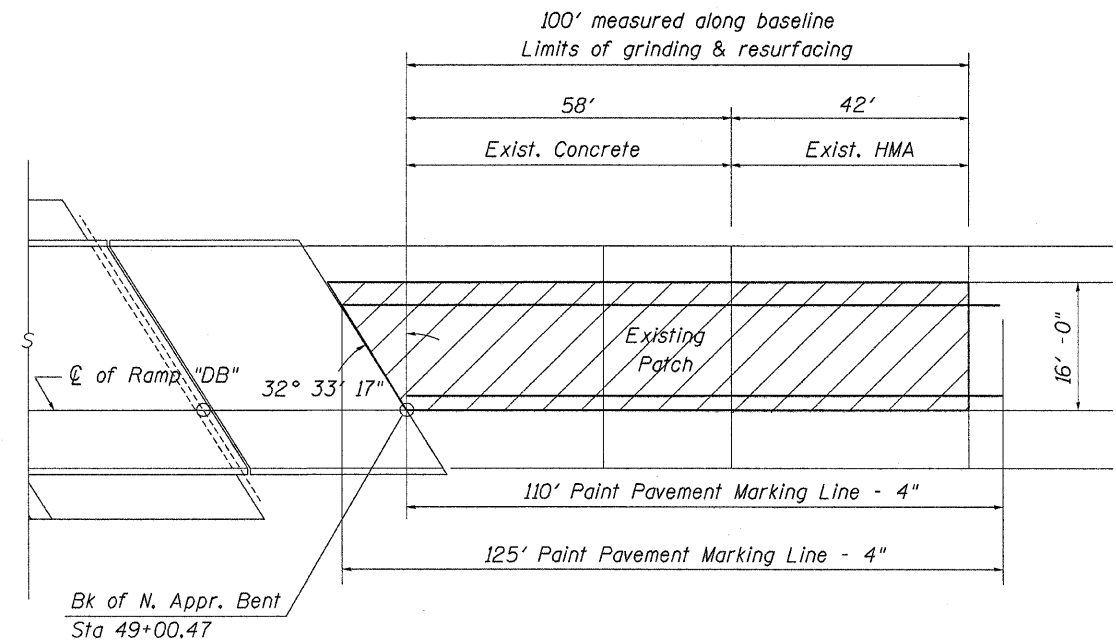


SOUTH APPROACH



NORTH APPROACH

PLAN

BILL OF MATERIAL
(Approach)

<u>Paint Pavement Marking Line - 4"</u>	
Right Edgeline (White)	Foot
South approach	30
Bridge deck	154
North Approach	110
Left Edgeline (Yellow)	
South approach	30
Bridge deck	154
North Approach	125
Total 603 Ft	

	Unit	Quantity
COLD MILLING (SPECIAL)	Sq Yd	228
HOT-MIX ASPHALT SURFACE COURSE, MIX "D", N90	Ton	27
PAINT PAVEMENT MARKING - LINE 4"	Foot	295
SILICONE JOINT SEALER	Foot	14