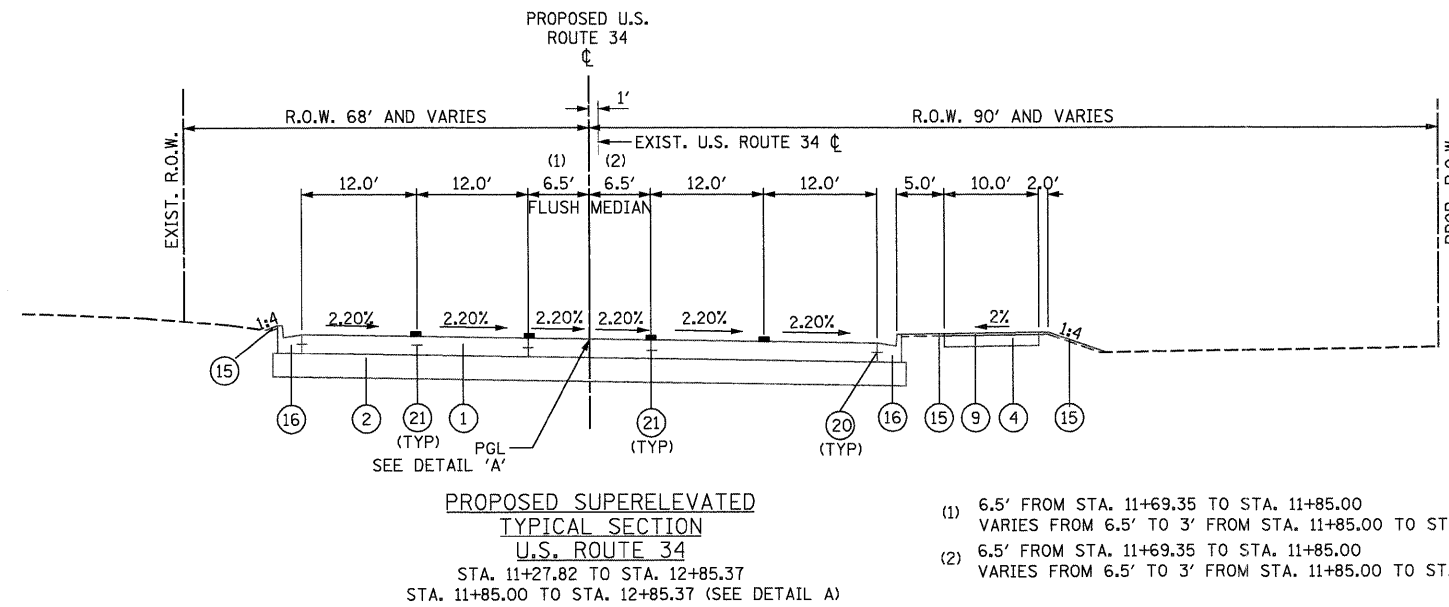


SUB-BASE DETAIL
 APPLICABLE TO ALL CURB AND GUTTER
 SUB-BASE GRANULAR MATERIAL, TYPE A,
 SHALL EXTEND 6" BEHIND BACK OF CURB

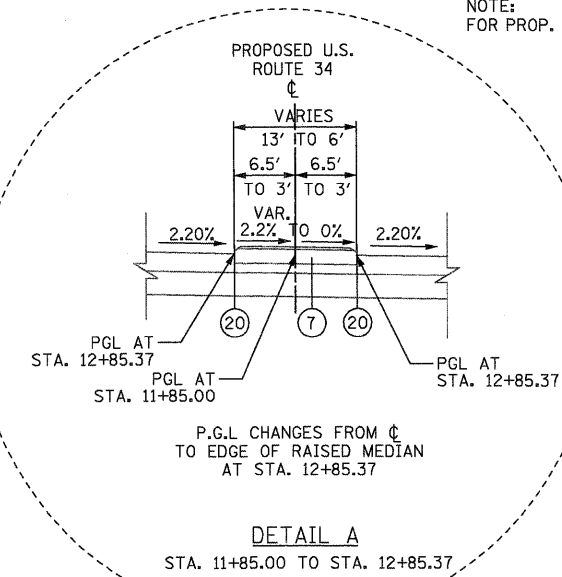
PROPOSED LEGEND

- ① PORTLAND CEMENT CONCRETE PAVEMENT 9-3/4" (JOINTED)
- ② SUB-BASE GRANULAR MATERIAL, TYPE A 12"
- ③ SUB-BASE GRANULAR MATERIAL, TYPE A 8"
- ④ AGGREGATE BASE COURSE, TY A, 6"
- ⑤ CONCRETE MEDIAN, TYPE SB-6.24
- ⑥ CONCRETE MEDIAN SURFACE, 4"
- ⑦ CONCRETE MEDIAN SURFACE, CORRUGATED
- ⑧ HOT-MIX ASPHALT SURFACE COURSE, MIX "C", N50 1-1/2"
- ⑨ HOT-MIX ASPHALT SURFACE COURSE, MIX "C", N30 2"
- ⑩ HOT-MIX ASPHALT BINDER COURSE, IL-19.0, N50 2-1/4"
- ⑪ HOT-MIX ASPHALT BINDER COURSE, IL-19.0, N50 3"
- ⑫ HOT-MIX ASPHALT SHOULDERS - 6"
- ⑬ AGGREGATE SURFACE COURSE, TYPE B 12"
- ⑭ PORTLAND CEMENT CONCRETE SIDEWALK 4"
- ⑮ TOPSOIL FURNISH AND PLACE, 4"
- ⑯ COMBINATION CONCRETE CURB & GUTTER, TYPE B-6.24
- ⑰ COMBINATION CONCRETE CURB & GUTTER, TYPE B-6.12
- ⑱ TYPE B GUTTER (STD. 606201)
- ⑲ AGGREGATE SHOULDERS, TYPE B 6"
- ⑳ LONGITUDINAL CONSTRUCTION JOINT GROUDED-IN-PLACE TIE BARS (STANDARD 420001 & 606001) (INCLUDED IN COST OF CONCRETE PAVEMENT (EPOXY COATED) NO. 6x24" LONG DEFORMED TIE BARS AT 24" O.C.
- ㉑ LONGITUDINAL SAWED JOINT - NO. 6 X 30" LONG DEFORMED TIE BARS (EPOXY COATED) AT 30" O.C. (STANDARD 420001) (INCLUDED IN THE COST OF CONCRETE PAVEMENT)
- ㉒ STEEL PLATE BEAM GUARDRAIL, TYPE B
- ㉓ RETAINING WALL
- ㉔ AGGREGATE SURFACE COURSE, TYPE B 8"
- ㉕ PRISMATIC CURB REFLECTOR
- ㉖ PIPE UNDERDRAINS 4"

* SUPERELEVATION TRANSITION FROM 1.8% (EXIST. SE) TO 2.2% (PROP. SE) FROM STA. 7+00.00 TO 7+30.00
 ** VARIES LANE WIDTH TO MATCH EXISTING PAVEMENT FROM STA. 7+00.00 TO 7+30.00



- (1) 6.5' FROM STA. 11+69.35 TO STA. 11+85.00
VARIES FROM 6.5' TO 3' FROM STA. 11+85.00 TO STA. 12+85.37
- (2) 6.5' FROM STA. 11+69.35 TO STA. 11+85.00
VARIES FROM 6.5' TO 3' FROM STA. 11+85.00 TO STA. 12+85.37



NOTE:
 FOR PROP. ROW. & PERMANENT EASEMENTS, SEE CROSS SECTIONS