





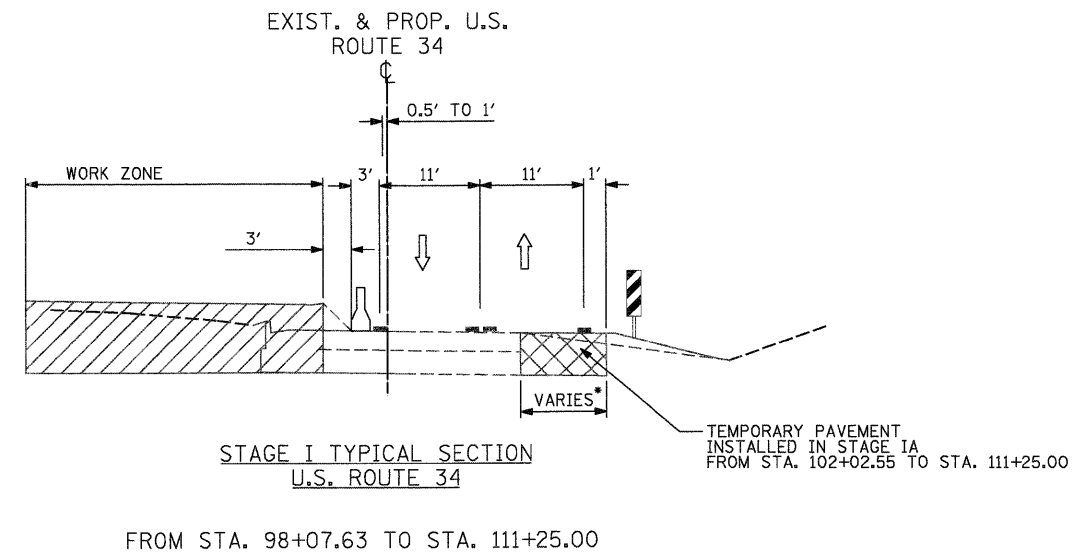
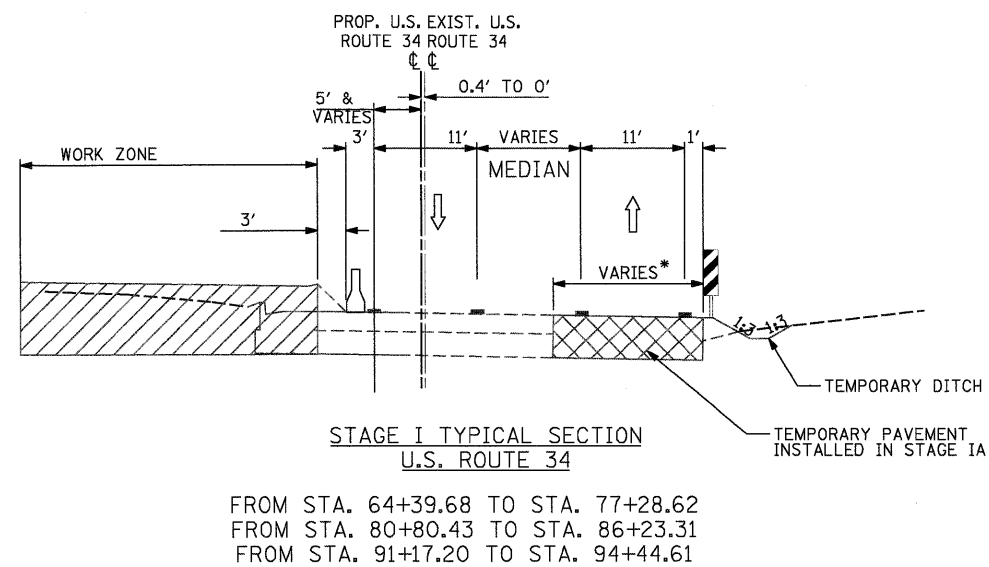
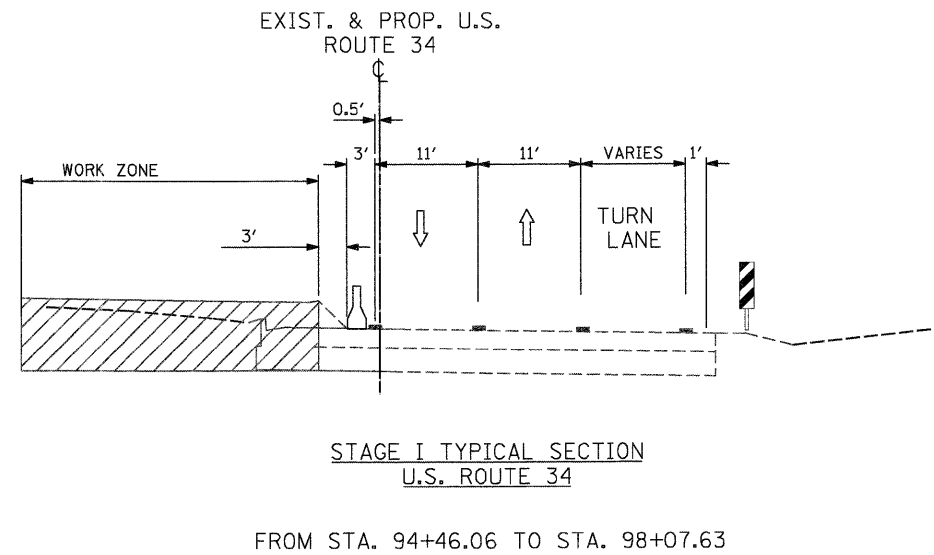
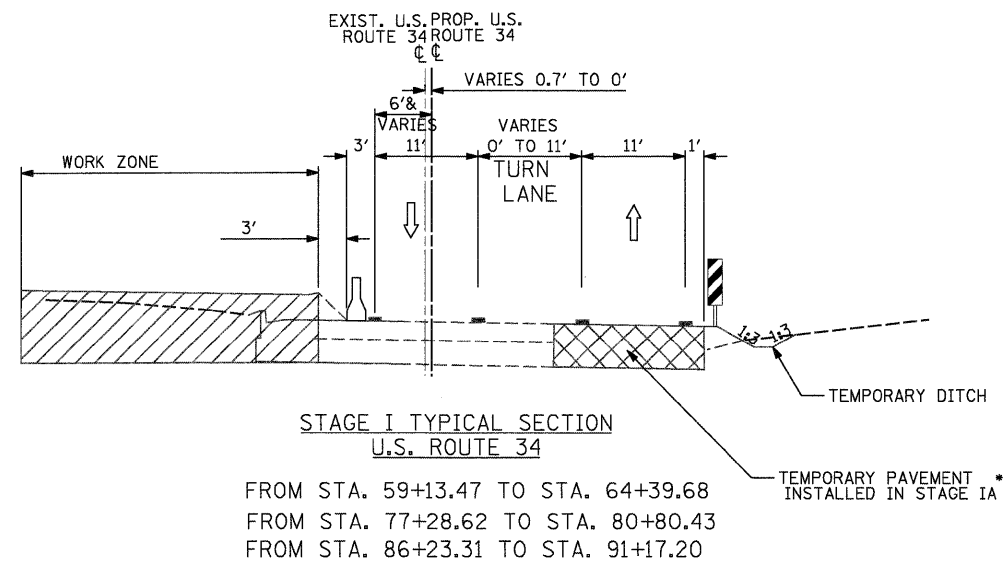


LEGEND

-  VERTICAL PANELS AT 50' SPACING IN CURVES AND 100' SPACING IN TANGENTS
-  DRUMS W/ STEADY BURN LIGHTS AT 25' C-C IN TAPERS AND 50' C-C IN TANGENTS
-  WORK ZONE
-  TEMPORARY PAVEMENT (HMA BINDER IL-19mm) 9"
-  TRAFFIC FLOW ARROW
-  TEMPORARY CONCRETE BARRIER



* 5.0' TO 17.0' FROM STA. 59+13.47 TO STA. 64+17.10
16.0' TO 0.0' FROM STA. 67+64.19 TO STA. 72+94.70
16.0' FROM STA. 78+40.00 TO STA. 91+69.17
16.0' TO 0' FROM STA. 91+69.17 TO STA. 94+46.06
0' TO 10' FROM STA. 102+02.55 TO STA. 104+98.23
10' FROM STA. 104+98.23 TO STA. 111+25.50