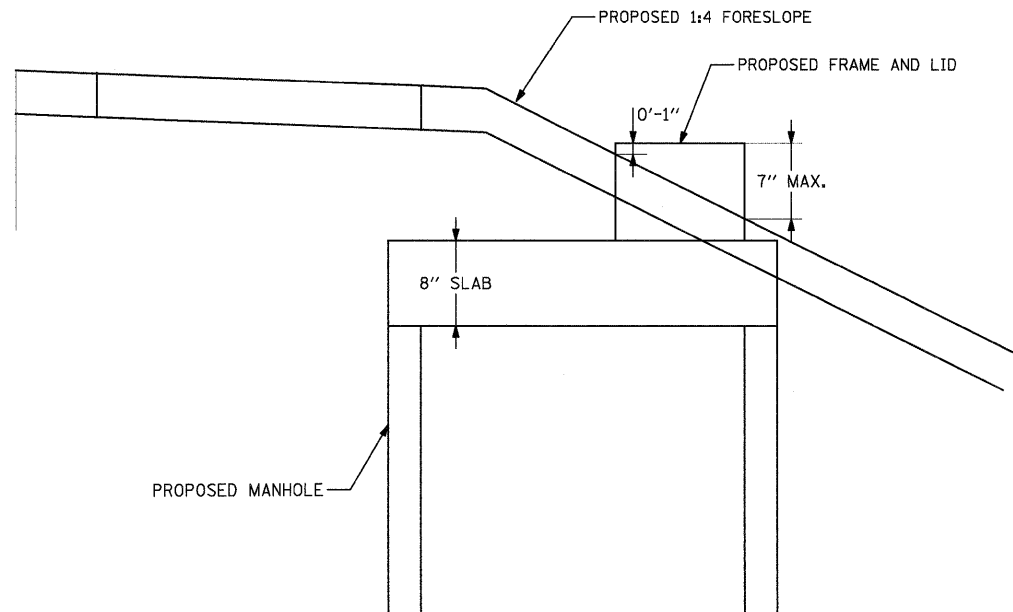
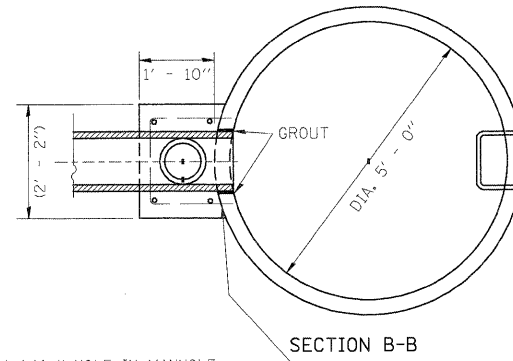
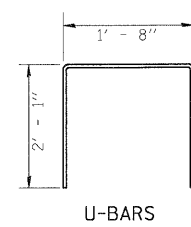
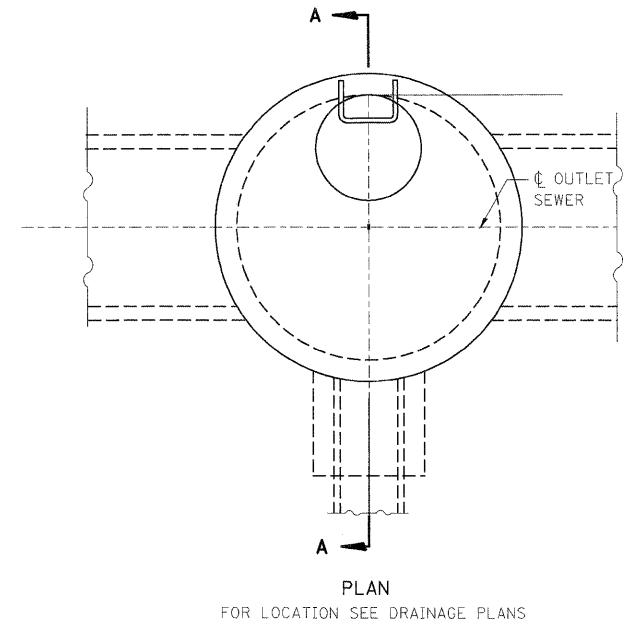


MANHOLE IN FORESLOPE

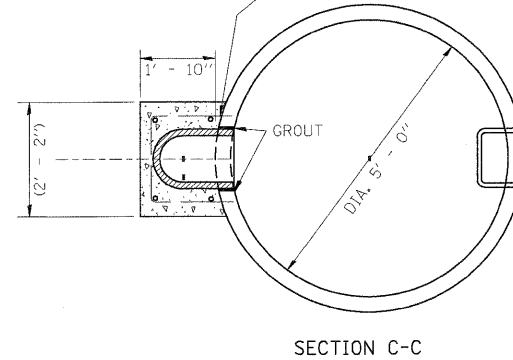


DROP MANHOLE DETAIL

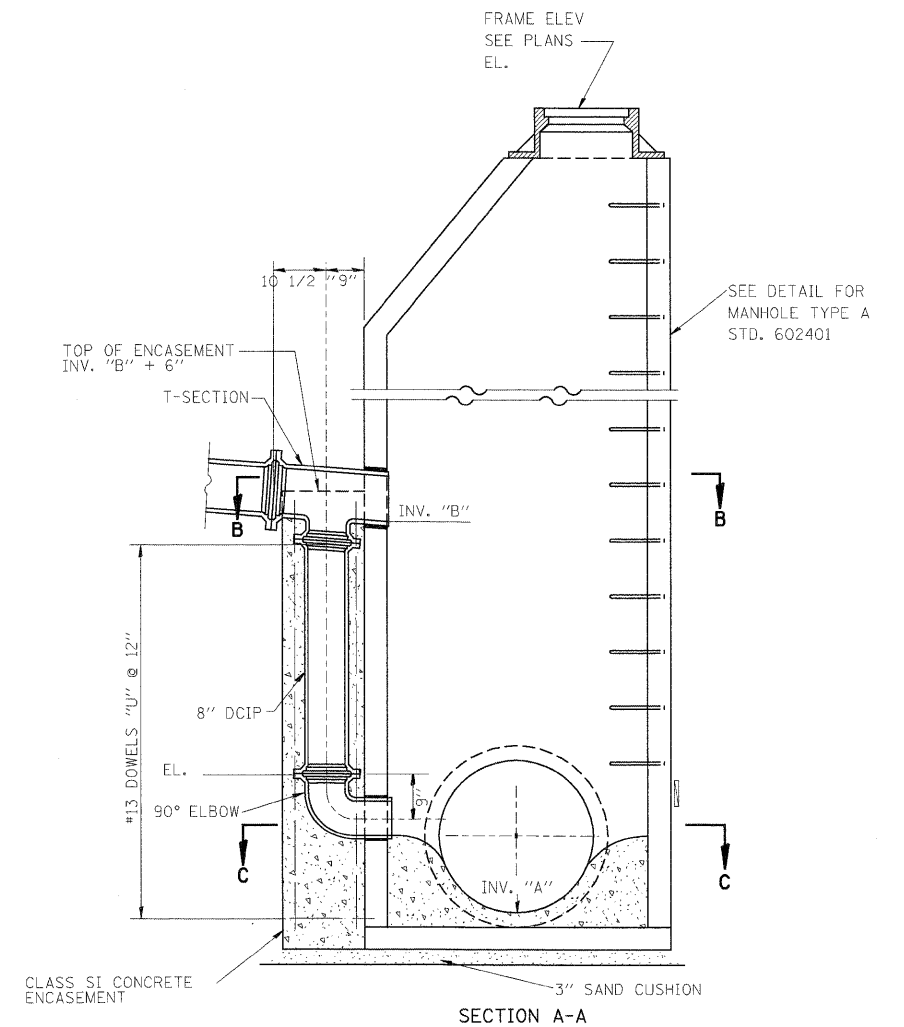
STRUCTURE NUMBER	DRNG SHEET NUMBER	STATION	OFFSET	DIA (FT)	Rim Elev.	INVERT ELEVATIONS				DEPTH (FT)
						N	S	E	W	
61	5	29+50.00	44.71LT	6	622.39	616.34	--	612.72 NE	601.13	21.3
66	5	32+60.00	56.74LT	6	631.54	--	625.46	622.53	614.71	16.8
83	6	38+35.00	67.40LT	6	644.16	640.41 NE	634.79 S 641.58 SE	626.31	625.31	19.8
84	4	26+00.00	44.50LT	6	607.99	--	--	598.76	595.61	12.5
312	16	95+00.00	48.81RT	4	647.30	642.33	--	636.63	640.93	11.5



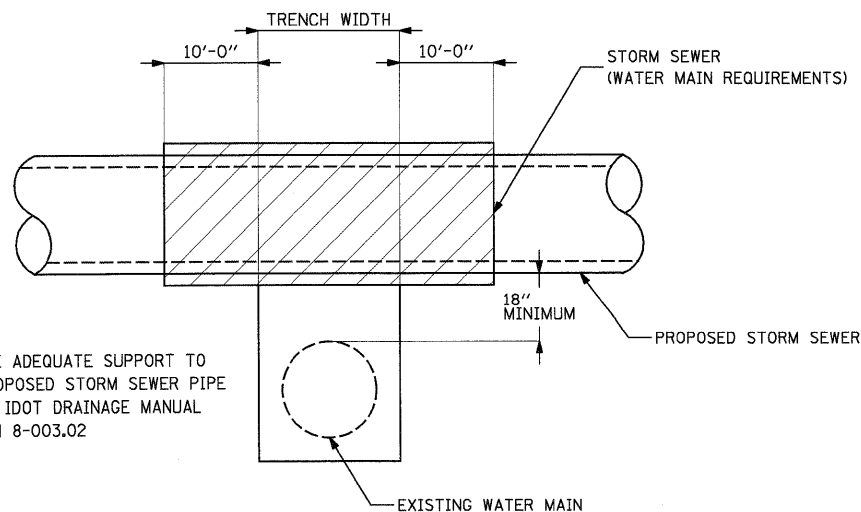
DRILL 1/4" HOLE IN MANHOLE RISER WALLS, FILL WITH MORTAR AND INSERT DOWELS. (TYPICAL FOR ALL DOWELS)



- TYPE A1-1 MANHOLE WITH 1 DROP AND DEPTH UP TO 10'
- TYPE A1-2 " " " " " " FROM 10' TO 15'
- TYPE A1-3 " " " " " " FROM 15' TO 20'
- TYPE A1-4 " " " " " " OVER 20'
- TYPE A2-1 MANHOLE WITH 2 DROPS AND DEPTH UP TO 10'
- TYPE A2-2 " " " " " " FROM 10' TO 15'
- TYPE A2-3 " " " " " " FROM 15' TO 20'
- TYPE A2-4 " " " " " " OVER 20'



EXISTING WATER MAIN BELOW A PROPOSED STORM SEWER WITH MINIMUM 18" SEPERATION



NOTE: PROVIDE ADEQUATE SUPPORT TO THE PROPOSED STORM SEWER PIPE AS PER IDOT DRAINAGE MANUAL SECTION 8-003.02

STATE OF ILLINOIS
DEPARTMENT OF TRANSPORTATION

DRAINAGE DETAILS

SCALE: DRNG - 27 OF 28 STA. TO STA.

F.A.P. RTE.	SECTION	COUNTY	TOTAL SHEETS	SHEET NO.
591	13R-214R-1 & BR-1(1)15R-1	KENDALL	429	190
FINAL SUBMITTAL			CONTRACT NO. 66985	
ILLINOIS FED. AID PROJECT				

PB Americas, Inc.
230 WEST MONROE STREET,
SUITE 900
CHICAGO, IL 60606
(312)782-8150

FILE NAME = D366985-sht-30 drop manhole	DESIGNED - RJD	REVISED -
	DRAWN - RJD	REVISED -
PLOT SCALE = N.T.S.	CHECKED - PMK	REVISED -
PLOT DATE = 19-AUG-2011 08:22	DATE - 08-18-2011	REVISED -