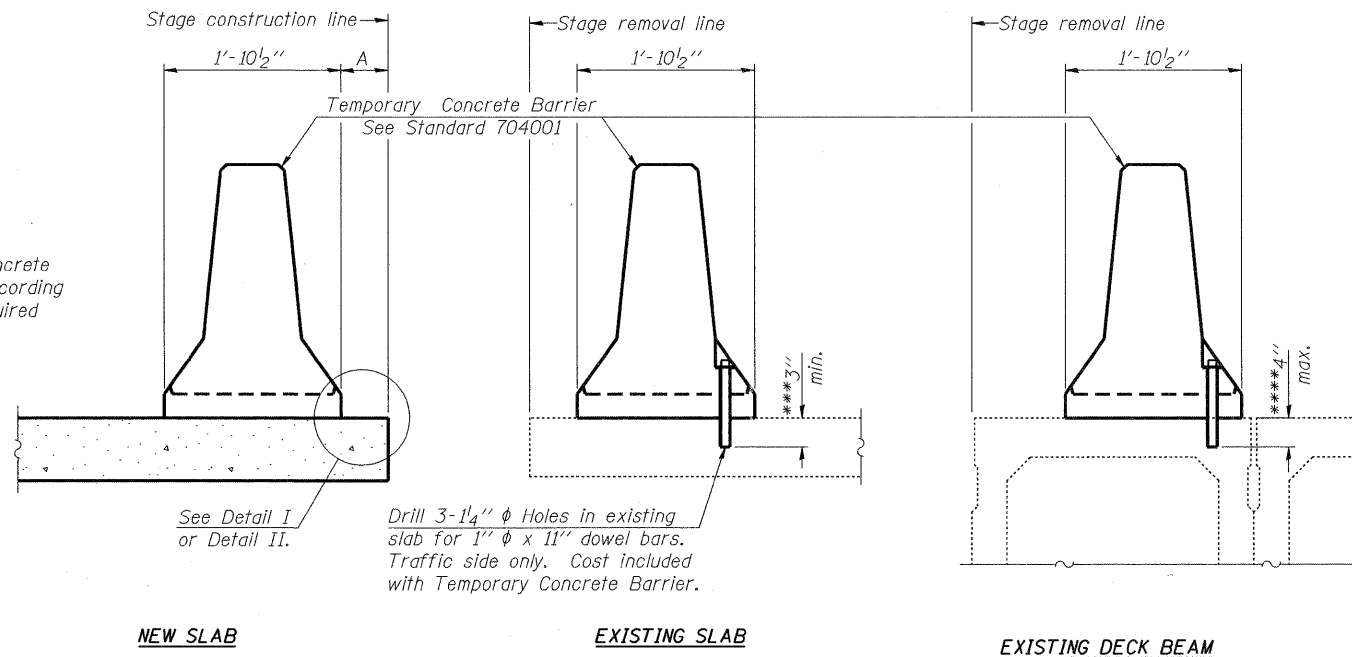


When "A" is 3'-6" or less, the temporary concrete barrier shall be anchored to the new slab according to Detail I or Detail II. No anchorage is required when "A" is greater than 3'-6".



SECTIONS THRU SLAB OR DECK BEAM

NOTES

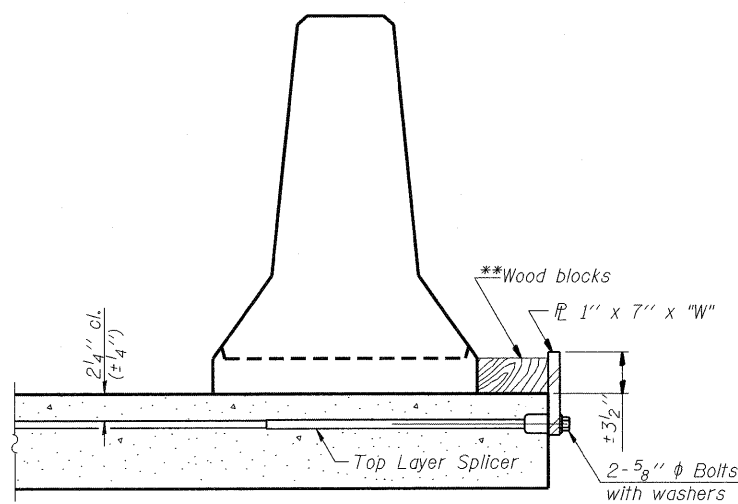
Detail I - With Bar Splicer or Couplers:
Connect one (1) 1" x 7" x "W" steel \bar{P} to the top layer of couplers with 2-5/8" ϕ bolts screwed to coupler at approximate \bar{C} of each barrier panel.

Detail II - With Extended Reinforcement Bars:
Connect one (1) 1" x 7" x "W" steel \bar{P} to the concrete slab or concrete wearing surface with 2-5/8" ϕ Expansion Anchors or cast in place inserts spaced between the top layer of reinforcement at approximate \bar{C} of each barrier panel.

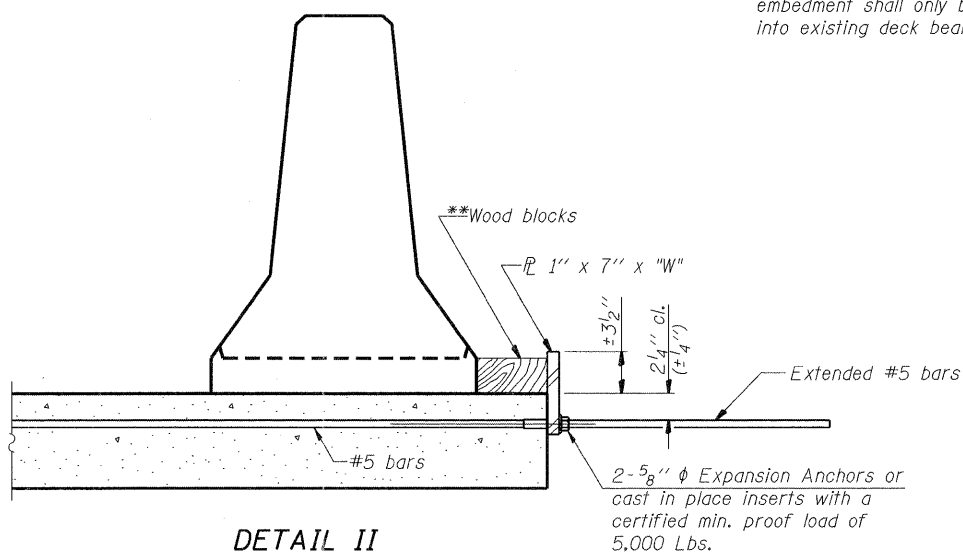
Cost of anchorage is included with Temporary Concrete Barrier. The 1" x 7" x "W" plate shall not be removed until stage II construction forms and all reinforcement bars are in place and the concrete is ready to be placed.

*** Dimension shown is minimum required embedment into concrete. If hot-mix asphalt wearing surface is present, minimum embedment shall be in addition to wearing surface depth.

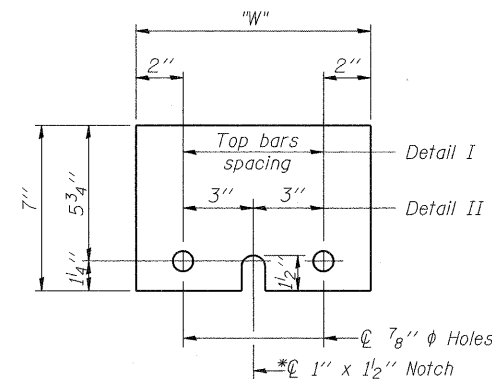
**** If existing deck beam is to remain in place after stage construction, embedment shall only be into wearing surface and not into existing deck beam concrete.



DETAIL I



DETAIL II



STEEL RETAINER \bar{P} 1" x 7" x "W"

* Required only with Detail II

** Wood blocks may be omitted when required to provide minimum stage traffic lane width. When the wood blocks are omitted, the concrete barrier shall be in direct contact with the steel retainer plate.

"W" = Top bars spacing + 4"

COMPANY NAME: SEC GROUP, INC.
PROJECT CONTACT: Robert C. Davies
CLIENT: ILLINOIS DEPARTMENT OF TRANSPORTATION
DATE PLOTTED: 10/14/2011 11:08:22 AM
FILE NAME: 070051-1cb.dgn
PLOT DRIVER: pdr.dft
PEN TABLE: Struct 20x34.tbl

R-27 7-1-10

SEC Group, Inc.
An NRI Group Company
400 N. First Street,
Moline, IL 61704-2000
T 815.385.1778 F 815.385.1781
www.secgroupinc.com
sec@secgroupinc.com • Near Leasoft, Chicago, IL

PB Americas, Inc.
230 WEST MONROE STREET,
SUITE 900
CHICAGO, IL 60606

USER NAME = whood	DESIGNED - MGH	REVISED -
PLOT SCALE =	CHECKED - SSM	REVISED -
PLOT DATE = 18/14/2011	DRAWN - WJH	REVISED -
	CHECKED - RGD	REVISED -

**STATE OF ILLINOIS
DEPARTMENT OF TRANSPORTATION**

**TEMPORARY CONCRETE BARRIER FOR STAGE CONSTRUCTION
STRUCTURE NO. 047-0051**

F.A.P. RTE. 591	SECTION 14BR-1	COUNTY KENDALL	TOTAL SHEETS 429	SHEET NO. 254
SHEET NO. S-4 OF S-43 SHEETS			CONTRACT NO. 66985	
ILLINOIS FED. AID PROJECT				