

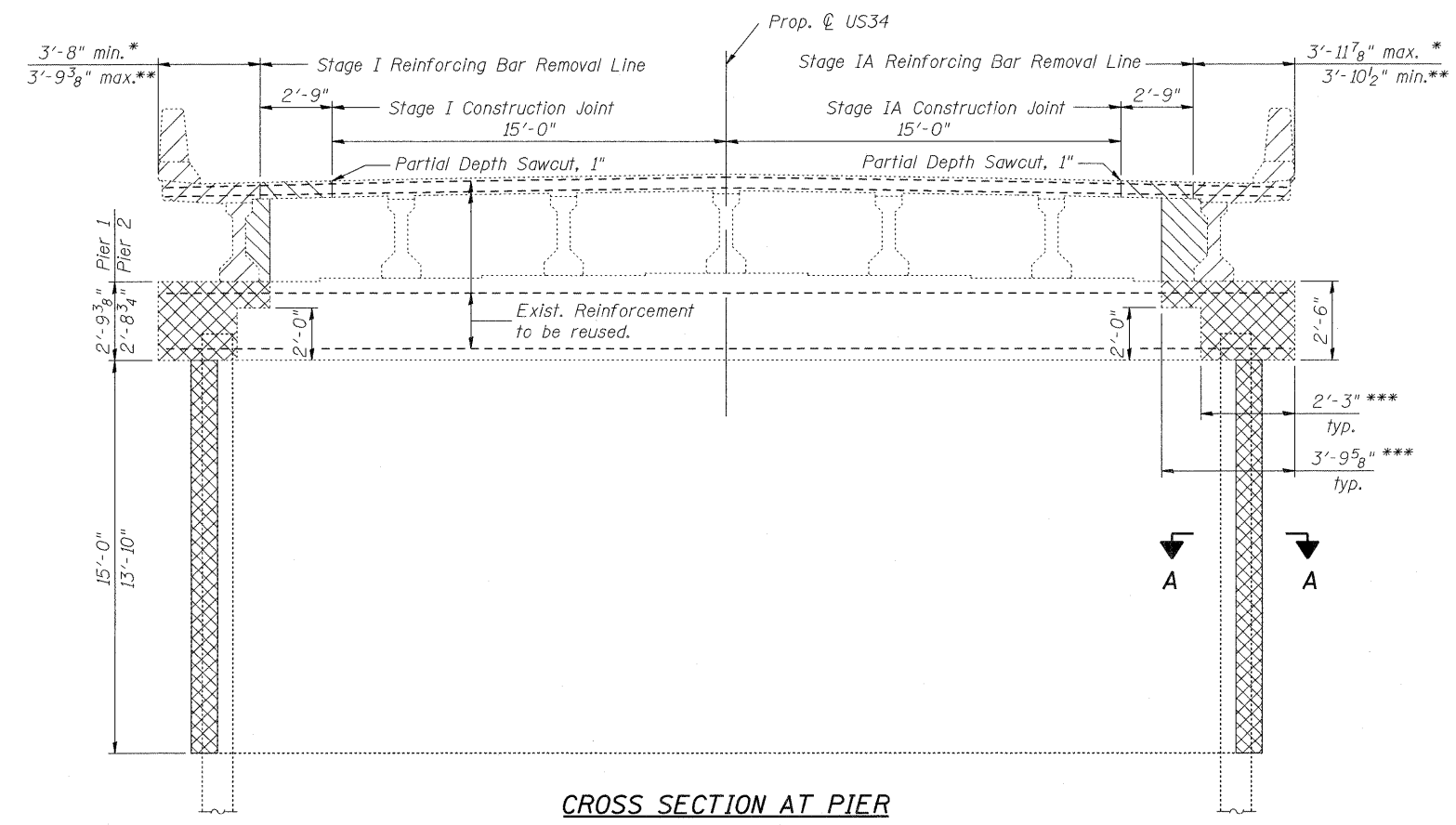
CROSS SECTION AT ABUTMENT
(Looking East)
Dimensions are perpendicular to Prop. C/L, U.N.O.

* Measured at Back of West Abutment perpendicular to Proposed C/L U.S. 34.
** Measured at Back of East Abutment perpendicular to Proposed C/L U.S. 34.
*** Measured along C/L of substructure unit.

- Notes:
1. Any reinforcement bars that are damaged during concrete removal operations shall be repaired or replaced using an approved bar splicer or anchorage system. Cost included in pay item Removal Of Existing Superstructures.
 2. Exist. Reinforcement and Piles extending into removal area shall be cleaned, straightened, and incorporated into the new construction. Cost included in pay item Concrete Removal.
 3. Removal of the existing beam shall be included in the cost for Removal of Existing Superstructures.
 4. Cost for Partial Depth Sawcut, 1" included in Removal of Existing Superstructure.
 5. Cost for 2" sawcut included in Concrete Removal.

LEGEND:

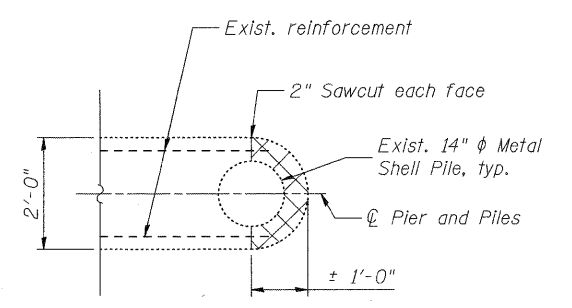
- Indicates area of Concrete Removal.
- Indicates area of Removal of Existing Superstructures.



CROSS SECTION AT PIER
(Looking East)
Dimensions are perpendicular to Prop. C/L, U.N.O.

BILL OF MATERIAL

| ITEM | UNIT | TOTAL |
|------------------|---------|-------|
| Concrete Removal | Cu. Yd. | 19.3 |



SECTION A-A
North end similar, but opposite hand

COMPANY NAME: SEC GROUP, INC.
 PROJECT CONTACT: Robert G. Davies
 CLIENT: ILLINOIS DEPARTMENT OF TRANSPORTATION
 DATE PLOTTED: 10/14/2011 11:08:36 AM
 FILE NAME: 0470051-Hm02.dgn
 PLOT DRIVER: PLOTJOB
 PEN TABLE: Struct 25x34.tbl

SEC Group, Inc.
 An HSI Group Company
 420 N. First Street,
 Moline, IL 62550-2108
 T 815.385.1778 F 815.385.1751
 www.secgroup.com
 4401 Sycamore, Moline, IL • New Lenox, IL • Chicago, IL

PB Americas, Inc.
 230 WEST MONROE STREET,
 SUITE 900
 CHICAGO, IL 60606

| | | |
|------------------------|----------------|-----------|
| USER NAME = whood | DESIGNED - MGH | REVISED - |
| PLOT SCALE = | CHECKED - SSM | REVISED - |
| PLOT DATE = 10/14/2011 | DRAWN - WJH | REVISED - |
| | CHECKED - RGD | REVISED - |

**STATE OF ILLINOIS
DEPARTMENT OF TRANSPORTATION**

**REMOVAL AND REPAIR PLAN
STRUCTURE NO. 047-0051**

SHEET NO. S-6 OF S-43 SHEETS

| F.A.P. RTE. | SECTION | COUNTY | TOTAL SHEETS | SHEET NO. |
|--------------------|---------|---------|---------------------------|-----------|
| 591 | 14BR-1 | KENDALL | 429 | 256 |
| CONTRACT NO. 66985 | | | ILLINOIS FED. AID PROJECT | |