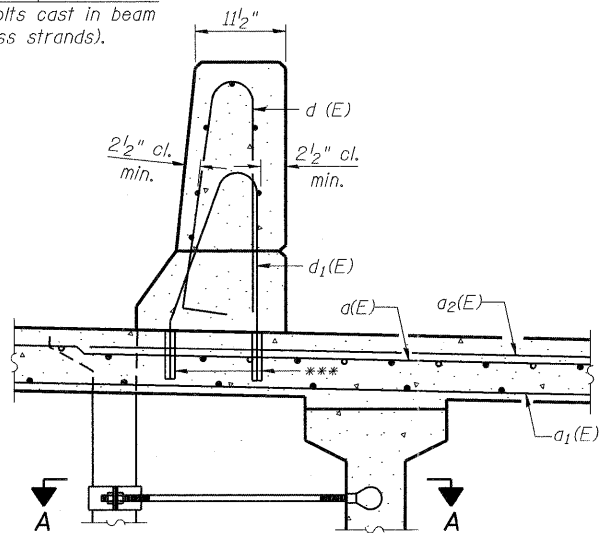


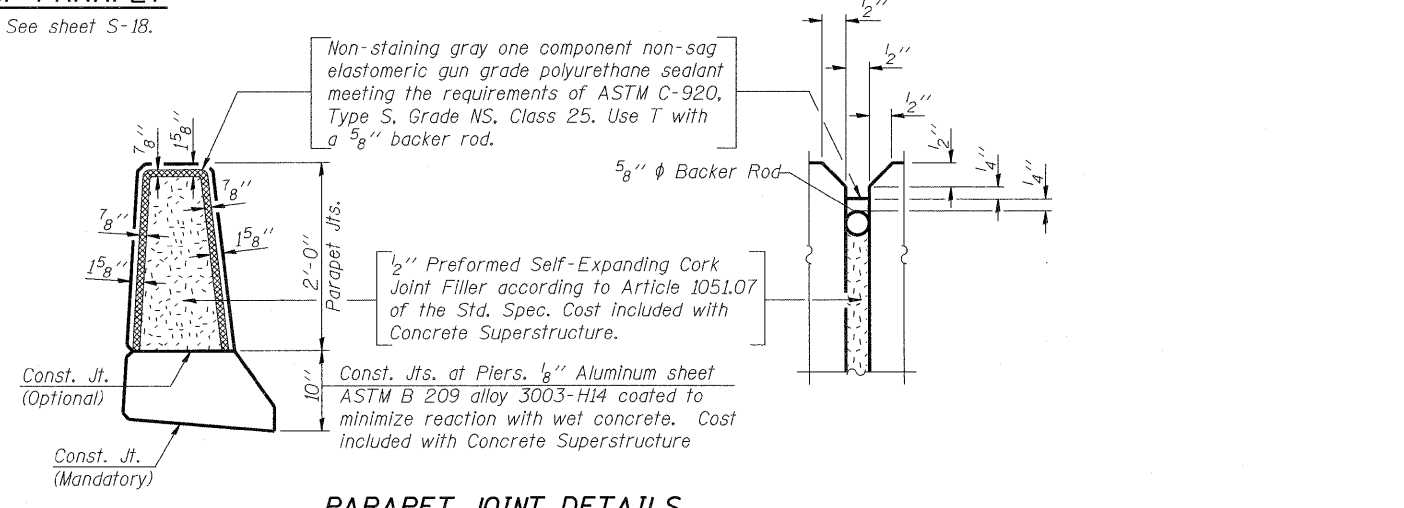
MINIMUM BAR LAP
 #4 bar = 2'-0"
 #8 bar = 5'-2"

Ferrule flared loop inserts for 3/4" φ stud bolts cast in beam (Locate to miss strands).

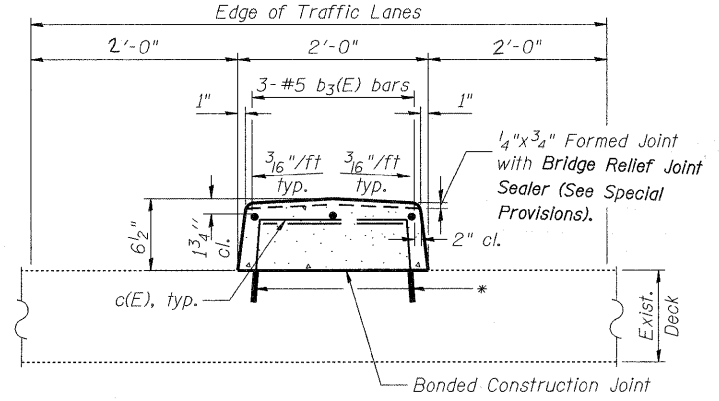
3/4" φ Steel stud bolts, threaded 3" for insert end and 6" for clamp end, with locknuts.
 6" φ Pipe clamp



***Core and set alternate #5 d₁(E) bar according to Article 509.06 of the Standard Specifications. Cored holes shall be roughened or scored per manufacturer's recommendations. Maximum depth of hole shall not exceed 5 1/2".

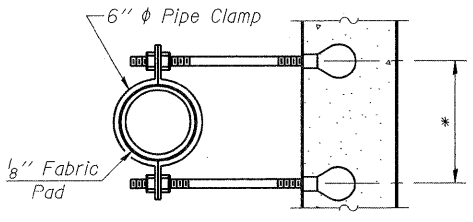


Notes:
 Fiberglass pipe shall conform to ASTM D2996, with short-time rupture strength hoop tensile stress of 30,000 p.s.i. minimum.
 The exterior surfaces of the floor drains shall be coated or pigmented by the manufacturer with a color that matches the concrete.
 The clamping device and inserts shall be galvanized according to AASHTO M 232. Cost of clamping device and galvanizing included with Floor Drains.



SECTION THRU MEDIAN

*Core and set #5 c(E) bars according to Article 509.06 of the Standard Specifications. Cored holes shall be roughened or scored per manufacturer's recommendations. Maximum depth of hole shall not exceed 5 1/2".



COMPANY NAME: SEC GROUP, INC.
 PROJECT CONTACT: Robert L. G. Davies
 CLIENT: ILLINOIS DEPARTMENT OF TRANSPORTATION
 DATE PLOTTED: 10/14/2011 11:09:20 AM
 FILE NAME: 0470051-58001.dgn
 PLOT DRIVER: pdfr21
 PEN TABLE: Structure 22x34.tbl

SEC Group, Inc.
 An M/I Group Company
 430 N. First Street
 Moline, IL 62950-2138
 L 815.385.1778 F 815.385.1781
 www.secgroup.com

PB Americas, Inc.
 230 WEST MONROE STREET,
 SUITE 900
 CHICAGO, IL 60606

USER NAME = whood	DESIGNED - MGH	REVISED -
PLOT SCALE =	CHECKED - SSM	REVISED -
PLOT DATE = 10/14/2011	DRAWN - WJH	REVISED -
	CHECKED - RGD	REVISED -

**STATE OF ILLINOIS
 DEPARTMENT OF TRANSPORTATION**

**SUPERSTRUCTURE DETAILS
 STRUCTURE NO. 047-0051
 SHEET NO. S-14 OF S-43 SHEETS**

F.A.P. RTE.	SECTION	COUNTY	TOTAL SHEETS	SHEET NO.
591	14BR-1	KENDALL	429	264
				CONTRACT NO. 66985
ILLINOIS FED. AID PROJECT				