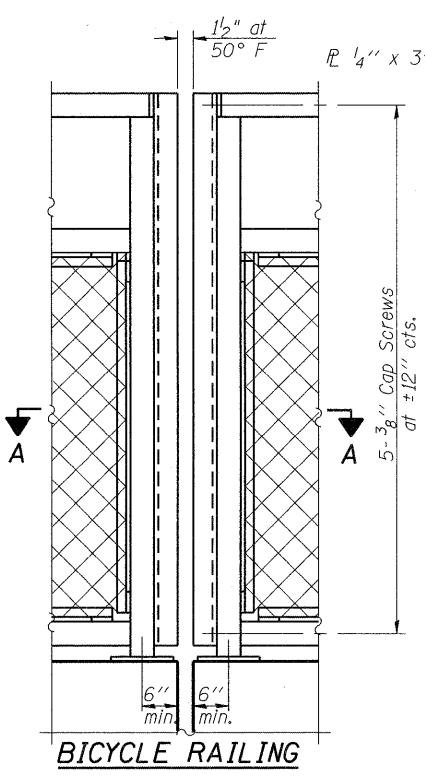
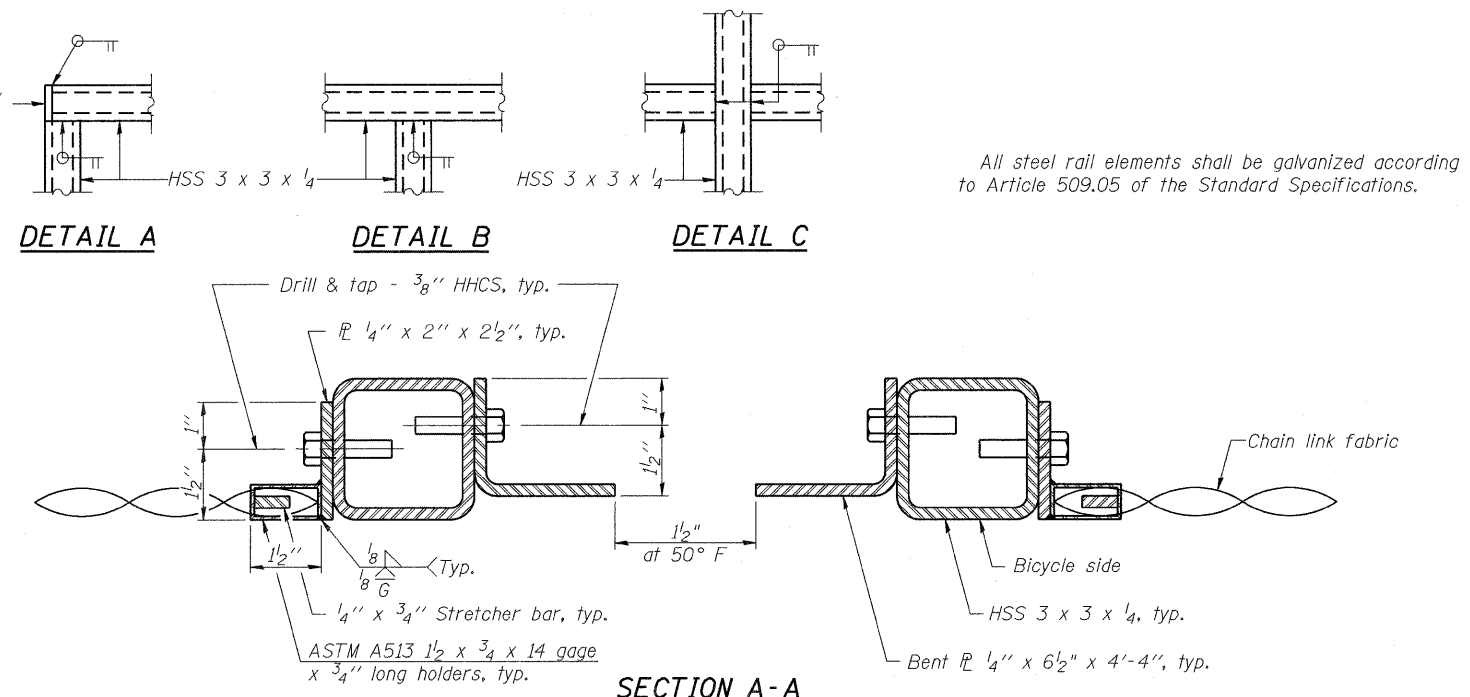


BICYCLE RAILING

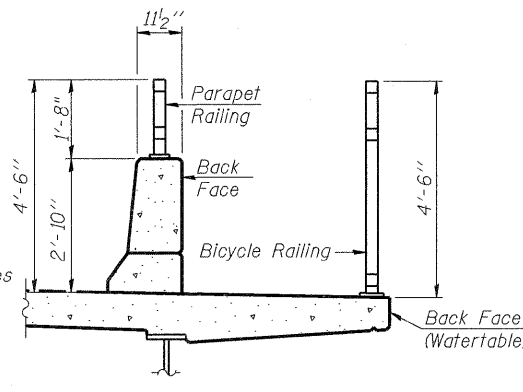


BICYCLE RAILING

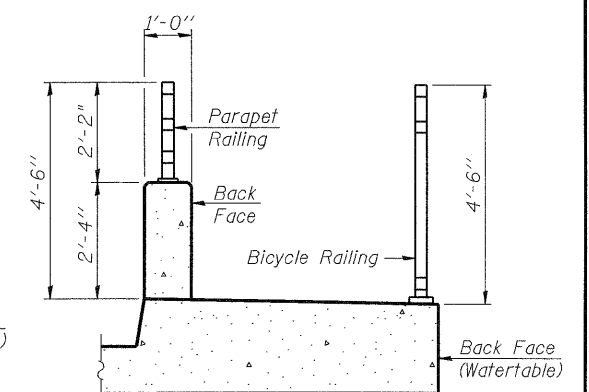


All steel rail elements shall be galvanized according to Article 509.05 of the Standard Specifications.

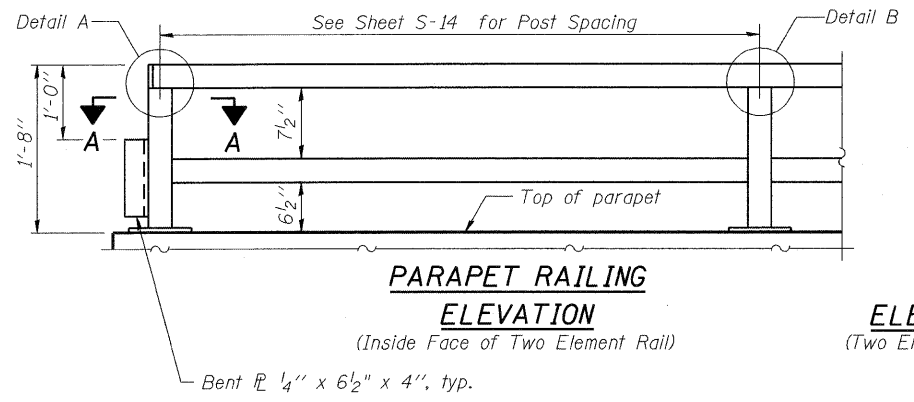
SECTION A-A



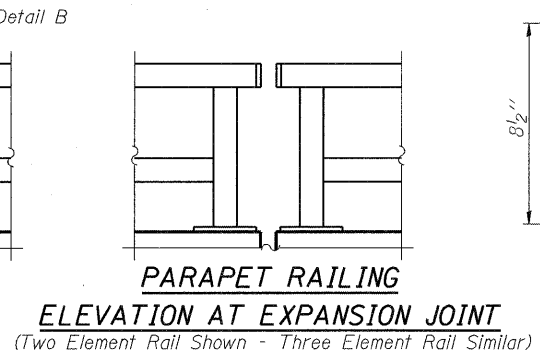
SECTION THRU DECK



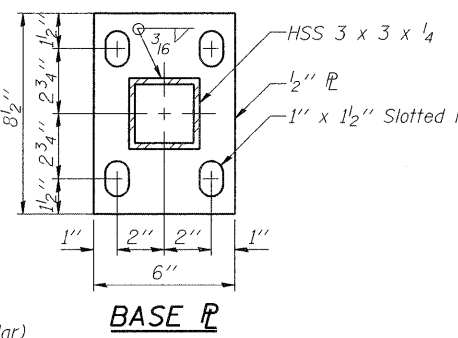
SECTION THRU SIDEWALK



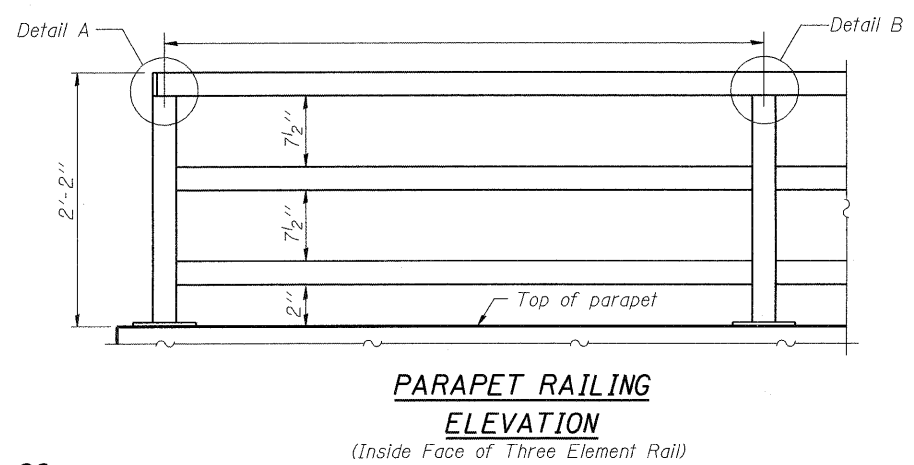
PARAPET RAILING ELEVATION
(Inside Face of Two Element Rail)



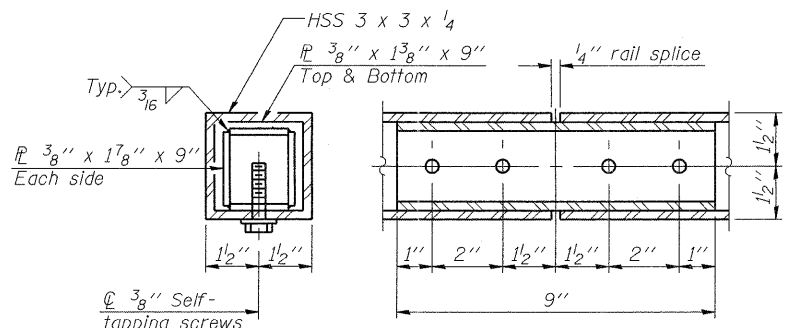
PARAPET RAILING ELEVATION AT EXPANSION JOINT
(Two Element Rail Shown - Three Element Rail Similar)



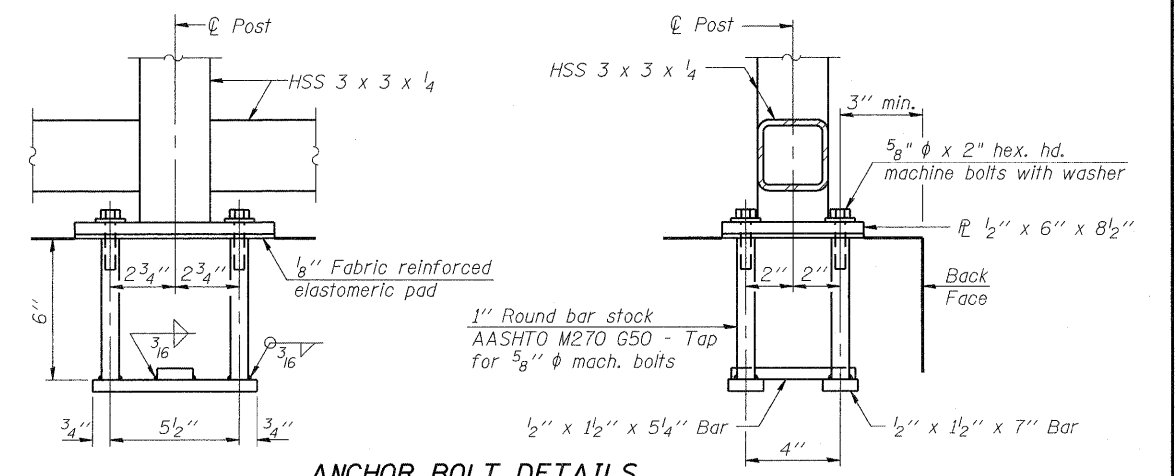
BASE PLATE



PARAPET RAILING ELEVATION
(Inside Face of Three Element Rail)



RAIL SPLICE



ANCHOR BOLT DETAILS

In lieu of the cast-in-place anchor device shown, the Contractor has the option of drilling and setting 5/8" φ anchor rods according to Article 509.06 of the Standard Specifications. Embedment shall be according to the manufacturer's specifications.

BILL OF MATERIAL

Item	Unit	Quantity
Bicycle Railing	Foot	222
Parapet Railing	Foot	222

COMPANY NAME: SEC GROUP, INC.
PROJECT CONTACT: Robert F. G. Davies
CLIENT: ILLINOIS DEPARTMENT OF TRANSPORTATION
DATE PLOTTED: 10/14/2011 11:09:40 AM
FILE NAME: 010551-Frd.dgn
PLOT NUMBER: 1
PEN TABLE: STRUCT_20x34.tbl

R-29 7-1-10
SEC Group, Inc.
230 WEST MONROE STREET, SUITE 900 CHICAGO, IL. 60606

USER NAME = whood	DESIGNED - MGH	REVISED -
PLOT SCALE =	CHECKED - SSM	REVISED -
PLOT DATE = 10/14/2011	DRAWN - WJH	REVISED -
	CHECKED - RGD	REVISED -

STATE OF ILLINOIS DEPARTMENT OF TRANSPORTATION

BICYCLE RAILING STRUCTURE NO. 047-0051
SHEET NO. S-18 OF S-43 SHEETS

F.A.P. RTE. 591	SECTION 14BR-1	COUNTY KENDALL	TOTAL SHEETS 429	SHEET NO. 268
			CONTRACT NO. 66985	
(ILLINOIS) FED. AID PROJECT				