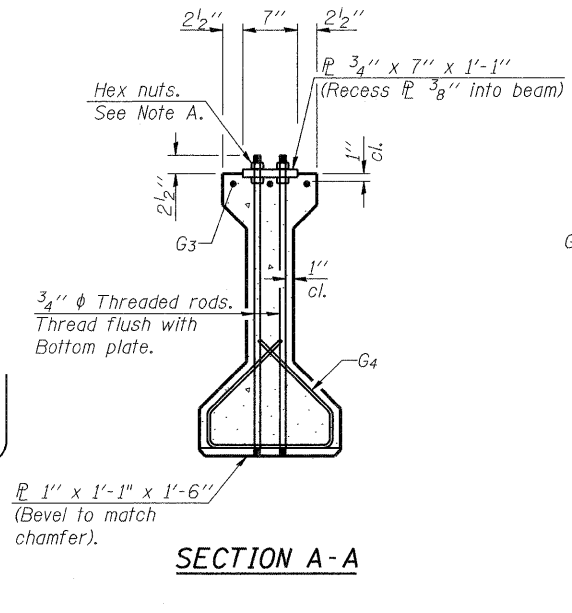


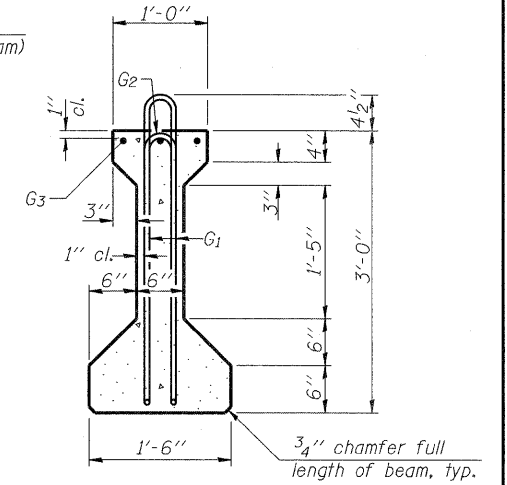
**ELEVATION OF BEAM**  
(Showing reinforcement & dimensions)

\* 3 spaces at 3" = 9".  
\*\* 4-3/4"  $\phi$  threaded dowel rods at 3" cts., Each Face

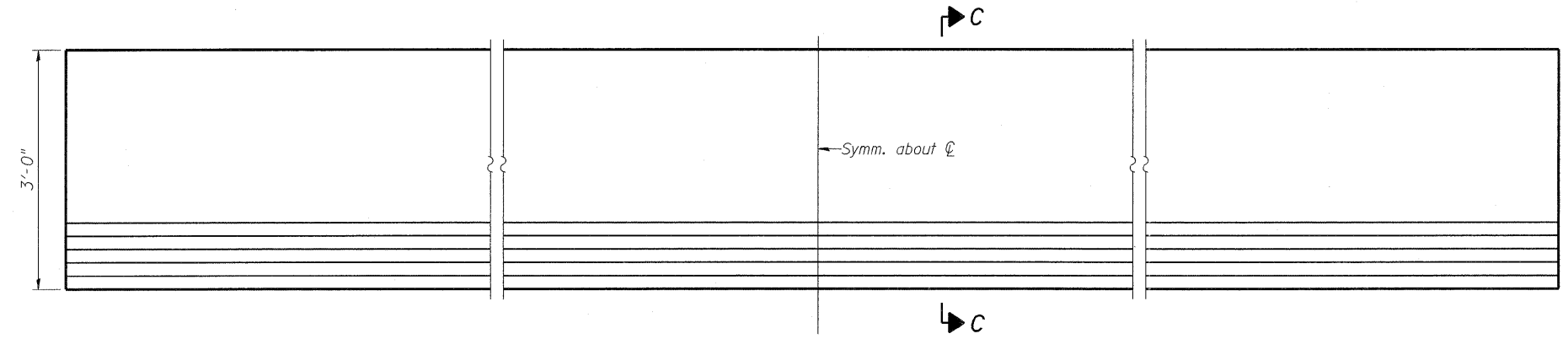


**SECTION A-A**

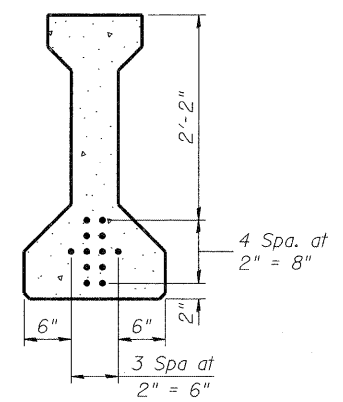
Note A:  
Hex nuts (top and bottom) with lock washers (top). Only tighten sufficiently to compress lock washers.



**SECTION B-B**



**ELEVATION OF BEAM**  
(Showing prestressing steel)



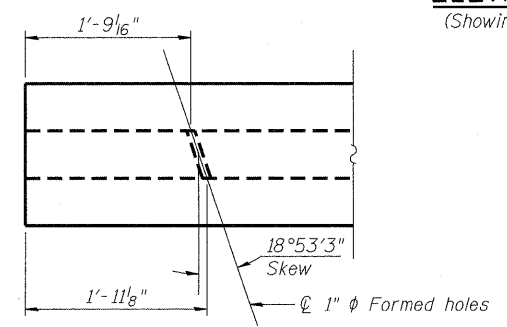
**SECTION C-C**

2-Strands 2" up  
2-Strands 4" up  
4-Strands 6" up  
2-Strands 8" up  
2-Strands 10" up

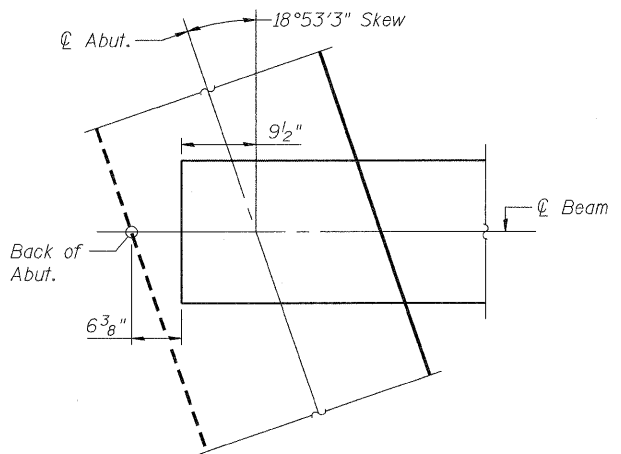
**\*\*\*BAR LIST  
ONE BEAM ONLY**

Bar	No.	Size	Length	Shape
G <sub>1</sub>	49	#4	7'-5"	U
G <sub>2</sub>	8	#4	5'-8"	U
G <sub>3</sub> (Span 1)	6	#5	50'-6"	—
G <sub>3</sub> (Span 3)	6	#5	50'-5"	—
G <sub>4</sub>	38	#3	4'-1"	U
G <sub>6</sub>	2	#8	6'-6"	U

\*\*\*For information only  
Notes:  
See sheet S-24 for additional details and Bill of Material.  
Required release strength, f'ci, shall be 5,000 psi.



**PLAN  
END OF BEAM AT ABUT.**



**Detail C**  
(Typ. for all beams)

COMPANY NAME: SEC GROUP, INC.  
PROJECT CONTACT: Robert T. G. Davies  
CLIENT: ILLINOIS DEPARTMENT OF TRANSPORTATION  
DATE PLOTTED: 10/19/2011 10:06 AM  
PLOT NUMBER: 047-0051-0004.dgn  
PEN TABLE: Structure 23,34.tbl

**SEC Group, Inc.**  
An HSI Group Company  
420 N. Front Street,  
Maitland, FL 32751-2908  
1-813-385-1778 F-813-385-1781  
www.secgroupinc.com

**PB Americas, Inc.**  
230 WEST MONROE STREET,  
SUITE 900  
CHICAGO, IL. 60606

USER NAME = whood	DESIGNED - MGH	REVISED -
PLOT SCALE =	CHECKED - SSM	REVISED -
PLOT DATE = 10/14/2011	DRAWN - RCB	REVISED -
	CHECKED - RGD	REVISED -

**STATE OF ILLINOIS  
DEPARTMENT OF TRANSPORTATION**

**PRESTRESSED BEAM DETAILS - 36" 12SU  
STRUCTURE NO. 047-0051**  
SHEET NO. S-23 OF S-43 SHEETS

F.A.P. RTE.	SECTION	COUNTY	TOTAL SHEETS	SHEET NO.
591	14BR-1	KENDALL	429	273
CONTRACT NO. 66985			[ILLINOIS] FED. AID PROJECT	