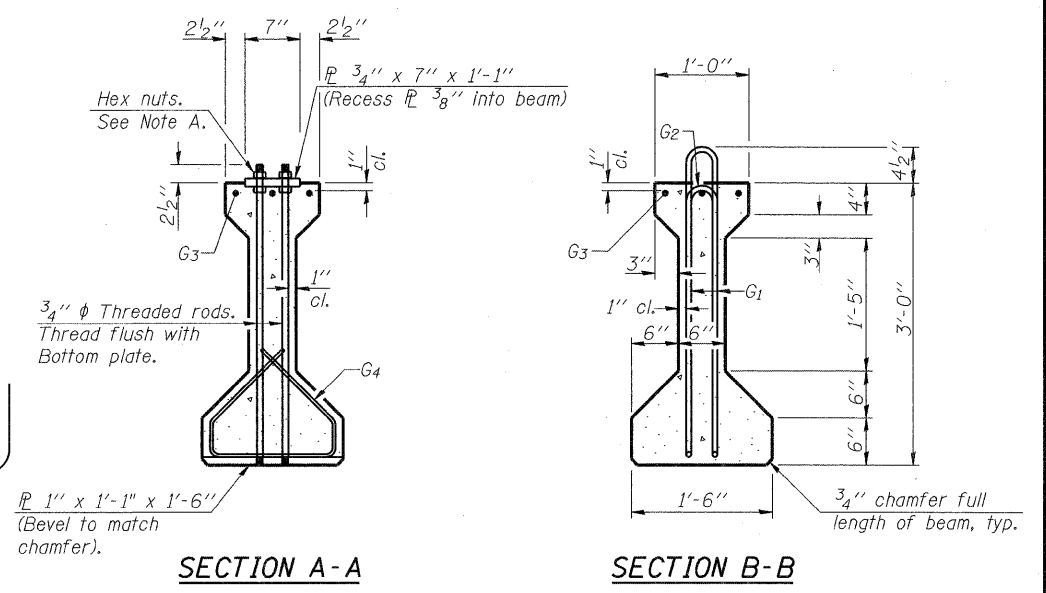


ELEVATION OF BEAM
(Showing reinforcement & dimensions)

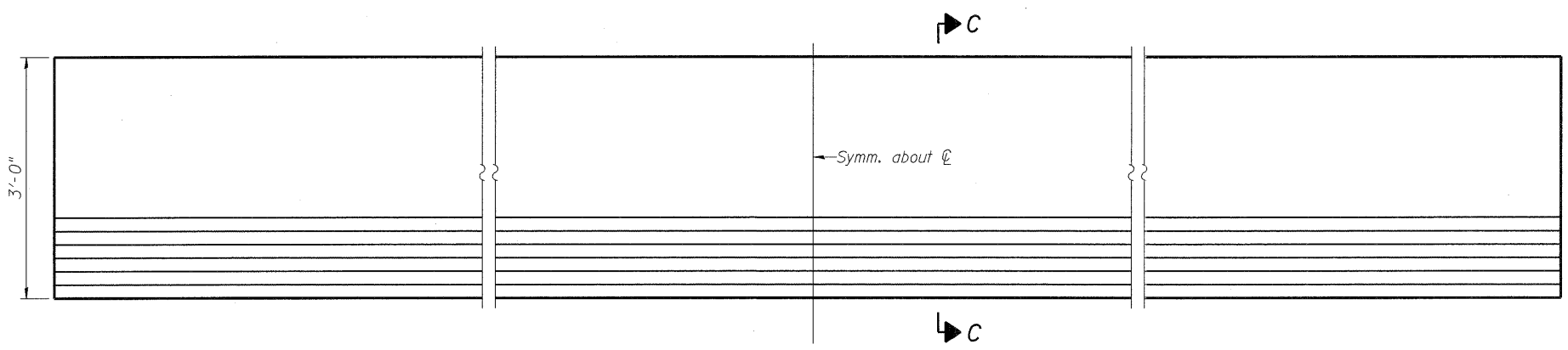
* 3 spaces at 3" = 9".
** 4-3/4" φ threaded dowel rods at 3" cts., Each Face

Note A:
Hex nuts (top and bottom) with lock washers (top). Only tighten sufficiently to compress lock washers.

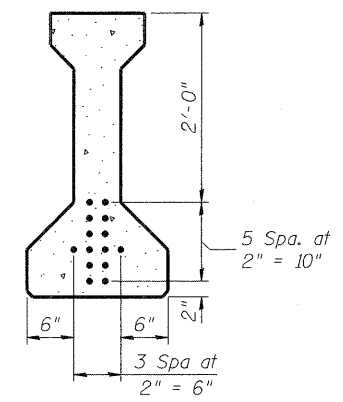


SECTION A-A

SECTION B-B



ELEVATION OF BEAM
(Showing prestressing steel)



SECTION C-C

2-Strands 2" up
2-Strands 4" up
4-Strands 6" up
2-Strands 8" up
2-Strands 10" up
2-Strands 12" up

*****BAR LIST
ONE BEAM ONLY**

Bar	No.	Size	Length	Shape
G ₁	59	#4	7'-5"	⌒
G ₂	8	#4	5'-8"	⌒
G ₃	6	#5	29'-10"	—
G ₄	38	#3	4'-1"	⌒
G ₆	4	#8	6'-6"	⌒

***For information only

Notes:
See sheet S-26 for additional details and Bill of Material.
Required release strength, f'ci, shall be 5,000 psi.

COMPANY NAME: SEC GROUP, INC.
PROJECT CONTACT: Robert G. Davies
CLIENT: ILLINOIS DEPARTMENT OF TRANSPORTATION
DATE PLOTTED: 10/14/2011 11:02:42 AM
FILE NAME: 0470051-PB03.dgn
PLOT DRIVER: pdt2pt
PEN TABLE: Struct_2004.tbl

SEC Group, Inc.
An HR Green Company
420 N. First Street,
Mokena, IL 60450-2136
L 815.385.1778 F 815.385.1791
www.secgroup.com

PB Americas, Inc.
230 WEST MONROE STREET,
SUITE 900
CHICAGO, IL. 60606

USER NAME = whood	DESIGNED - MGH	REVISIONS -
	CHECKED - SSM	REVISIONS -
PLOT SCALE =	DRAWN - RCB	REVISIONS -
PLOT DATE = 10/14/2011	CHECKED - RGD	REVISIONS -

**STATE OF ILLINOIS
DEPARTMENT OF TRANSPORTATION**

**PRESTRESSED BEAM DETAILS - 36" 14SU
STRUCTURE NO. 047-0051**
SHEET NO. S-25 OF S-43 SHEETS

F.A.P. RTE. 591	SECTION 14BR-1	COUNTY KENDALL	TOTAL SHEETS 429	SHEET NO. 275
			CONTRACT NO. 66985	
ILLINOIS FED. AID PROJECT				