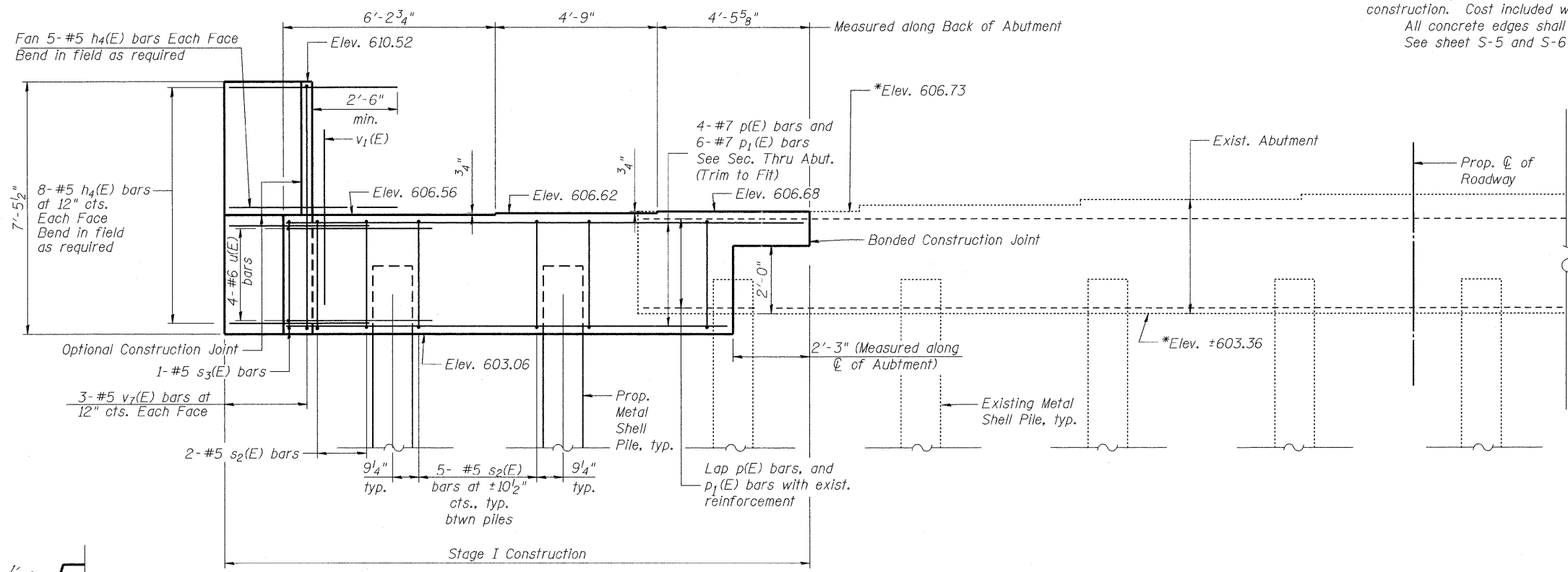
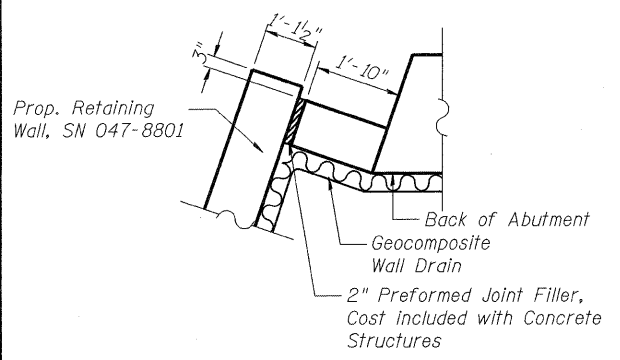


Notes:
 Pour steps monolithically with cap.
 For details of piles see sheet S-39.
 Existing reinforcement shall be cleaned and incorporated into the new construction. Cost included with Concrete Removal.
 All concrete edges shall have standard 3/4" chamfer.
 See sheet S-5 and S-6 for Concrete Removal details.

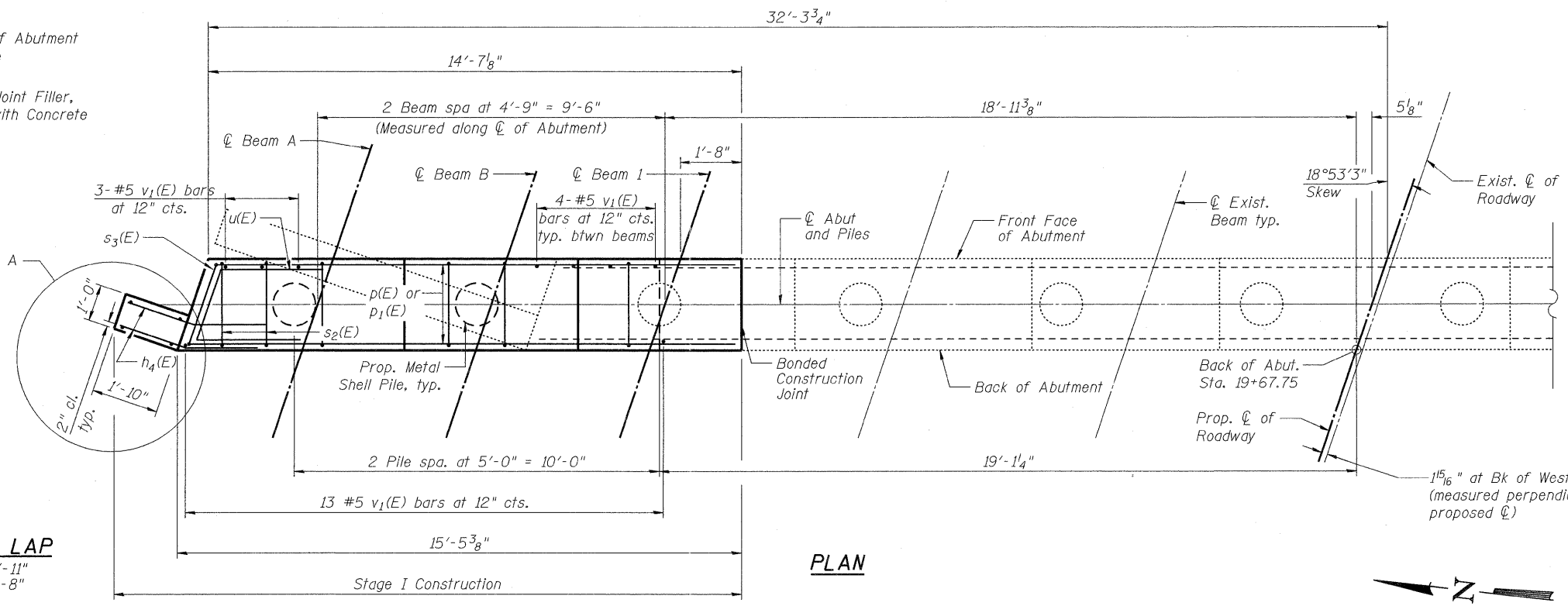


ELEVATION
 (Looking East)

* Elevations based on Existing Plans by Hazelet & Endal, Inc. Contractor to verify in field.



DETAIL A



PLAN

MIN. BAR LAP
 #5 bar 2'-11"
 #8 bar 4'-8"

COMPANY NAME: SEC GROUP, INC.
 PROJECT CONTACT: Robert L. & Davies
 CLIENT: ILLINOIS DEPARTMENT OF TRANSPORTATION
 DATE PLOTTED: 10/24/2011 10:09 AM
 FILE NAME: 07/26/09-14801.dgn
 PLOT NUMBER: 22x34.1b1
 PEN TABLE:

SEC Group, Inc.
 An HR Group Company
 420 N. Front Street
 Chicago, IL 60610-2138
 T 815.385.1778 F 815.385.1781
 www.secgroup.com

PB Americas, Inc.
 230 WEST MONROE STREET,
 SUITE 900
 CHICAGO, IL. 60606

USER NAME = whood	DESIGNED - JPG	REVISED -
PLOT SCALE =	CHECKED - SSM	REVISED -
PLOT DATE = 10/14/2011	DRAWN - WJH	REVISED -
	CHECKED - RGD	REVISED -

STATE OF ILLINOIS
DEPARTMENT OF TRANSPORTATION

WEST ABUTMENT
STRUCTURE NO. 047-0051
 SHEET NO. S-27 OF S-43 SHEETS

F.A.P. RTE.	SECTION	COUNTY	TOTAL SHEETS	SHEET NO.
591	148R-1	KENDALL	429	277
CONTRACT NO. 66985			ILLINOIS FED. AID PROJECT	