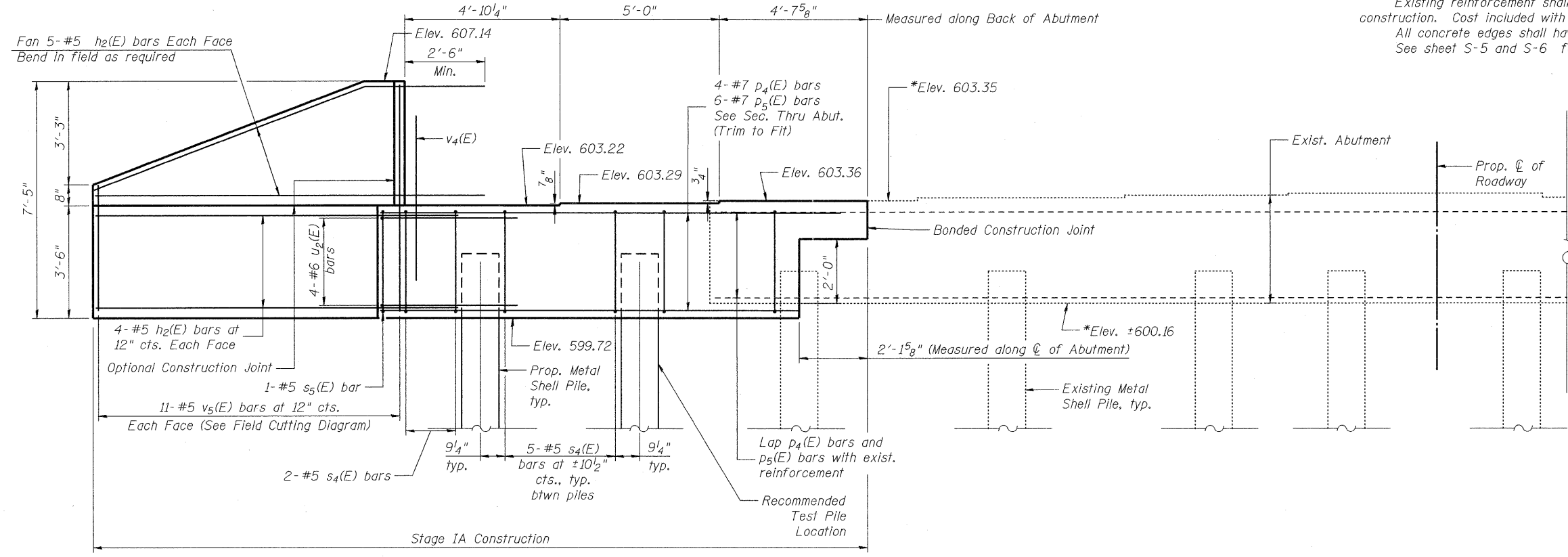
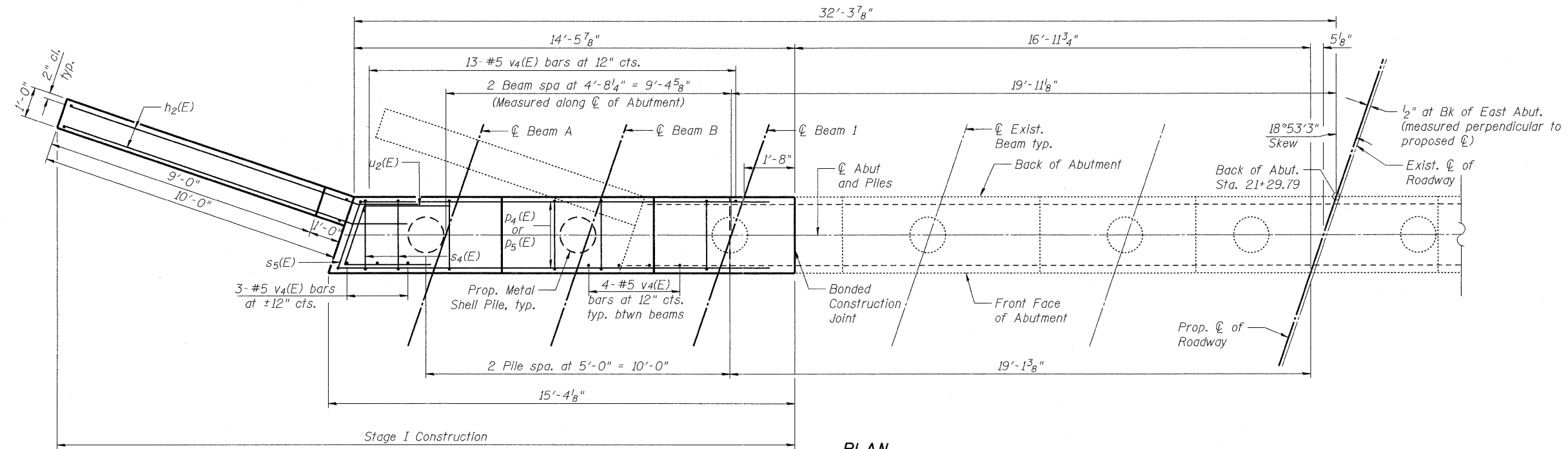


Notes:
 Pour steps monolithically with cap.
 For details of piles see sheet S-39.
 Existing reinforcement shall be cleaned and incorporated into the new construction. Cost included with Concrete Removal.
 All concrete edges shall have standard 3/4" chamfer.
 See sheet S-5 and S-6 for Concrete Removal details.



* Elevations based on Existing Plans by Hazelet & Endal, Inc. Contractor to verify in field.

ELEVATION
 (Looking East)



PLAN

MIN. BAR LAP
 #5 bar 2'-11"
 #8 bar 4'-8"

COMPANY NAME: SEC GROUP, INC.
 PROJECT CONTACT: Robert G. Davies
 CLIENT: ILLINOIS DEPARTMENT OF TRANSPORTATION
 FILE NAME: 07/26/14-14003 AM
 PLOT DATE: 07/26/14-14003 AM
 PEN TABLE: Struct 22,34,151

SEC Group, Inc.
 An HNTB Group Company
 420 N. Front Street,
 Maitland, FL 32751-2138
 L 813.385.1778 F 813.385.1781
 www.secgroup.com

PB Americas, Inc.
 230 WEST MONROE STREET,
 SUITE 900
 CHICAGO, IL 60606

USER NAME = whood	DESIGNED - JPG	REVISED -
PLOT SCALE =	CHECKED - SSM	REVISED -
PLOT DATE = 18/14/2011	DRAWN - WJH	REVISED -
	CHECKED - RGD	REVISED -

**STATE OF ILLINOIS
 DEPARTMENT OF TRANSPORTATION**

**EAST ABUTMENT
 STRUCTURE NO. 047-0051**

SHEET NO. S-30 OF S-43 SHEETS

F.A.P. RTE.	SECTION	COUNTY	TOTAL SHEETS	SHEET NO.
591	14BR-1	KENDALL	429	280
CONTRACT NO. 66985				
ILLINOIS FED. AID PROJECT				