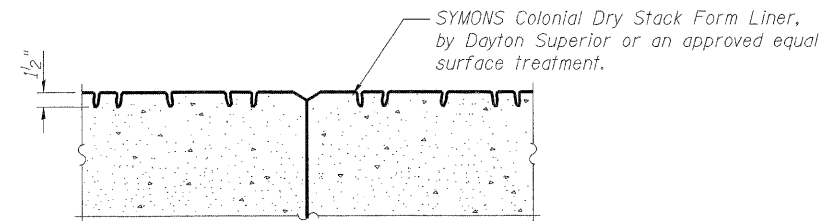
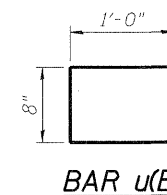


**ELEVATION - TYPICAL SURFACE TREATMENT**

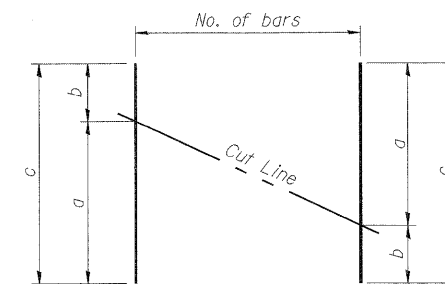
(Front Face of Wall)



**SURFACE TREATMENT DETAIL**



**BAR u(E)**



**BAR CUTTING DIAGRAM**

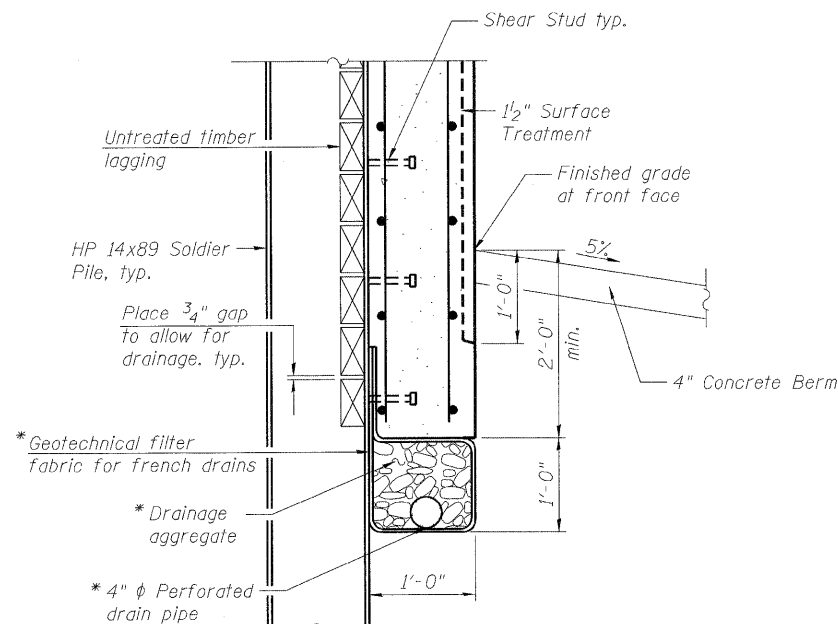
Order v(E), v<sub>1</sub>(E) and v<sub>5</sub>(E) bars full length. Cut as shown and use remainder of bars in opposite face.

**DIMENSIONS**

Bar	No.	a	b	c
v(E)	19	5'-6"	3'-10"	9'-4"
v <sub>1</sub> (E)	31	8'-5"	5'-6"	13'-11"
v <sub>5</sub> (E)	31	10'-9"	3'-10"	14'-7"

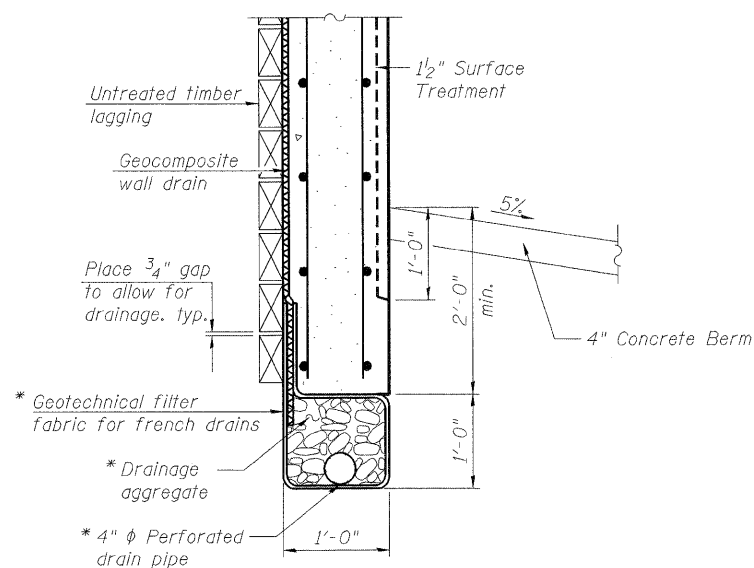
**BILL OF MATERIAL**

Bar	No.	Size	Length	Shape
h(E)	14	#5	20'-8"	—
h <sub>1</sub> (E)	72	#5	29'-10"	—
h <sub>2</sub> (E)	136	#5	32'-11"	—
h <sub>3</sub> (E)	16	#5	30'-11"	—
u(E)	90	#5	2'-8"	U
v(E)	19	#5	9'-4"	—
v <sub>1</sub> (E)	31	#5	13'-11"	—
v <sub>2</sub> (E)	186	#5	9'-3"	—
v <sub>3</sub> (E)	186	#5	10'-1"	—
v <sub>4</sub> (E)	124	#5	10'-9"	—
v <sub>5</sub> (E)	31	#5	14'-7"	—
Stud Shear Connectors	Each		314	
Reinforcement Bars, Epoxy Coated	Pound		14230	
Concrete Structures	Cu. Yd.		123.7	
Driving Soldier Piles	Foot		1376	
Furnishing Soldier Piles (HP Section)	Foot		1376	
Geocomposite Wall Drain	Sq. Yd.		153	
Untreated Timber Lagging	Sq. Ft.		1935	
Pipe Underdrains for Structures 4"	Foot		318	



**PIPE UNDERDRAIN  
DETAIL AT SOLDIER PILE**

\*Included in the cost of Pipe Underdrains for Structures.



**PIPE UNDERDRAIN DETAIL  
BETWEEN SOLDIER PILES**

STATE OF ILLINOIS  
DEPARTMENT OF TRANSPORTATION

SECTIONS AND DETAILS  
STRUCTURE NO. 047-8800

SHEET NO. 7 OF 13 SHEETS

F.A.P. RTE.	SECTION	COUNTY	TOTAL SHEETS	SHEET NO.
591	13R-2;14R-1 & BR-1(1);15R-1	KENDALL	429	300
				CONTRACT NO. 66985
ILLINOIS FED. AID PROJECT				