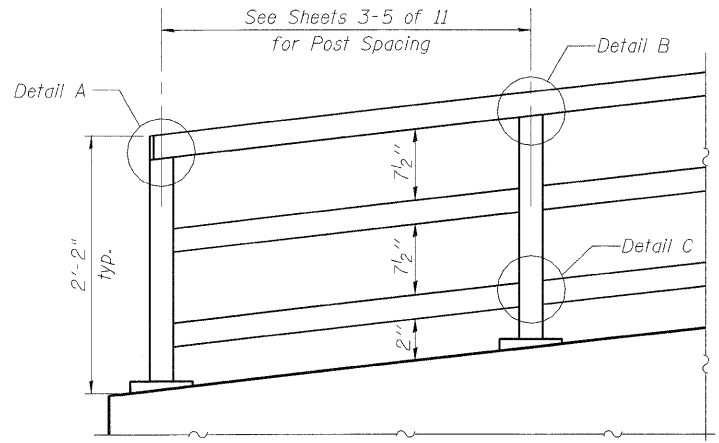
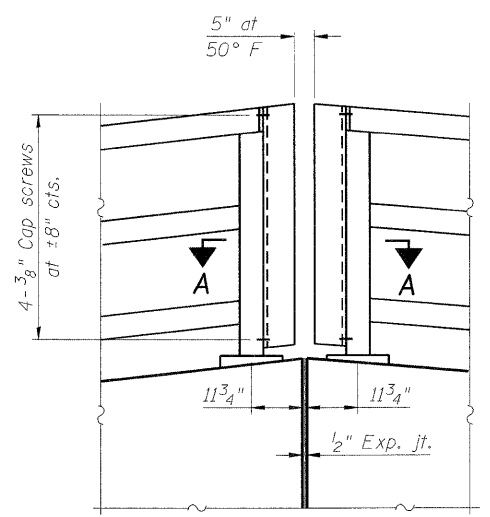


Note:  
All steel rail elements shall be galvanized according to Article 509.05 of the Standard Specifications.



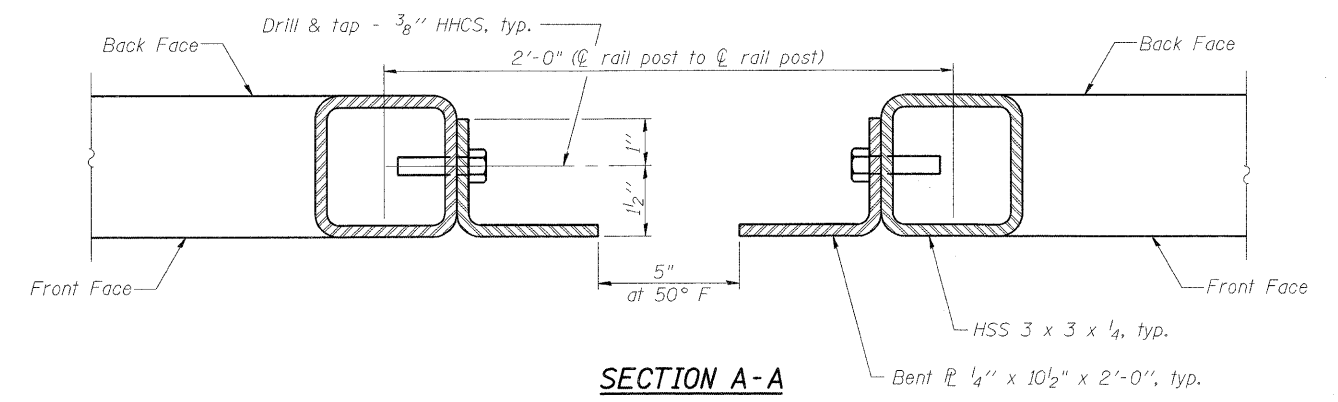
**PARAPET RAILING  
ELEVATION**

(Looking @ F.F. of wall)  
(Begin of wall shown. End of wall similar.)

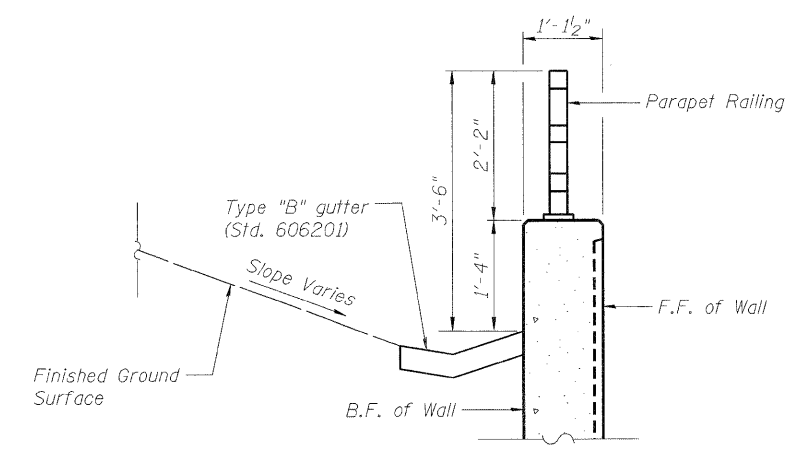


**PARAPET RAILING  
ELEVATION AT EXPANSION JOINT**

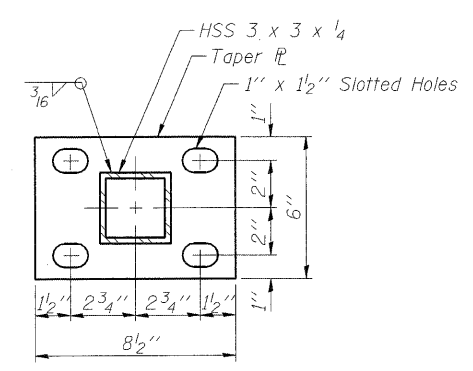
(Looking @ F.F. of wall)  
(Work point 3 shown. Work points 6 & 9 similar.)



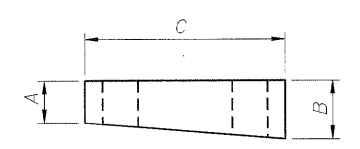
**SECTION A-A**



**SECTION THRU WALL**

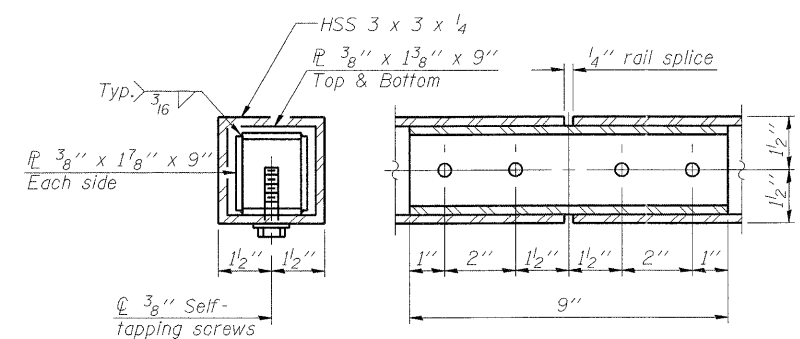


**PLAN**



**ELEVATION**

**TAPER BASE PLATE DETAILS**

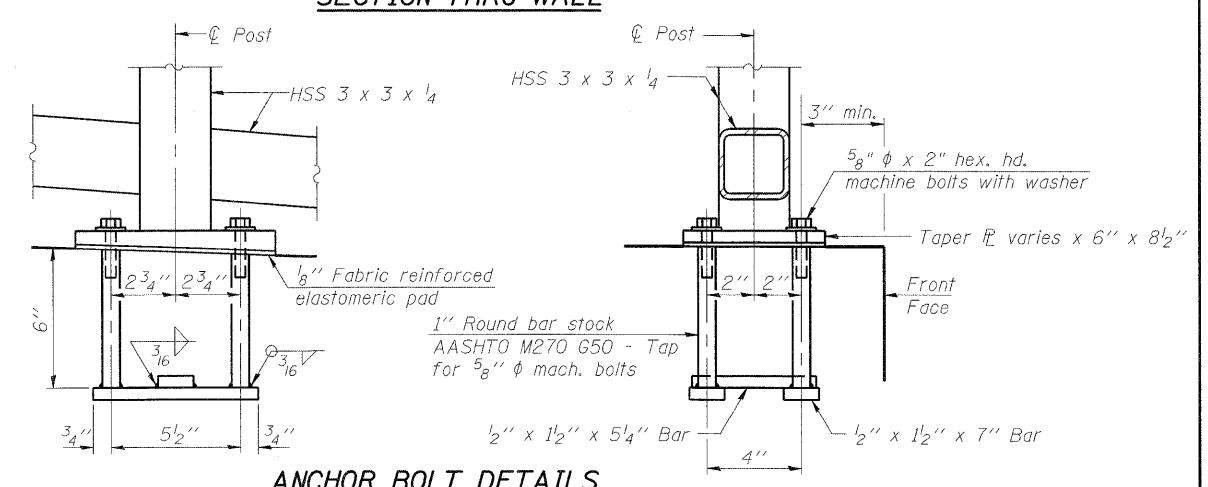


**RAIL SPLICE**

**TAPER PLATE DIMENSIONS**

Plate Location	A	B	C
WP 1 - WP 3	1/2"	1"	8 1/2"
WP 3 - WP 11	1/2"	7/8"	8 1/2"
WP 11 - WP 12	1/2"	2 3/4"	8 1/2"

Note:  
For work point locations, see sheet 2 of 13.



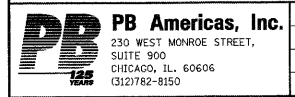
**ANCHOR BOLT DETAILS**

In lieu of the cast-in-place anchor device shown, the Contractor has the option of drilling and setting 5/8" anchor rods according to Article 509.06 of the Standard Specifications. Embedment shall be according to the manufacturer's specifications.

**BILL OF MATERIAL**

Item	Unit	Quantity
Parapet Railing	Foot	319

T:\16829-PrairiePkwy-Ph2\Struct\Cadd\Prefinal\US64 Retaining Wall 110478800-66985-008-R29.dgn 05-MAY-2011 10:31



FILE NAME = 0478800-66985-008-R29.dgn	DESIGNED - Y. Ail	REVISED -
PLOT SCALE = NONE	CHECKED - M. Shalkh	REVISED -
PLOT DATE = 5/5/2011	DRAWN - H. Alkhatib	REVISED -
	CHECKED - J. GRAINAWI	REVISED -

**STATE OF ILLINOIS  
DEPARTMENT OF TRANSPORTATION**

**PARAPET RAILING  
STRUCTURE NO. 047-8800**  
SHEET NO. 8 OF 13 SHEETS

F.A.P. RTE.	SECTION	COUNTY	TOTAL SHEETS	SHEET NO.
591	13R-2;14R-1 & BR-1(1);15R-1	KENDALL	429	301
				CONTRACT NO. 66985
ILLINOIS FED. AID PROJECT				