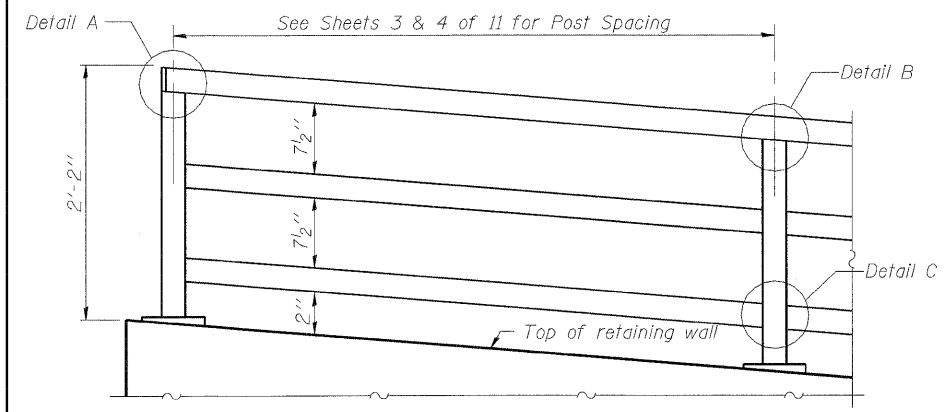
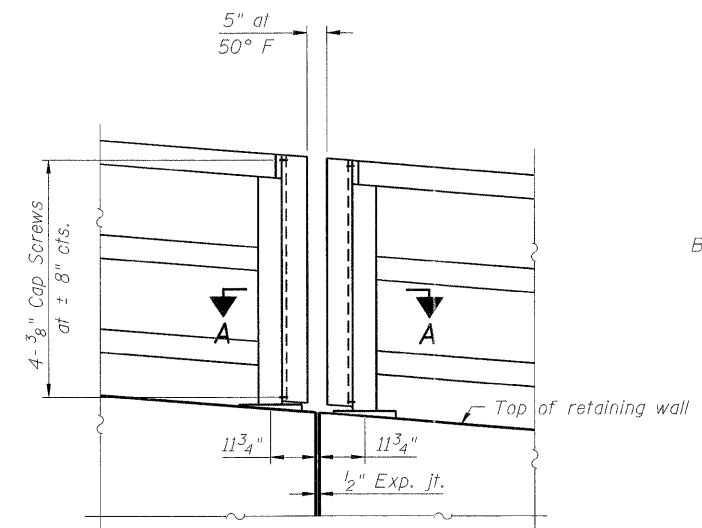


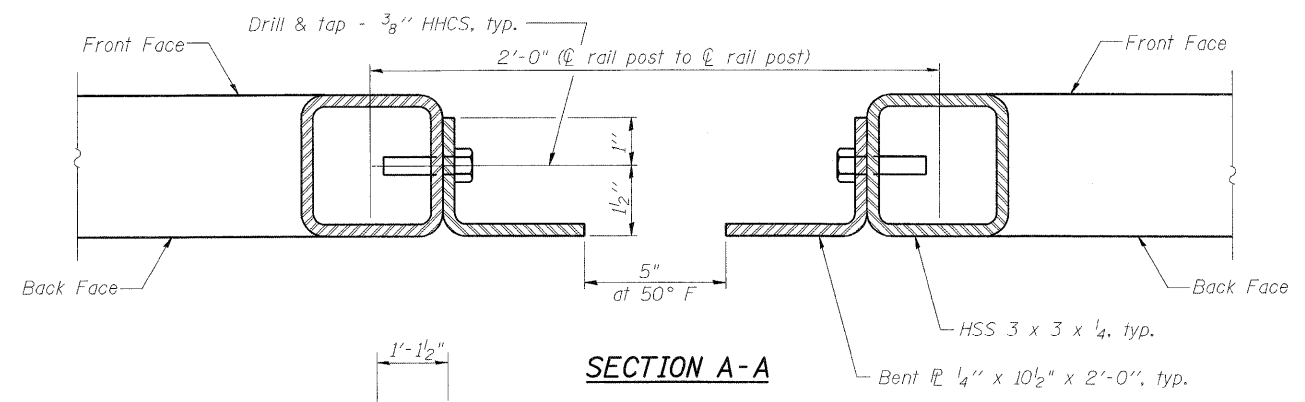
Note:
All steel rail elements shall be galvanized according to Article 509.05 of the Standard Specifications.



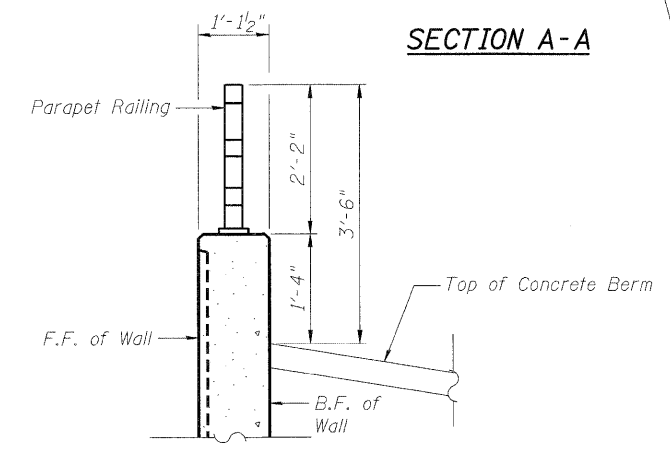
**PARAPET RAILING
ELEVATION**
(Looking @ B.F. of wall)



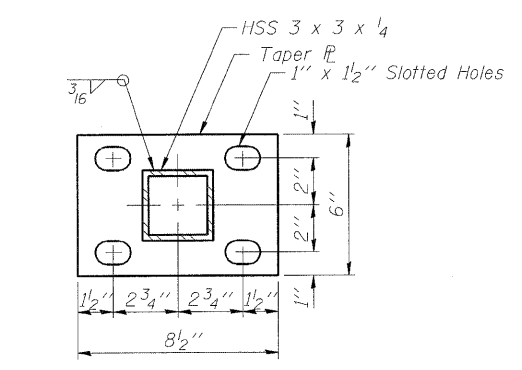
**PARAPET RAILING
ELEVATION AT EXPANSION JOINT**
(Looking @ B.F. of wall)



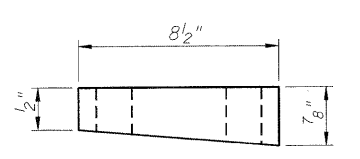
SECTION A-A



SECTION THRU WALL

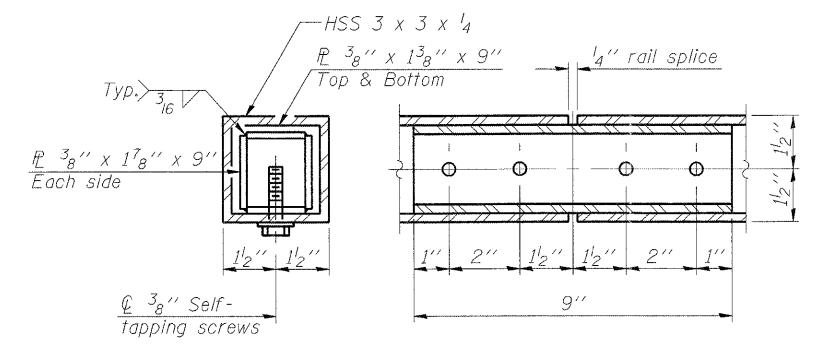


PLAN

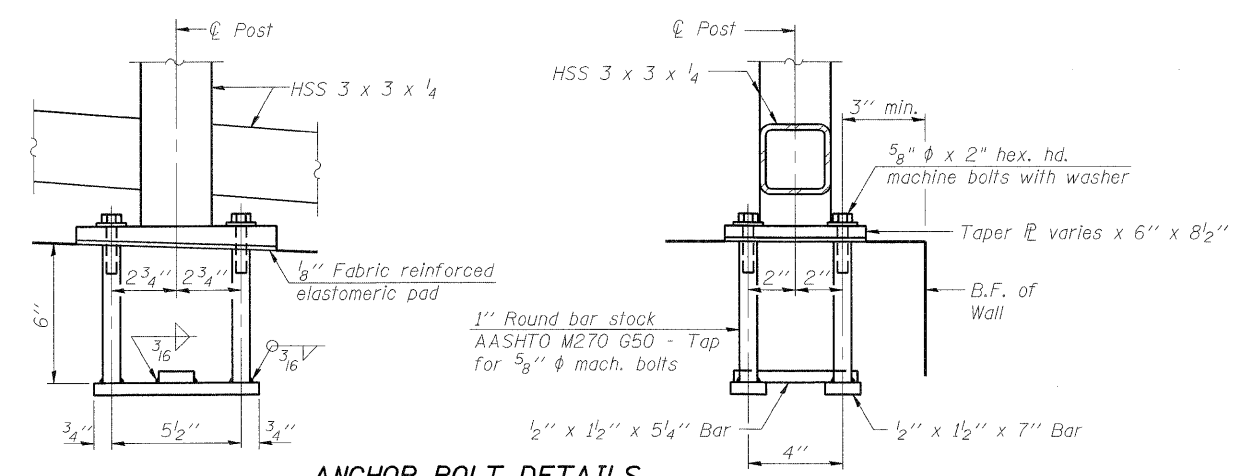


ELEVATION

TAPER BASE PLATE DETAILS



RAIL SPLICE



ANCHOR BOLT DETAILS

In lieu of the cast-in-place anchor device shown, the Contractor has the option of drilling and setting 5/8" ∅ anchor rods according to Article 509.06 of the Standard Specifications. Embedment shall be according to the manufacturer's specifications.

BILL OF MATERIAL

Item	Unit	Quantity
Parapet Railing	Foot	185

T:\16829-PrairiePkwy-Ph2\Struct\Cadd\Prefinal\US34 Retaining Wall 2\0478801-66985-007-R29.dgn 05-MAY-2011 10:34

PB Americas, Inc.
230 WEST MONROE STREET,
SUITE 900
CHICAGO, IL 60606
(312)782-8150

FILE NAME = 0478801-66985-007-R29.dgn	DESIGNED - S. CHELBIAN	REVISED -
PLOT SCALE = NONE	CHECKED - M. Shalkh	REVISED -
PLOT DATE = 5/5/2011	DRAWN - D. C. PATEL	REVISED -
	CHECKED - J. GRAINAWI	REVISED -

**STATE OF ILLINOIS
DEPARTMENT OF TRANSPORTATION**

**PARAPET RAILING
STRUCTURE NO. 047-8801**
SHEET NO. 7 OF 11 SHEETS

F.A.P. RTE.	SECTION	COUNTY	TOTAL SHEETS	SHEET NO.
591	13R-2;14R-1 & BR-1(1);15R-1	KENDALL	429	313
CONTRACT NO. 66985				
ILLINOIS FED. AID PROJECT				