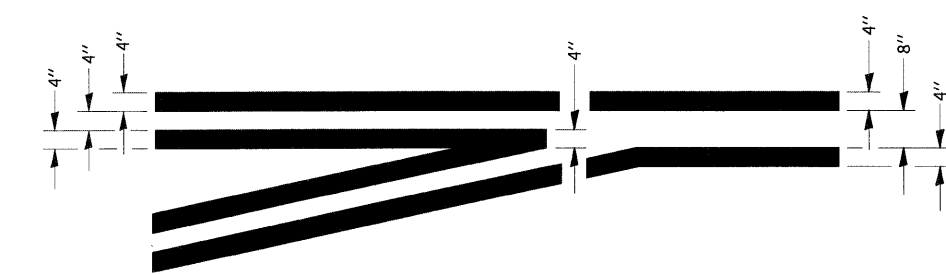
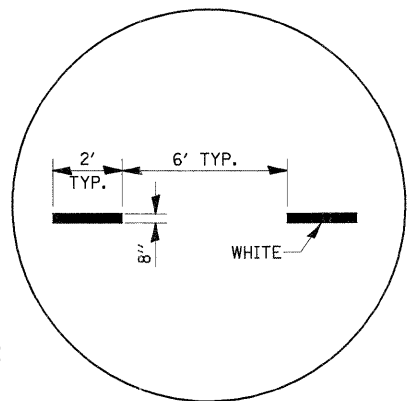


780-19



**TYPICAL APPLICATION
@ LEFT TURN LANES**

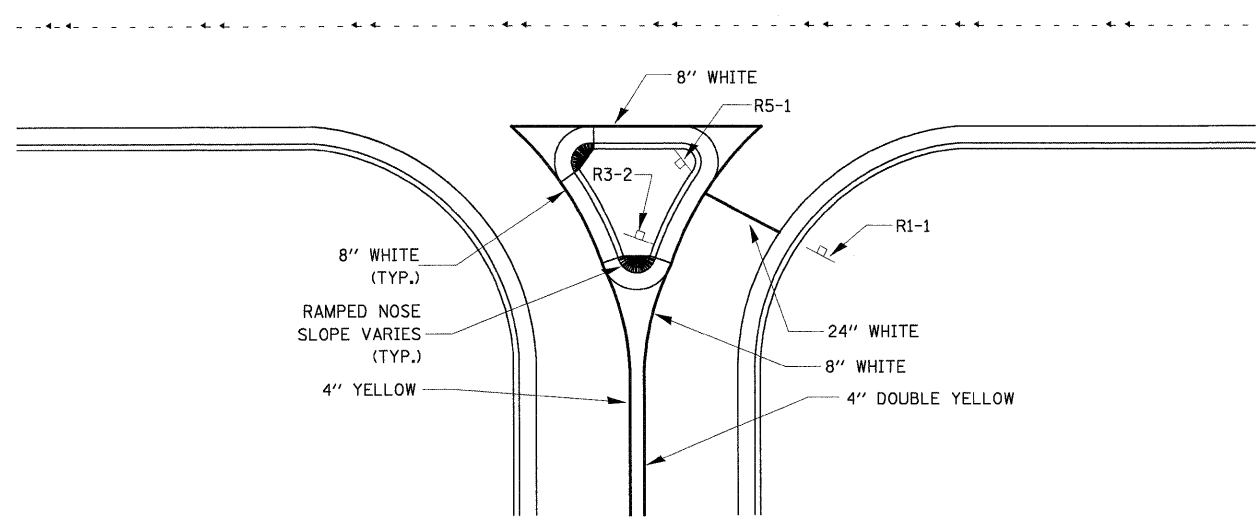
780-1



**ADVANCE AND INTERSECTION LANE
DIVIDER LINES**

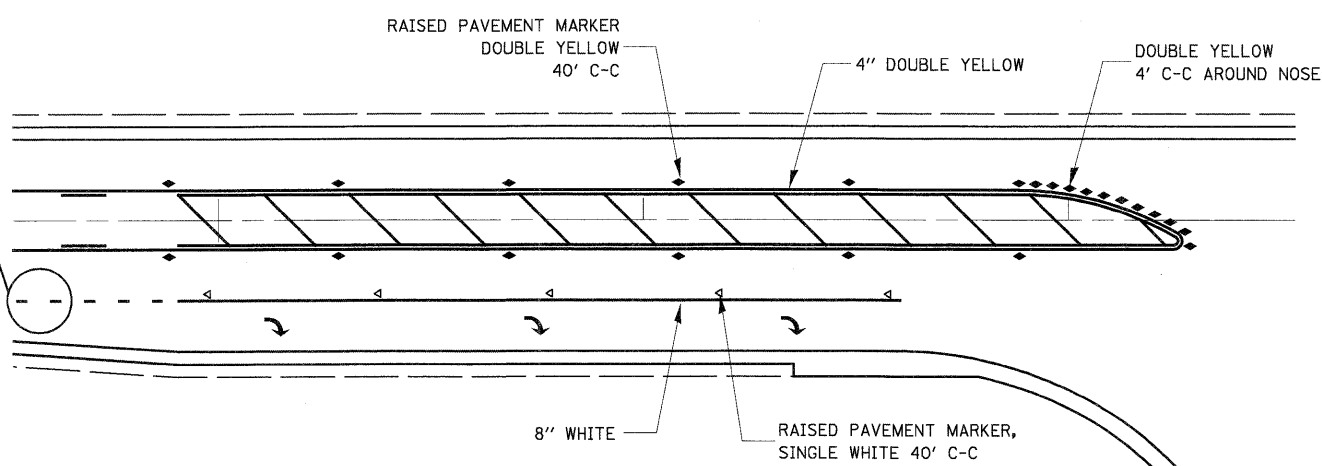
780-5

URBAN PAVEMENT MARKING



RIGHT IN RIGHT OUT ACCESS PAVEMENT MARKING

780-16



**RAISED REFLECTIVE AND PAVEMENT MARKERS
@ RIGHT TURN LANE**

781-1

FILE NAME = 0366985-sht-details.dgn	DESIGNED - MMS	REVISED -
PLOT SCALE =	DRAWN - MMS	REVISED -
PLOT DATE = 19-AUG-2011 08:27	CHECKED - KJB	REVISED -
	DATE - 08-18-2011	REVISED -

IDOT DISTRICT 3 DETAILS			
SCALE: N.T.S.	DETAIL 6 OF 15	STA.	TO STA.

F.A.P. RTE.	SECTION	COUNTY	TOTAL SHEETS	SHEET NO.
591	13R-2;14R-1 & BR-1(1);15R-1	KENDALL	429	334
FINAL SUBMITTAL			CONTRACT NO. 66985	
ILLINOIS FED. AID PROJECT				