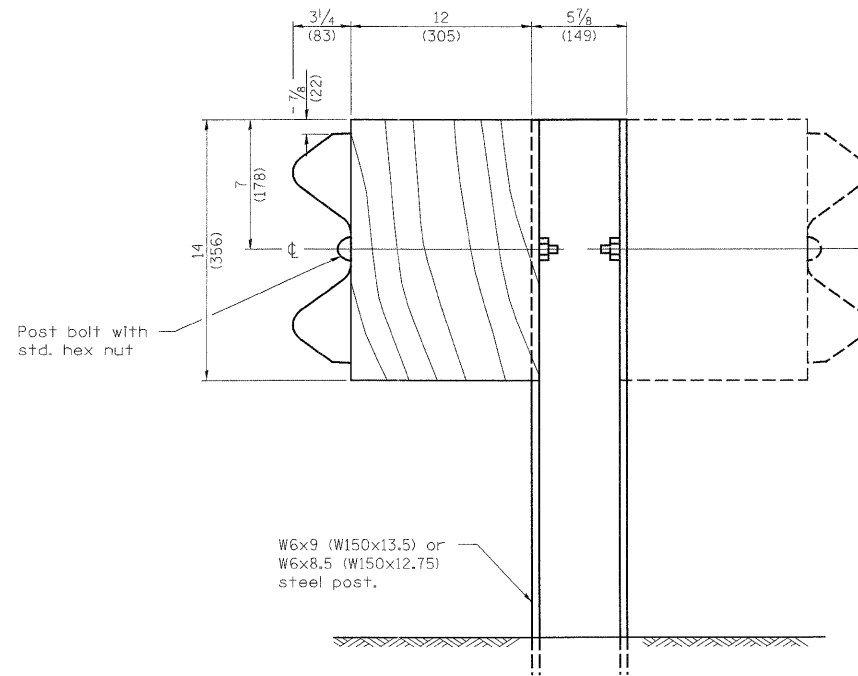


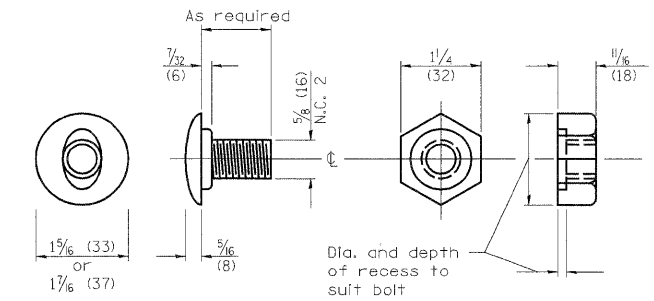
ELEVATION

TYPE B

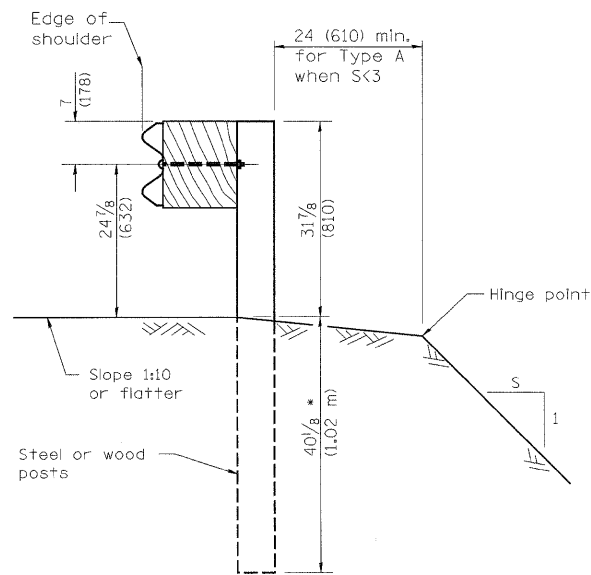
18 3/4 CLOSED POST SPACING



STEEL POST CONSTRUCTION

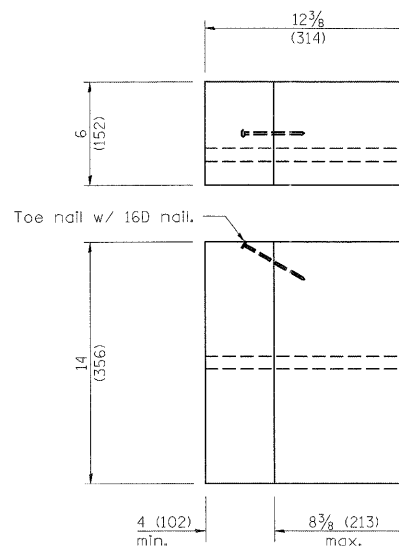


POST OR SPLICE BOLT & NUT

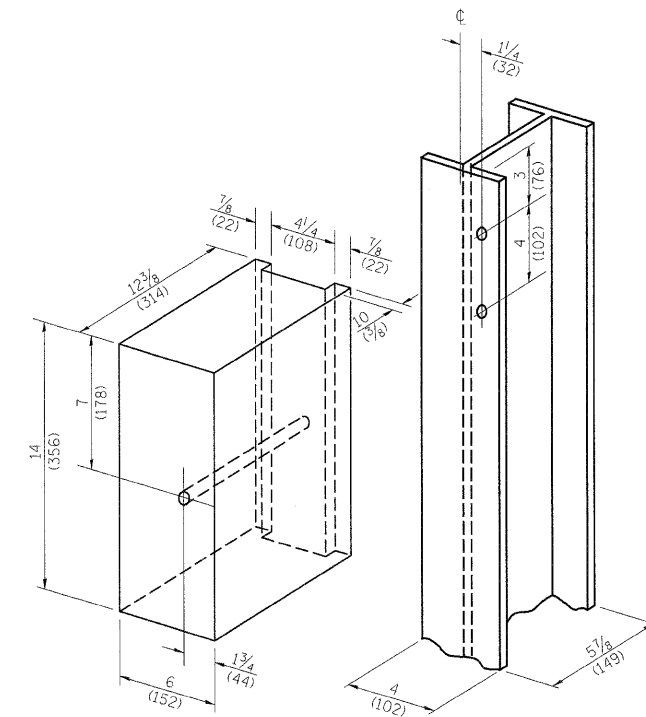


SECTION A-A

* When "S" is less than 3 and the distance from the back of post is less than 24 (610), the post embedment shall be 7 7/8 (1934).



TWO-PIECE WOOD BLOCKOUT OPTION



Note: All holes 3/4 (20) dia.

WOOD BLOCK-OUT AND STEEL POST DETAILS

GENERAL NOTES

All slope ratios are expressed as unit displacement to units of horizontal c (V:H).

All dimensions are in inches (mm) unless otherwise shown.