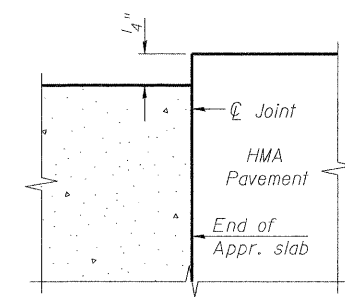


PLAN

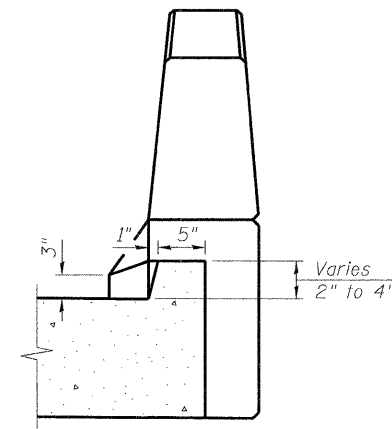
(North Approach shown, South Approach - Opp. Hand)

* Tilt #9 b4(E) bars as required to maintain clearance.
 ** Space between a3(E) or a5(E) bars, typ. ea. parapet.

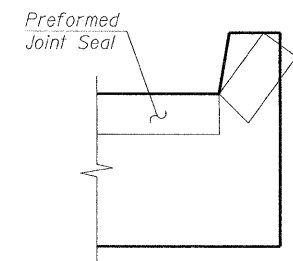


FLEXIBLE PAVEMENT

DETAIL A



VIEW B-B



VIEW F-F

Angle Preformed Joint Seal at 45° at curbs when req'd for drainage.

NOTE:

See sheet S15 of S35 for Sections C-C & D-D and View E-E.
 a3(E), a4(E), a5(E) and a6(E) bar spacings measured along \varnothing Rdwy.