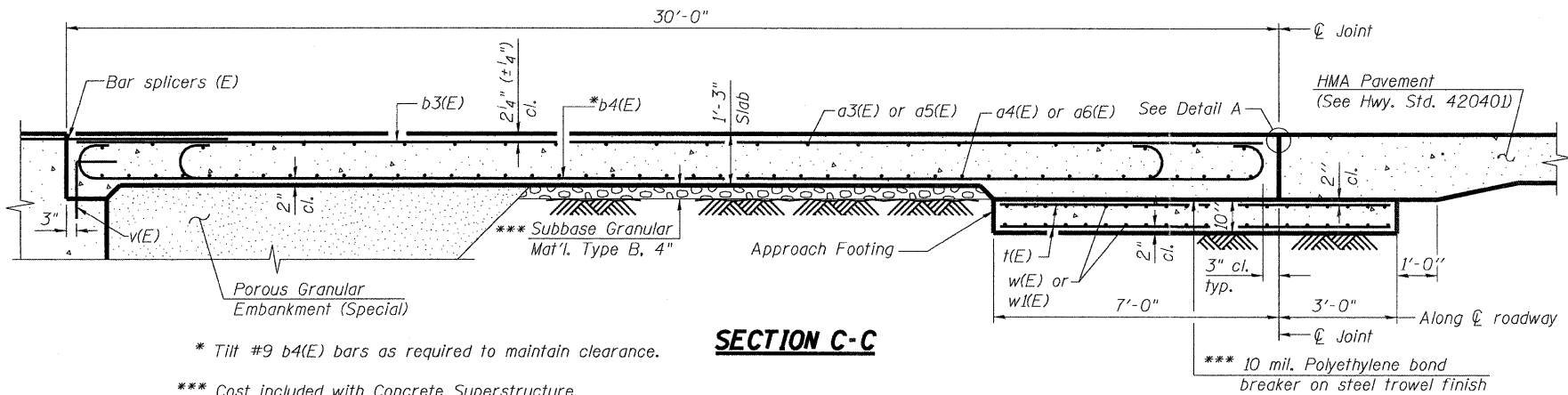
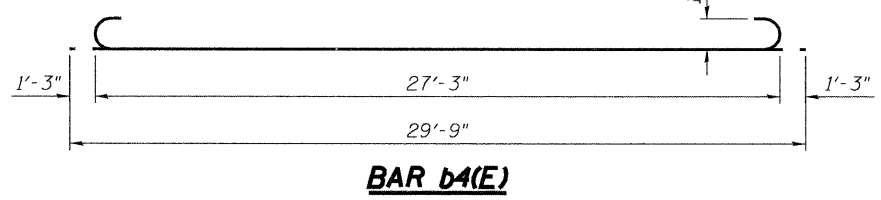
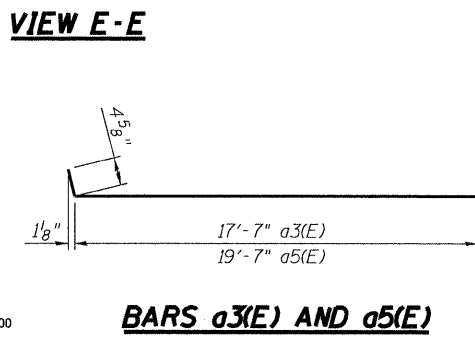
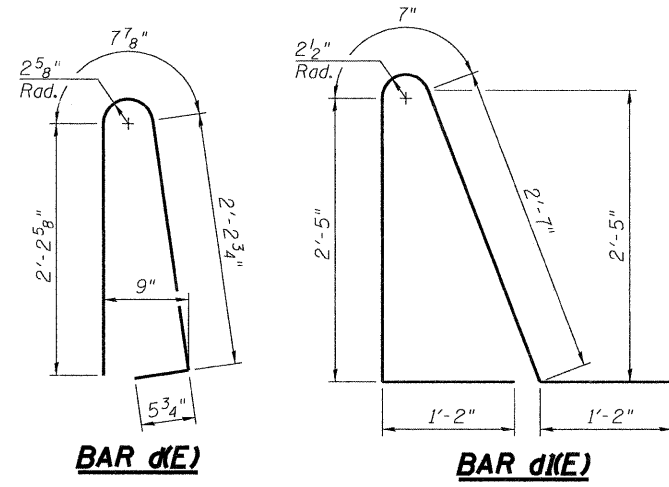
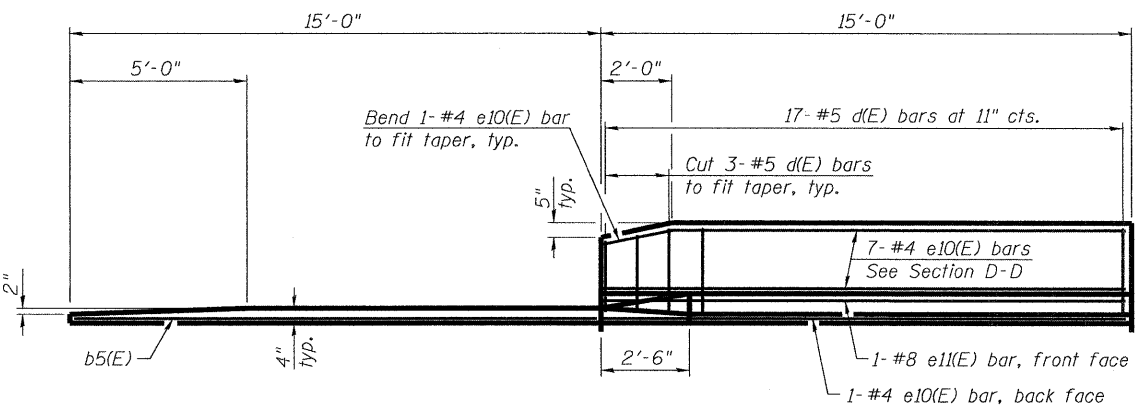
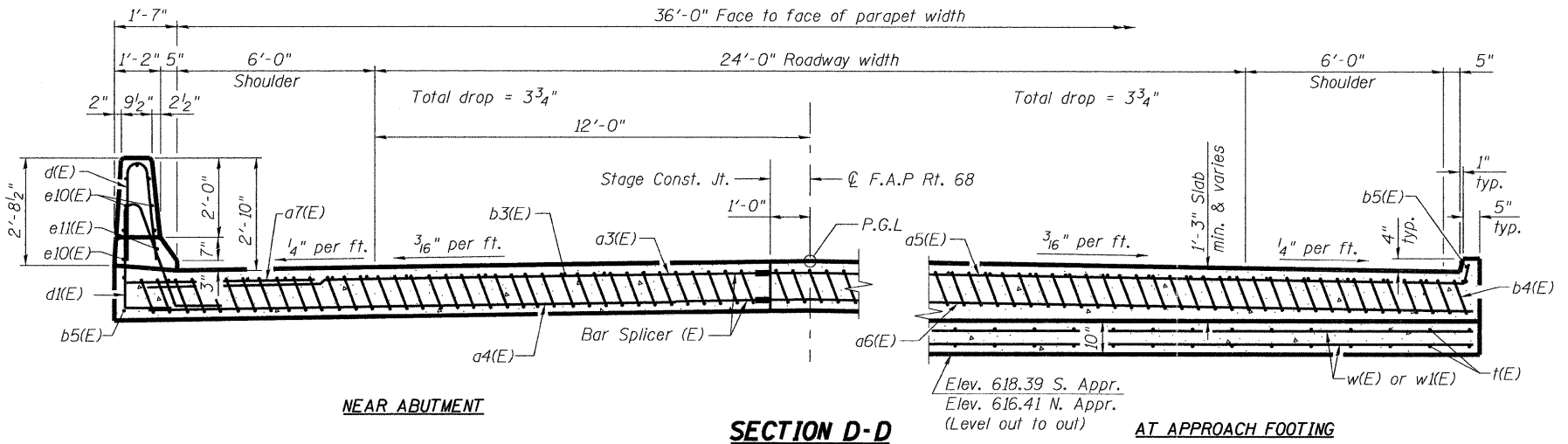


**TWO APPROACHES
BILL OF MATERIAL**

Bar	No.	Size	Length	Shape
a3(E)	50	#4	18'-0"	—
a4(E)	92	#5	17'-9"	—
a5(E)	50	#4	20'-0"	—
a6(E)	92	#5	19'-9"	—
a7(E)	48	#6	6'-6"	—
b3(E)	64	#4	29'-8"	—
b4(E)	184	#9	29'-9"	—
b5(E)	8	#4	14'-8"	—
d(E)	68	#5	5'-7"	—
d1(E)	68	#5	7'-11"	—
e10(E)	32	#4	14'-8"	—
e11(E)	4	#8	14'-8"	—
t(E)	160	#4	9'-8"	—
w(E)	80	#5	17'-7"	—
w1(E)	80	#5	19'-7"	—
Concrete Superstructure			Cu. Yd.	119.9
Concrete Structures			Cu. Yd.	23.4
Reinforcement Bars, Epoxy Coated			Pound	30,870
Bridge Deck Grooving			Sq. Yd.	231
Protective Coat			Sq. Yd.	274



* Tilt #9 b4(E) bars as required to maintain clearance.
*** Cost included with Concrete Superstructure.



NOTES:

- See sheet S14 of S35 for Detail A and View B-B.
- Approach slab and parapet concrete shall be paid for as Concrete Superstructure.
- Approach footing concrete shall be paid for as Concrete Structures.
- Reinforcement shall be paid for as Reinforcement Bars, Epoxy Coated.
- For v(E) bar details, see sheets S11 and S12 of S35.
- The approach footing maximum applied service bearing pressure (Qmax) = 2.0 ksf.
- For bar splicer details, see sheet S25 of S35.
- Cost of excavation for approach footing included with Concrete Structures.
- For Porous Granular Embankment (Special) and drainage treatment details, see sheet S2 of S35.
- For additional parapet details, see sheet S11 of S35.

benesch
engineers · scientists · planners
Alfred Benesch & Company
205 North Michigan Avenue, Suite 2400
Chicago, Illinois 60601
312-565-0450 Job No. 3938.11

FILE NAME = 0500225.66A20.015.brappdet2.dgn	USER NAME = jsurber	DESIGNED - JLS	REVISIONS -
PLOT SCALE =	PLOT DATE = 11/07/2011	CHECKED - AJK	REVISIONS -
		DRAWN - RMG	REVISIONS -
		CHECKED - HMA	REVISIONS -

STATE OF ILLINOIS
DEPARTMENT OF TRANSPORTATION

BRIDGE APPROACH SLAB DETAILS (2 OF 2)
STRUCTURE NO. 050-0255
SHEET NO. S15 OF S35 SHEETS

F.A.P. RTE. 68	SECTION (3)BR-3	COUNTY LASALLE	TOTAL SHEETS 61	SHEET NO. 28
CONTRACT NO. 66A20			ILLINOIS FED. AID PROJECT	

x:\3900s\3938\structures\1123overbuckcreek\final\plans\0500225.66A20.015.brappdet2.dgn 08/24/11 11:07:2011