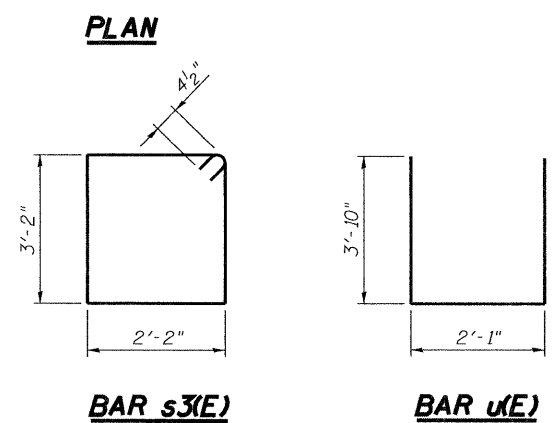
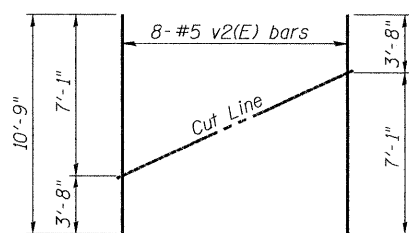
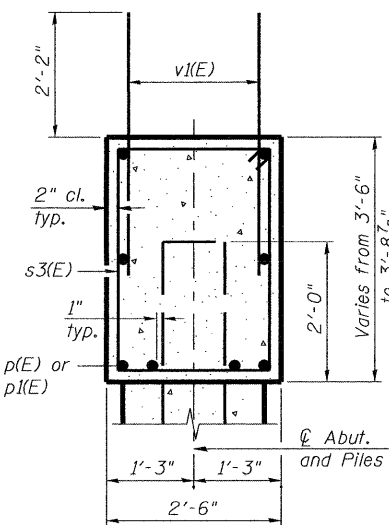
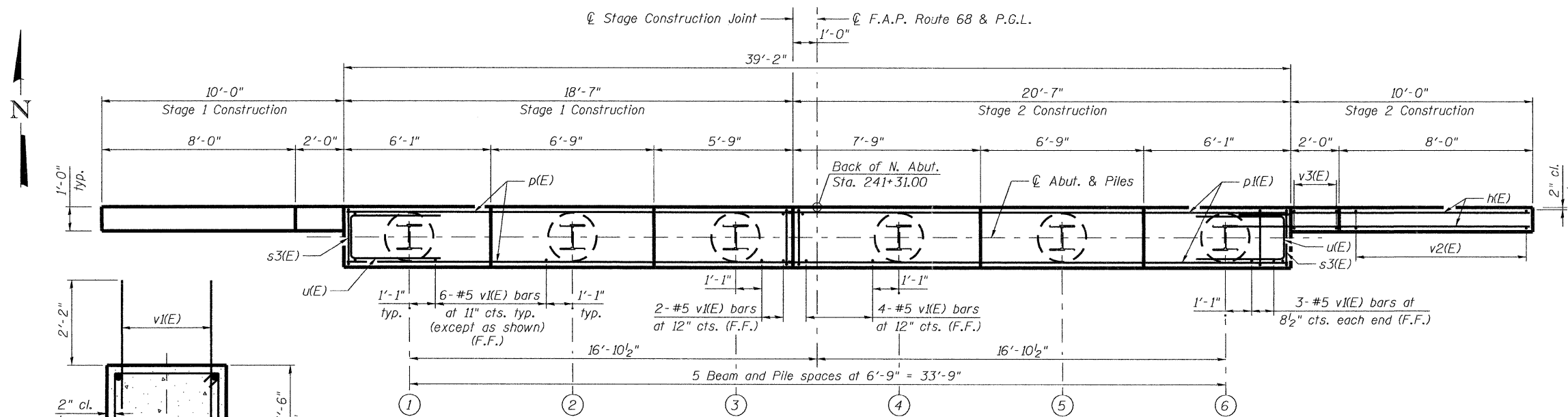
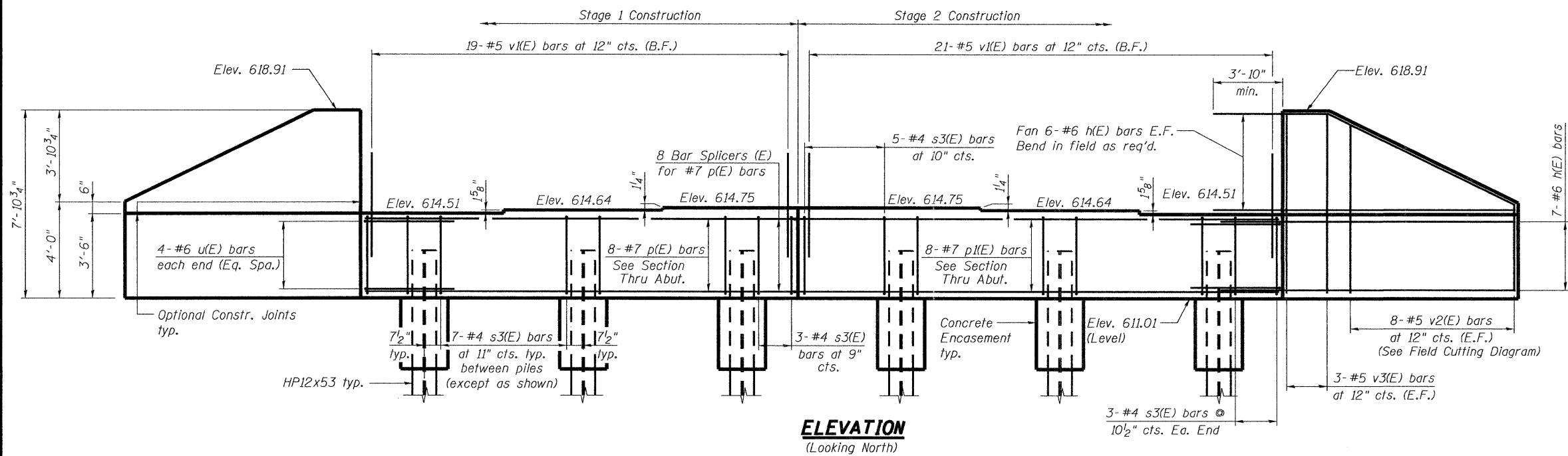


BILL OF MATERIAL

Bar	No.	Size	Length	Shape
h(E)	52	#6	14'-8"	—
p(E)	8	#7	18'-5"	—
p1(E)	8	#7	20'-5"	—
s3(E)	42	#4	11'-5"	□
u(E)	8	#6	9'-9"	—
v1(E)	76	#5	4'-4"	—
v2(E)	16	#5	10'-9"	—
v3(E)	12	#5	7'-6"	—
Structure Excavation			Cu. Yd.	195
Concrete Structures			Cu. Yd.	17.9
Reinforcement Bars, Epoxy Coated			Pound	2,850
Furnishing Steel Piles, HP12x53			Foot	240
Driving Piles			Foot	240
Test Pile Steel, HP12x53			Each	1
Pile Shoes			Each	6
Concrete Encasement			Cu. Yd.	2.2



PILE DATA
 Type: HP12x53 with pile shoes
 Nominal Required Bearing: 263 kips
 Factored Resistance Available: 145 kips
 Est. Length: 48 feet
 No. Production Piles: 5
 No. Test Piles: 1

NOTES:

- Four steps monolithically with cap.
- Piles shall be driven through 24" diameter precored holes extending to elevation 601.01 according to Article 512.09(c) of the Standard Specifications. Cost included in Driving Piles.
- The Contractor shall limit the pile hammer size selected considering the relatively high soil strengths indicated in the borings and avoid overdriving the piles beyond their nominal required bearing to prevent pile damage during driving.
- E.F. denotes Each Face, F.F. denotes Front Face and B.F. denotes Back Face.
- For details of Bar Splicers, see sheet S25 of S35.
- For details of piles and concrete encasement, see sheet S24 of S35.

benesch
 engineers • scientists • planners
 Alfred Benesch & Company
 205 North Michigan Avenue, Suite 2400
 Chicago, Illinois 60601
 312-565-0450 Job No. 3938.11

FILE NAME = 0500225.66A28_021.nabutdet.dgn	USER NAME = jaurber	DESIGNED - JLS	REVISED -
PLOT SCALE =	PLOT DATE = 11/07/2011	CHECKED - AJK	REVISED -
		DRAWN - RMG	REVISED -
		CHECKED - HMA	REVISED -

STATE OF ILLINOIS
 DEPARTMENT OF TRANSPORTATION

NORTH ABUTMENT DETAILS
 STRUCTURE NO. 050-0255

SHEET NO. S21 OF S35 SHEETS

F.A.P. RTE. 68	SECTION (3)BR-3	COUNTY LASALLE	TOTAL SHEETS 61	SHEET NO. 34
ILLINOIS FED. AID PROJECT			CONTRACT NO. 66A20	

s:\3900s\3938\structures\1123overbuckcreek\final\plans\0500225_66A20_021.nabutdet.dgn 08/25/19 11/07/2011