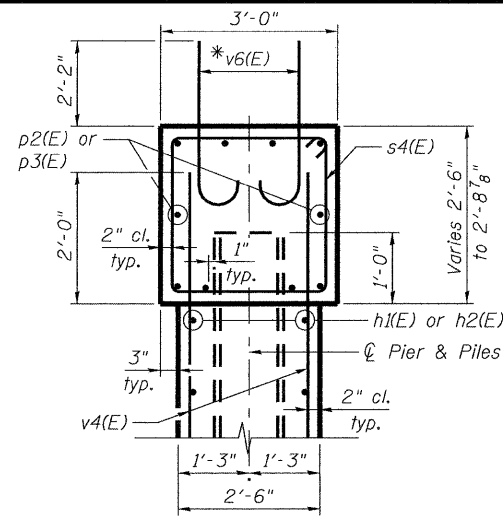
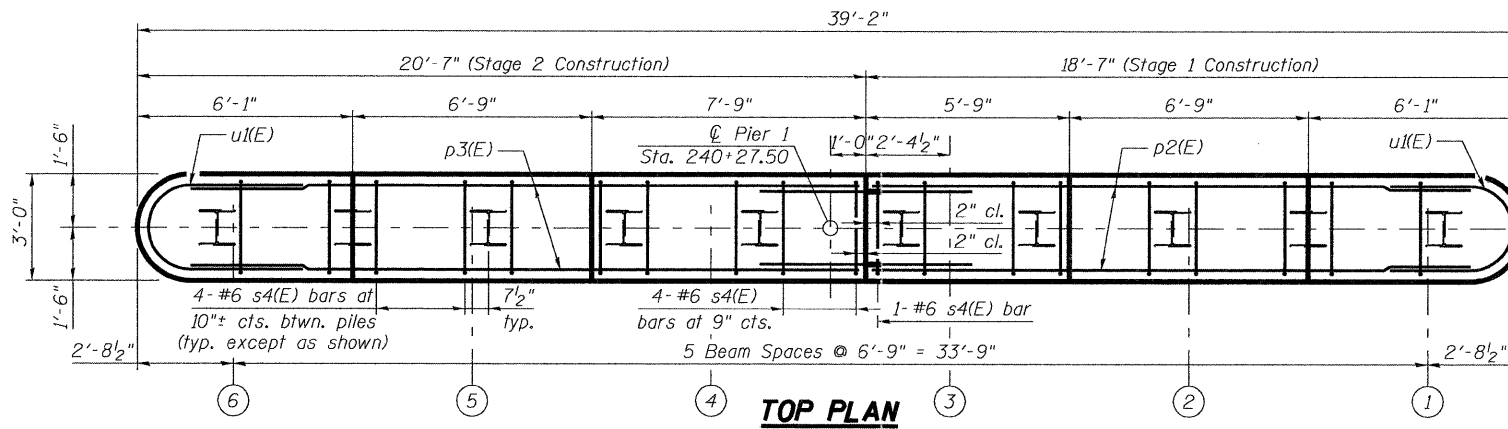


BILL OF MATERIAL

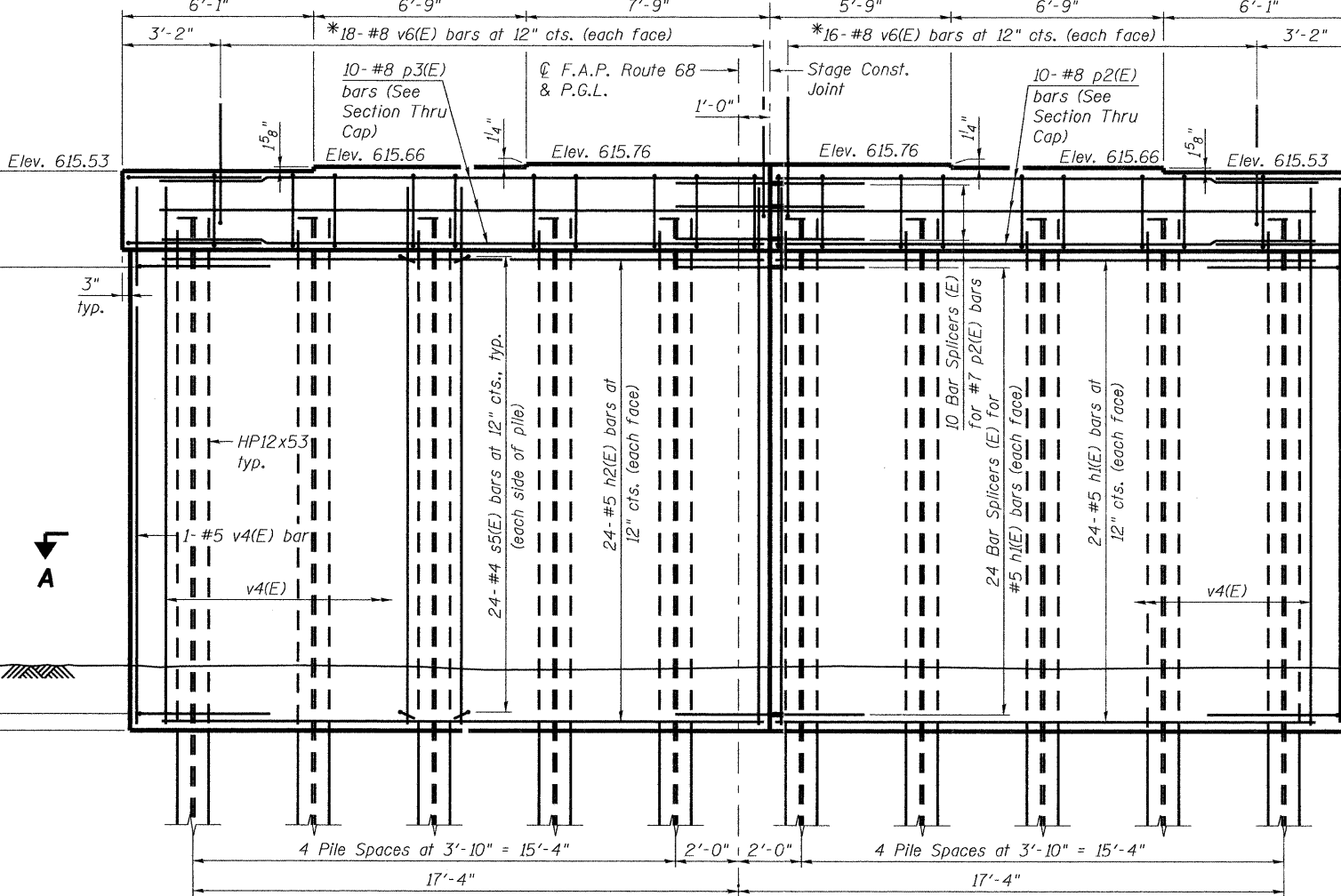
Bar	No.	Size	Length	Shape
h1(E)	48	#5	17'-4"	
h2(E)	48	#5	19'-4"	
p2(E)	10	#8	17'-4"	
p3(E)	10	#8	19'-4"	
s4(E)	37	#6	11'-0"	
s5(E)	480	#4	3'-2 1/2"	
u1(E)	8	#6	11'-7"	
u2(E)	48	#5	9'-8"	
v4(E)	82	#5	25'-6"	
v6(E)	68	#8	4'-4"	
Cofferdam Excavation		Cu. Yd.	27	
Cofferdam (Type 1) (Location - 1)		Each	1	
Concrete Structures		Cu. Yd.	94.8	
Reinforcement Bars, Epoxy Coated		Pound	8,060	
Furnishing Steel Piles, HP12x53		Foot	486	
Driving Piles		Foot	486	
Test Pile Steel, HP12x53		Each	1	
Pile Shoes		Each	10	



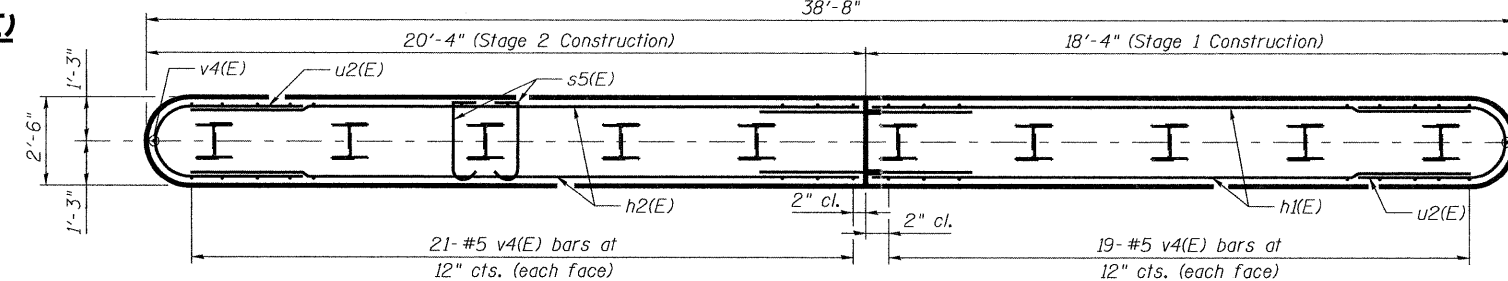
SECTION THRU CAP



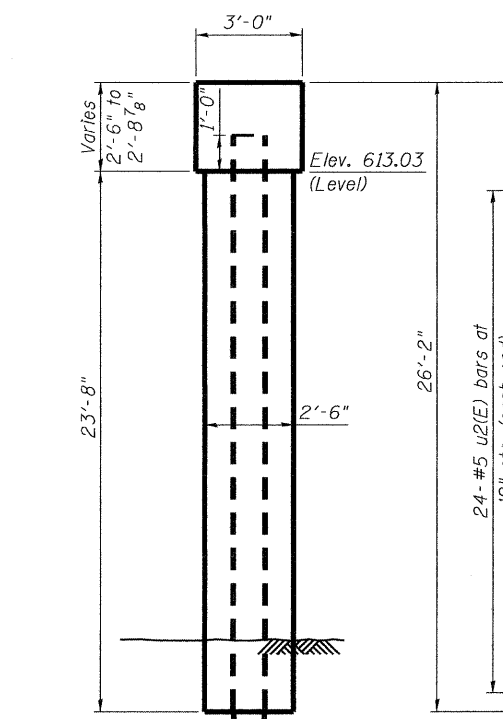
TOP PLAN



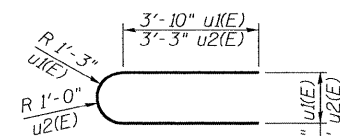
ELEVATION
(Looking South)



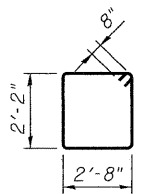
SECTION A-A



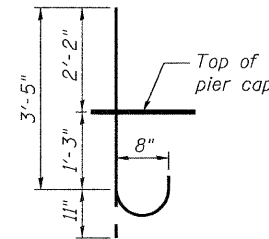
END VIEW



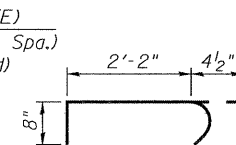
BARS u1(E) AND u2(E)



BAR s4(E)



BAR v6(E)



BAR s5(E)

PILE DATA

Type: HP12x53 with pile shoes
 Nominal Required Bearing: 394 kips
 Factored Resistance Available: 217 kips
 Est. Length: 54 feet
 No. Production Piles: 9
 No. Test Piles: 1

NOTES:

1. Pour steps monolithically with cap.
2. The Contractor shall limit the pile hammer size selected considering the relatively high soil strengths indicated in the borings and avoid overdriving the piles beyond their nominal required bearing to prevent pile damage during driving.
3. See sheet S13 of S35 for layout of v6(E) bars in plan view.
4. For details of piles and reinforcement of Concrete Encasement, see sheet S24 of S35.
5. For details of Bar Splicers, see sheet S25 of S35.

benesch
 engineers · scientists · planners
 Alfred Benesch & Company
 205 North Michigan Avenue, Suite 2400
 Chicago, Illinois 60601
 312-565-0450 Job No. 3938.11

FILE NAME =	USER NAME = jaurber	DESIGNED - JLS	REVISED -
0500225.66A20.022.pier1det.dgn		CHECKED - AJK	REVISED -
		DRAWN - RMG	REVISED -
		CHECKED - HMA	REVISED -

STATE OF ILLINOIS
DEPARTMENT OF TRANSPORTATION

PIER 1 DETAILS
STRUCTURE NO. 050-0255

SHEET NO. S22 OF S35 SHEETS

F.A.P. RTE.	SECTION	COUNTY	TOTAL SHEETS	SHEET NO.
68	(3)BR-3	LASALLE	61	35
CONTRACT NO. 66A20			ILLINOIS FED. AID PROJECT	

x:\39005\3938\structures\123overbuckcreek\final\plans\0500225.66A20.022.pier1det.dgn 08:53:02 11/07/2011