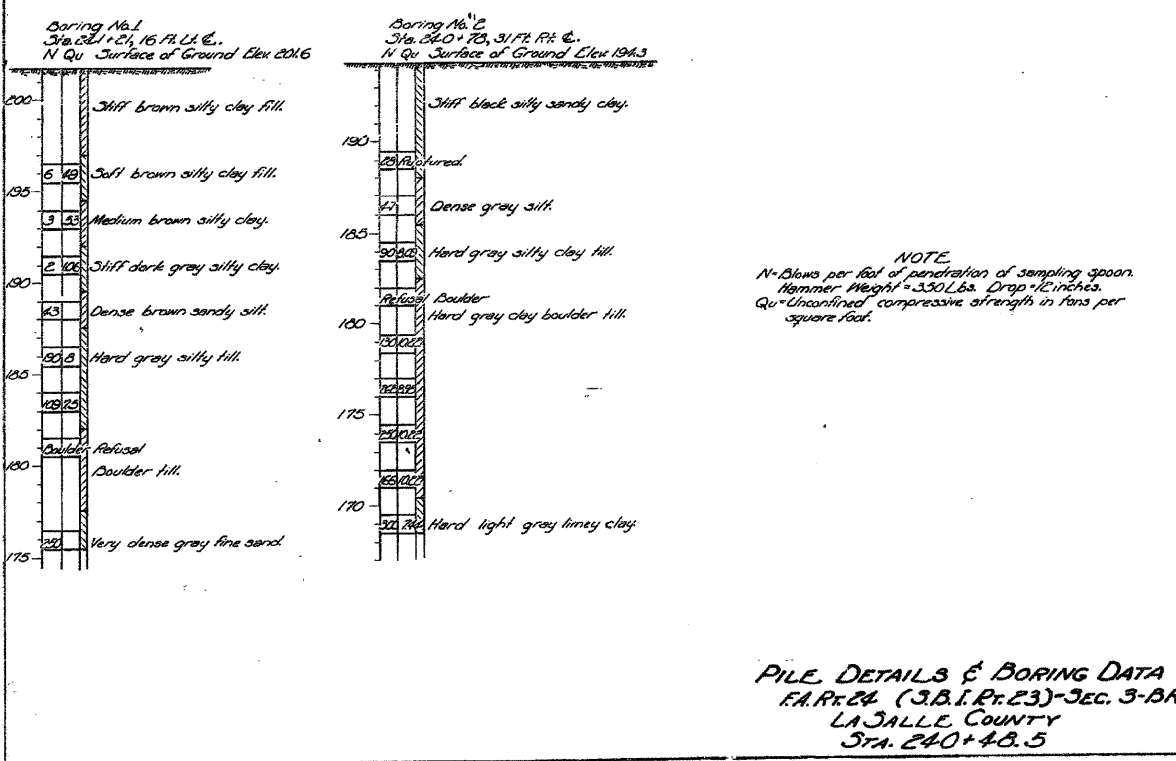
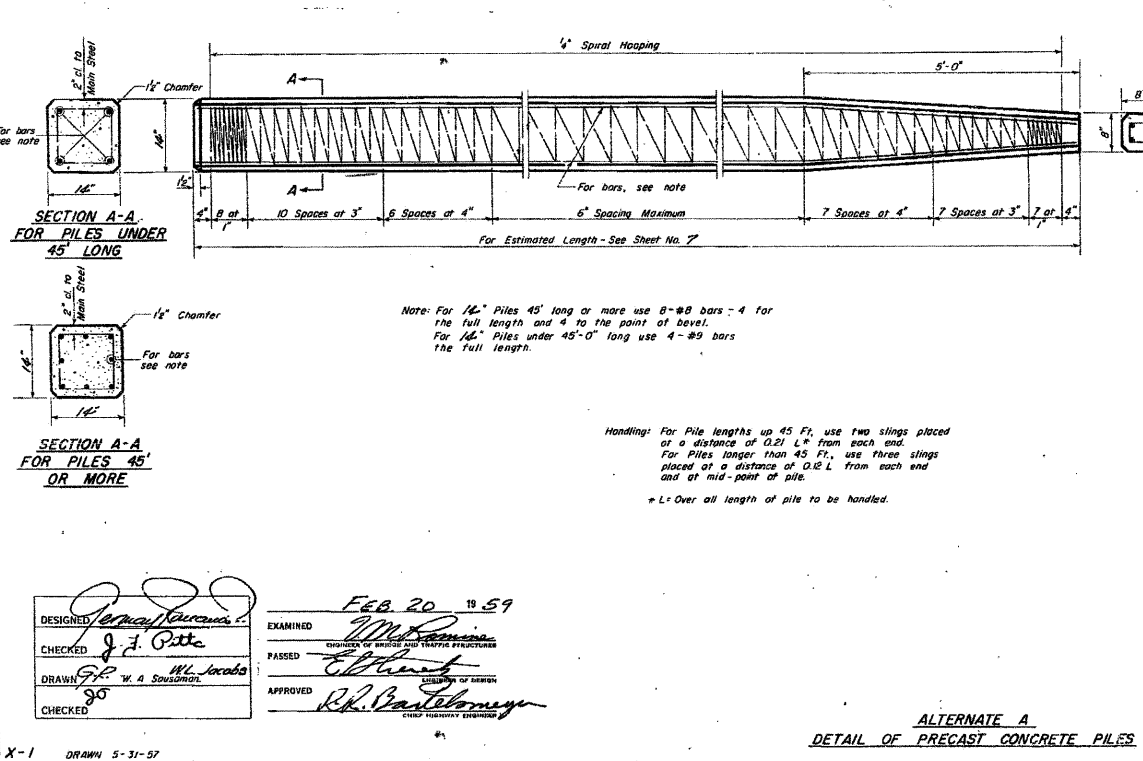
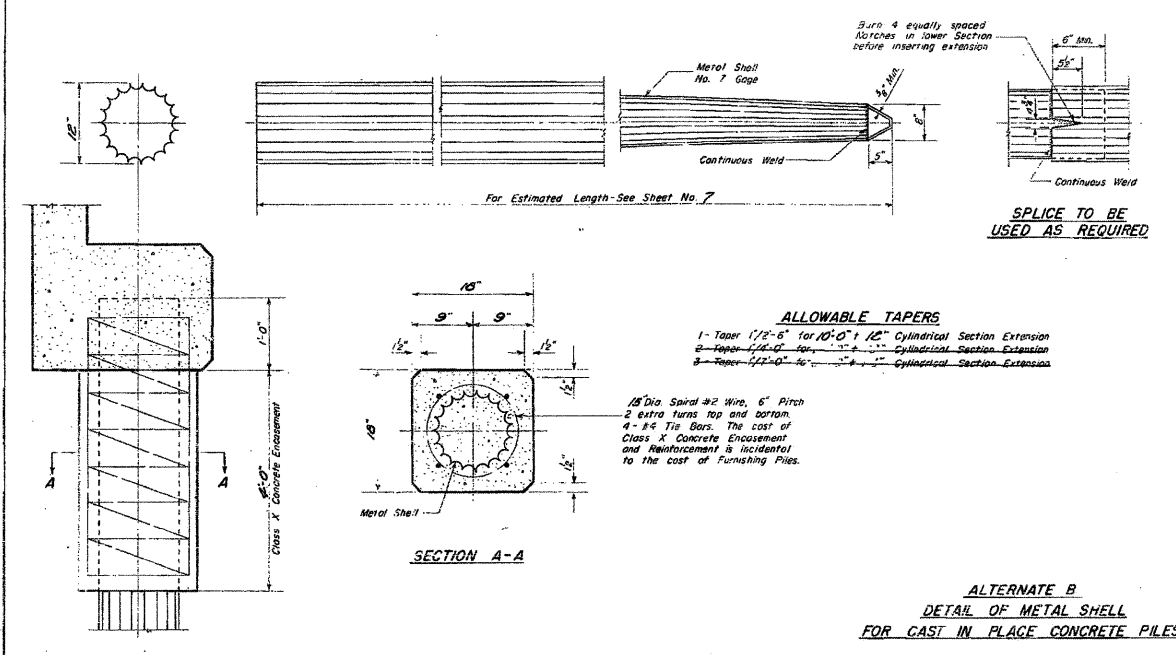
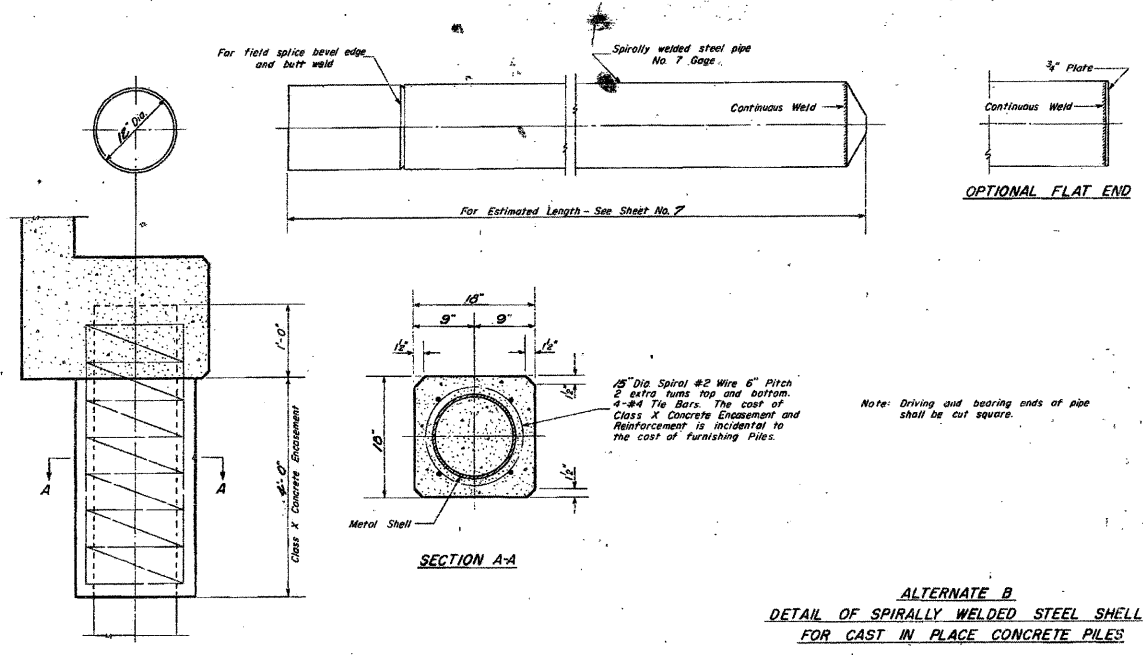


STATE OF ILLINOIS  
DEPARTMENT OF PUBLIC WORKS & BUILDINGS  
DIVISION OF HIGHWAYS

NO. 23	SECTION	COUNTY	TOTAL SHEETS	SHEET NO.	SHEET NO.
23	3BR-1	LaSalle	30	20	7 SHEETS



DESIGNED: J. F. Pette  
CHECKED: J. F. Pette  
DRAWN: W. A. Jacobs  
APPROVED: R. B. Bartelme

FEB 20 19 59

FOR INFORMATION ONLY

benesch  
engineers - scientists - planners

Alfred Benesch & Company  
205 North Michigan Avenue, Suite 2400  
Chicago, Illinois 60601  
312-565-0450 Job No. 3938.11

FILE NAME =	USER NAME =	DESIGNED -	REVISED -
0598225.66A20.032.Exist.Plan_4.dgn	akeaschall	JLS	-
		CHECKED -	REVISED -
		AJK	-
		DRAWN -	REVISED -
		RMG	-
		CHECKED -	REVISED -
		HMA	-

STATE OF ILLINOIS  
DEPARTMENT OF TRANSPORTATION

EXISTING PLAN INFORMATION (4 OF 7)  
STRUCTURE NO. 050-0255  
SHEET NO. S32 OF S35 SHEETS

F.A.P. RTE.	SECTION	COUNTY	TOTAL SHEETS	SHEET NO.
68	(3)BR-3	LASALLE	61	45
CONTRACT NO. 66A20				
ILLINOIS FED. AID PROJECT				

x:\3900s\3938\structures\1123over-buckcreek\final\plans\0500225-66A20-032.Exist.Plan\_4.dgn 14:48:43 10/20/2011