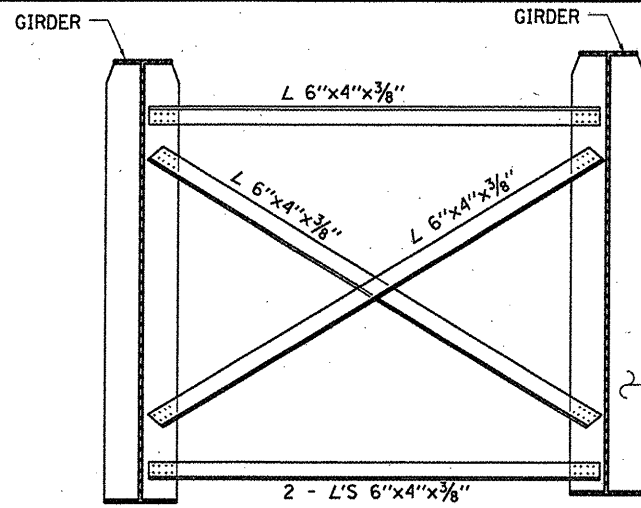
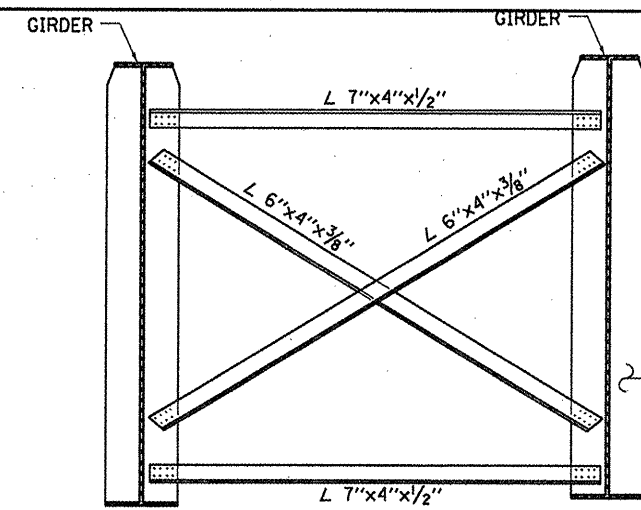


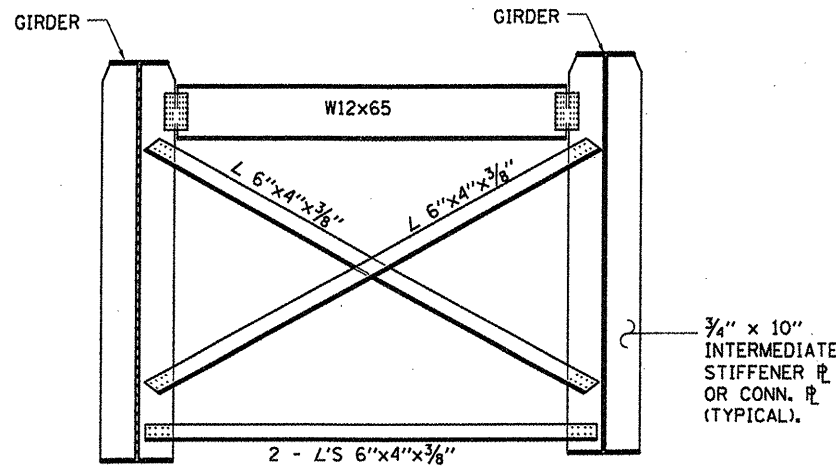
**CROSSFRAME CF1 & CF2A**



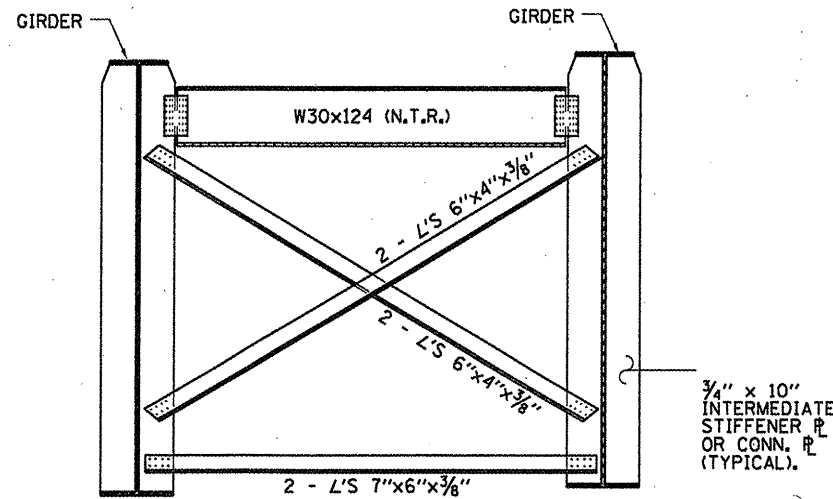
**CROSSFRAME CF6 & CF6A**  
CF5 SIMILIAR TO CF6



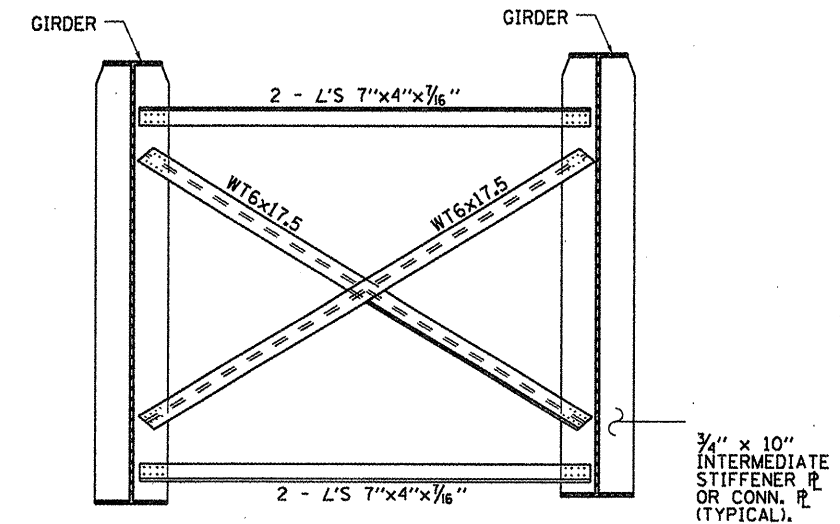
**CROSSFRAME CF10 & CF11**



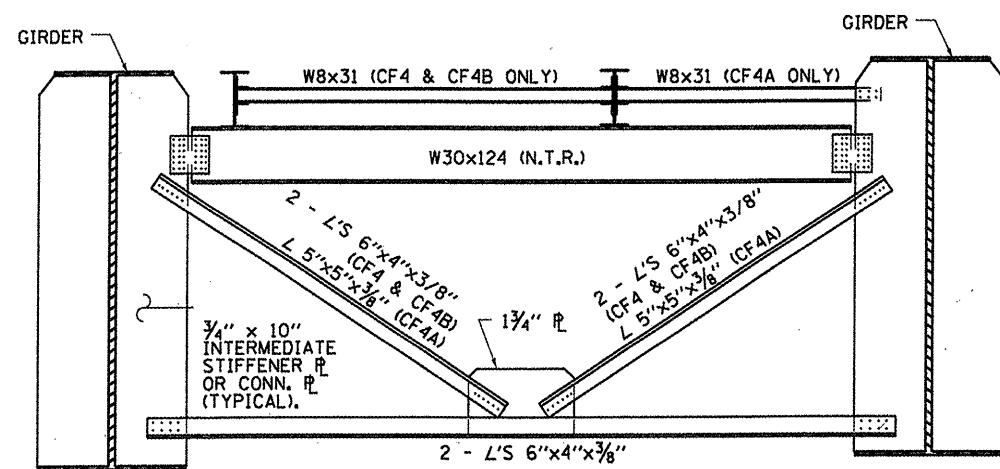
**CROSSFRAME CF2 & CF3**



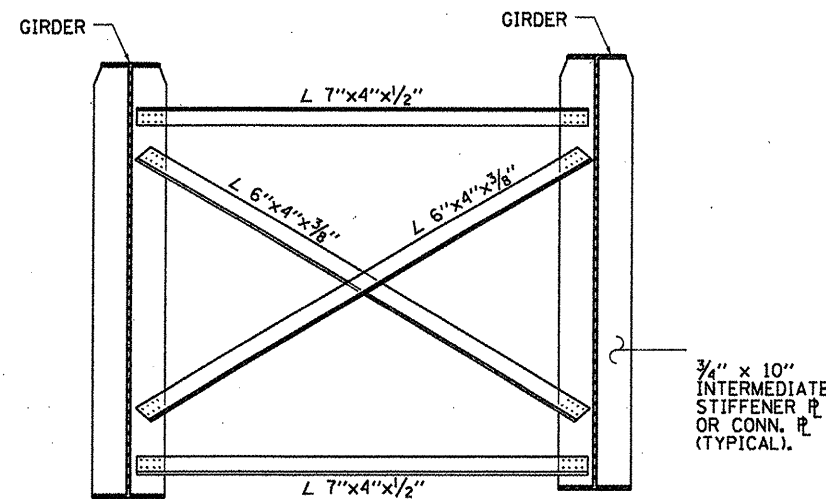
**CROSSFRAME CF7 & CF8**



**CROSSFRAME CF12 & CF13**



**CROSSFRAME CF4 & CF4B**  
CF4A SIMILIAR



**CROSSFRAME CF8 & CF9**

**STEEL FRAMING - CROSS FRAMES**

SN 050-0180  
FAP ROUTE 68 (IL 23)  
OVER ILLINOIS RIVER  
SECTION (12R)I-2  
LASALLE COUNTY

FILE NAME =	USER NAME = woodshankr1	DESIGNED -	REVISED -
ci:\pwork\pwidot\woodshankr1\d0260492\366833-sht-details.dgn		DRAWN -	REVISED -
PLOT SCALE = 100.0000' / 1"		CHECKED -	REVISED -
PLOT DATE = 11/2/2011		DATE -	REVISED -

STATE OF ILLINOIS  
DEPARTMENT OF TRANSPORTATION

<b>STEEL FRAMING DETAILS</b>		F.A.P. RTE. 68	SECTION (12R)I-3	COUNTY LASALLE	TOTAL SHEETS 13	SHEET NO. 7
SCALE: _____		SHEET NO. 3 OF 9 SHEETS		STA. _____ TO STA. _____		CONTRACT NO. 66B33
ILLINOIS FED. AID PROJECT						