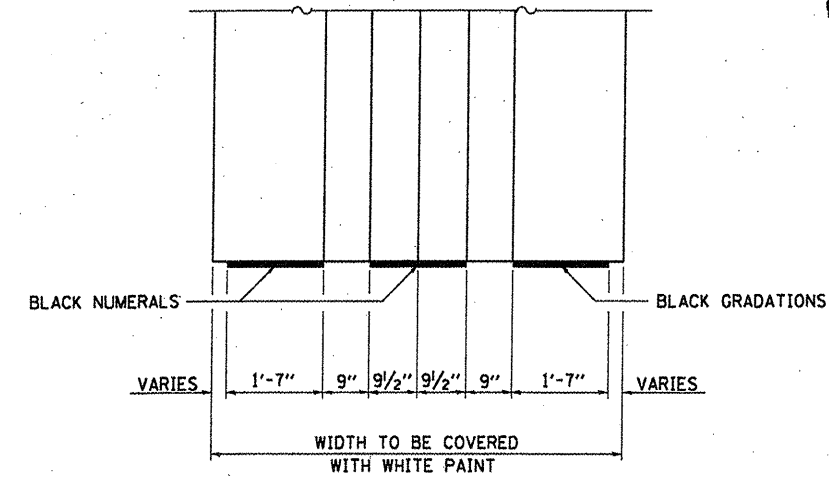
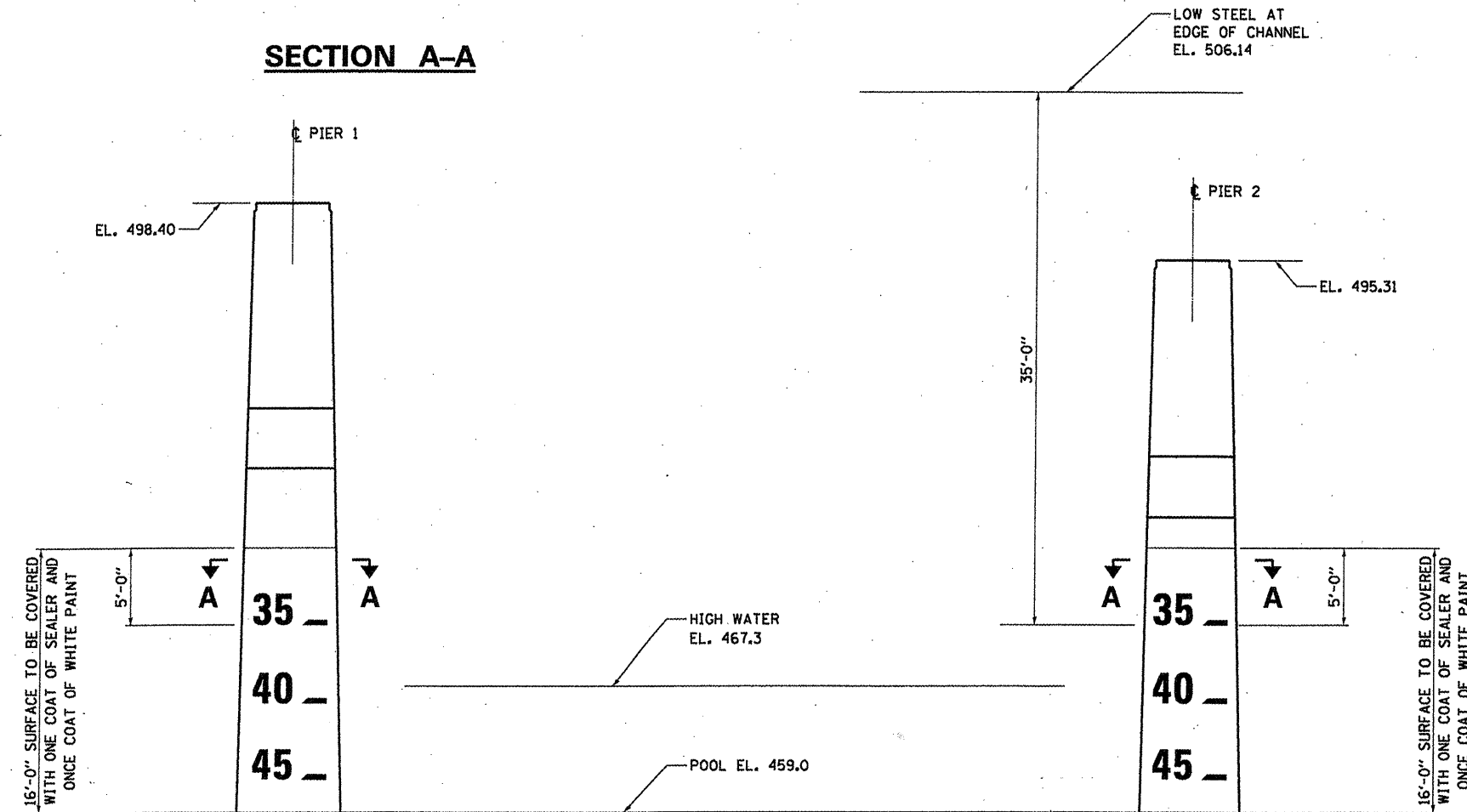


EAST ELEVATION

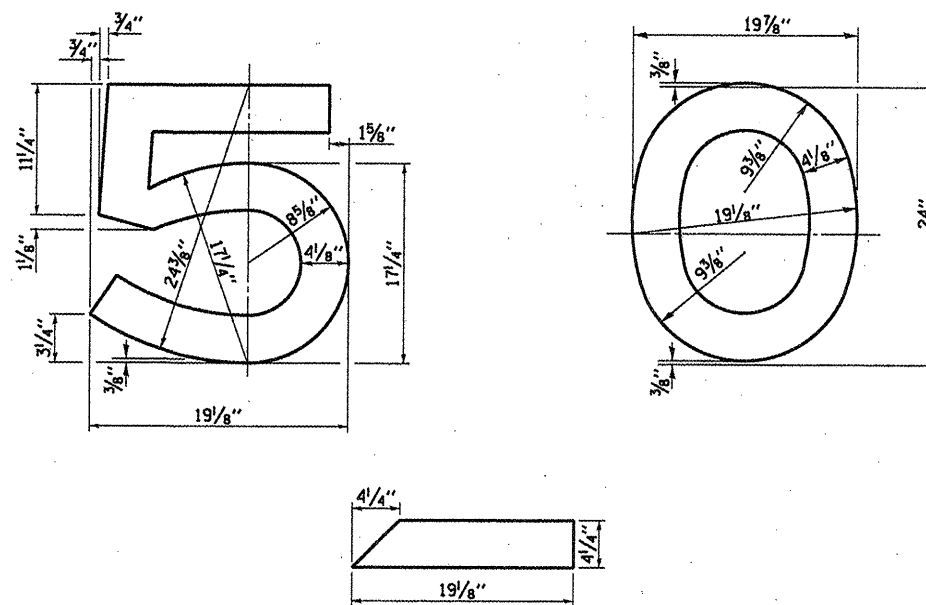
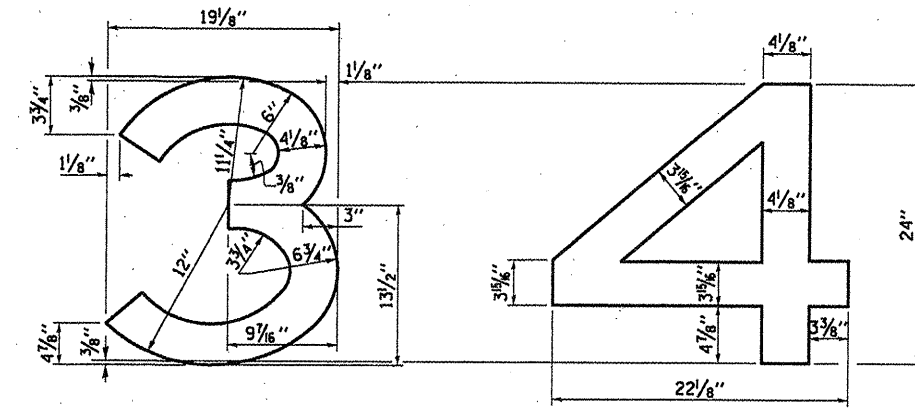


SECTION A-A



WEST ELEVATION PIER 1

EAST ELEVATION PIER 2



NUMERALS FOR PIERS

CLEARANCE GAUGES
 SN 050-0180
 FAP ROUTE 68 (IL 23)
 OVER ILLINOIS RIVER
 SECTION (1ZR)-3
 LASALLE COUNTY
 STA. 805 + 45.00

FILE NAME =	USER NAME = woodshankr1	DESIGNED - YOGESH PATEL	REVISED -
c:\pwwork\pwwork\woodshankr1\d8262492\366833-sht-deta1.dgn	366833-sht-deta1.dgn	DRAWN - YOGESH PATEL	REVISED -
	PLOT SCALE = 100.0000' / 1"	CHECKED - RON WOODSHANK	REVISED -
	PLOT DATE = 11/2/2011	DATE -	REVISED -

STATE OF ILLINOIS
 DEPARTMENT OF TRANSPORTATION

CLEARANCE GAUGES
FOR SN 050-0180

F.A.P. RTE.	SECTION	COUNTY	TOTAL SHEETS	SHEET NO.
68	(1ZR)-3	LASALLE	13	13
CONTRACT NO. 66B33			ILLINOIS FED. AID PROJECT	

SCALE: SHEET NO. 9 OF 9 SHEETS STA. TO STA.