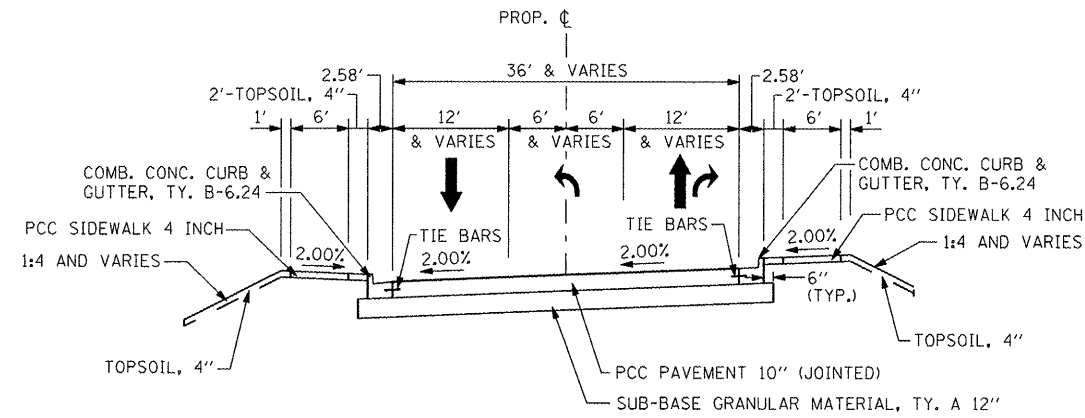


NOTE:
SEE THE ROADWAY PLAN AND PROFILE SHEETS FOR ADDITIONAL INFORMATION.

PROPOSED TYPICAL SECTION

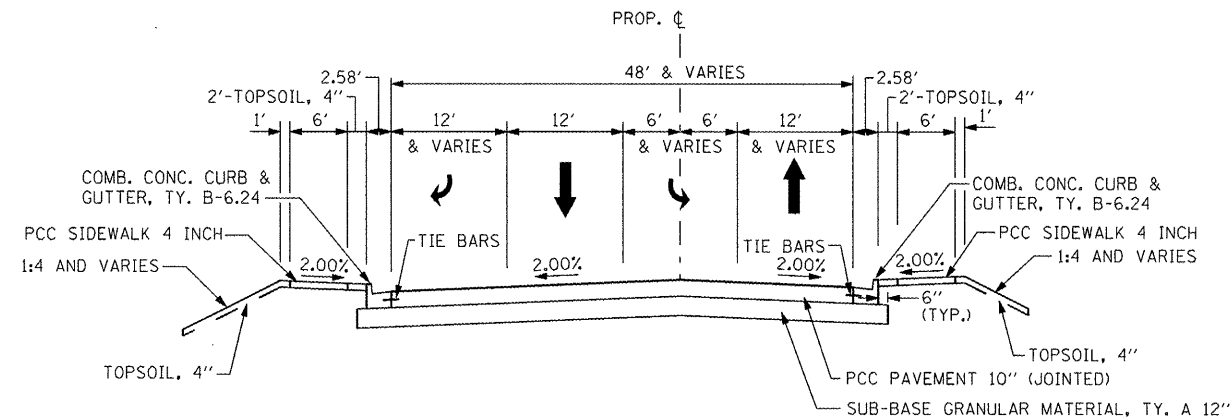
STA. 5+06.60 TO STA. 7+60.00 (S. SCHOOL STREET)
STA. 13+35.00 TO STA. 14+99.50 (N. SCHOOL STREET)



NOTE:
SEE THE ROADWAY PLAN AND PROFILE SHEETS FOR ADDITIONAL INFORMATION.

PROPOSED TYPICAL SECTION

STA. 7+60.00 TO IL. RTE. 8



NOTE:
SEE THE ROADWAY PLAN AND PROFILE SHEETS FOR ADDITIONAL INFORMATION.

PROPOSED TYPICAL SECTION

IL. RTE. 8 TO STA. 13+35.00

| | | | |
|--|-----------------|---------------------------------|------------------------|
| STRUCTURAL DESIGN TRAFFIC: | | Year <u>2020</u> ; | |
| P.V. <u>5,522</u> | S.U. <u>430</u> | M.U. <u>184</u> | |
| ROAD/STREET CLASSIFICATION: | | Class <u>II</u> | |
| PERCENT OF STRUCTURAL DESIGN TRAFFIC IN DESIGN LANE: | | | |
| P = <u>50</u> | S = <u>50</u> | M = <u>50</u> | |
| TRAFFIC FACTOR: | | Actual TF = <u>0.97</u> | AC Type = <u>20</u> |
| | | Minimum TF = <u>-</u> | |
| PG GRADE: | | Blinder = <u>58-22 (Bottom)</u> | Surface = <u>64-28</u> |
| SUBGRADE SUPPORT RATING: | | <u>Poor</u> | |

NOTE 1:
THE EXISTING PAVEMENT THICKNESS FOR SCHOOL STREET IS 12".

| | | | |
|---|------------------|-----------------|-----------|
| FILE NAME = | USER NAME = IDOT | DESIGNED - | REVISED - |
| PROJECTS\200803566\dgn\04-Rte8-sh-typical-5.dgn | | DRAWN - | REVISED - |
| PLOT SCALE = 20.002 FT / IN. | | CHECKED - | REVISED - |
| PLOT DATE = 10/21/2011 | | DATE = 10-21-11 | REVISED - |

**STATE OF ILLINOIS
DEPARTMENT OF TRANSPORTATION**

**FAP 399 (IL. RTE. 8)
PROPOSED TYPICAL SECTIONS - SCHOOL ST.**

SCALE: NTS SHEET NO. OF SHEETS STA. TO STA.

| | | | | |
|---------------------------|---------|----------|--------------|-----------|
| F.A.P. RTE. | SECTION | COUNTY | TOTAL SHEETS | SHEET NO. |
| 399 | 36 R-7 | TAZEWELL | 390 | 18 |
| CONTRACT NO. 68370 | | | | |
| ILLINOIS FED. AID PROJECT | | | | |