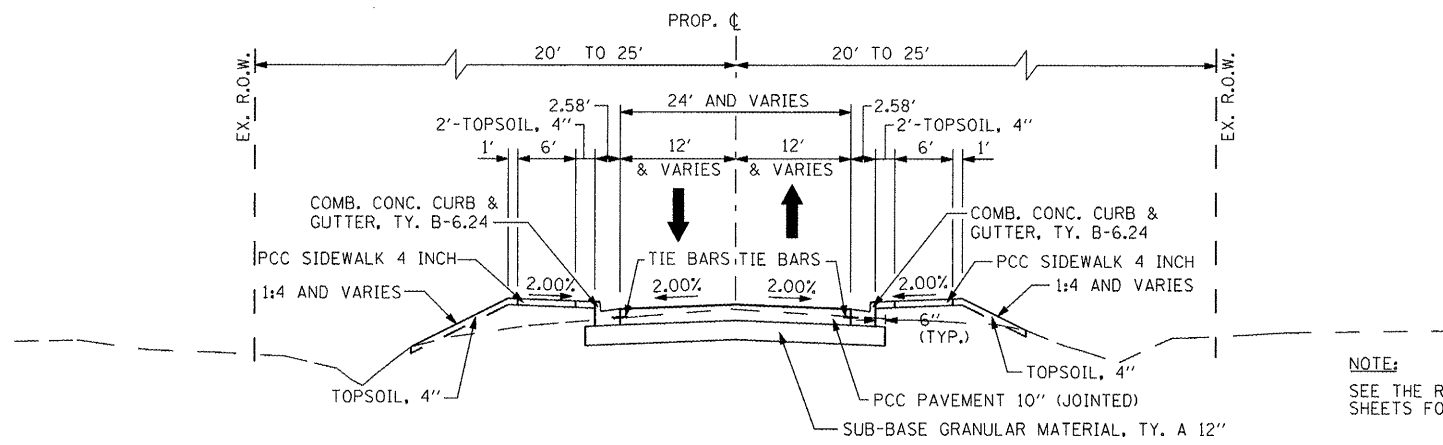


NOTE:
SEE THE ROADWAY PLAN AND PROFILE SHEETS FOR ADDITIONAL INFORMATION.

PROPOSED TYPICAL SECTION

S. MEADOWVIEW LANE: STA. 9+24.00 TO STA. 9+70.00
 N. MEADOWVIEW LANE: STA. 10+30.00 TO STA. 10+78.00
 S. MEADOWVIEW LANE: STA. 9+31.49 TO STA. 9+59.72
 N. MEADOWVIEW LANE: STA. 10+41.18 TO STA. 10+68.57

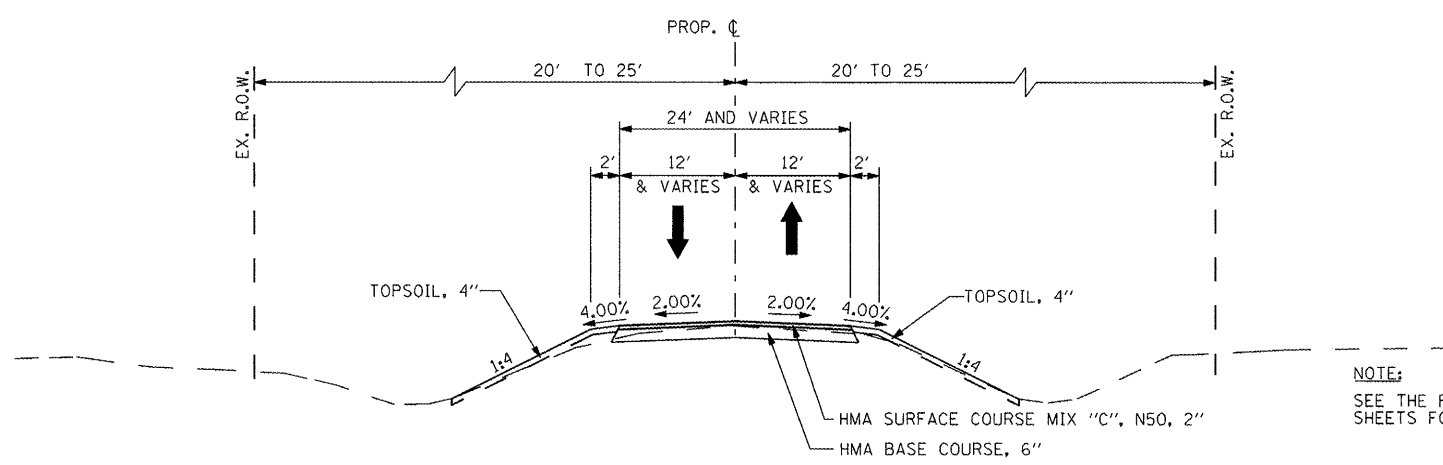


NOTE:
SEE THE ROADWAY PLAN AND PROFILE SHEETS FOR ADDITIONAL INFORMATION.

PROPOSED TYPICAL SECTION

GRANT STREET: STA. 9+32.67 TO STA. 9+70.00
 VOHLAND STREET: STA. 9+33.98 TO STA. 9+70.00
 MCGINLEY ROAD: STA. 9+35.00 TO STA. 9+70.00
 ESKEN: STA. 10+33.85 TO STA. 11+14.81
 WAGNER STREET: STA. 9+33.47 TO STA. 9+70.00
 ERNEST STREET: STA. 9+30.53 TO 9+70.13

NOTE 1:
THE EXISTING PAVEMENT THICKNESS FOR SIDE STREETS IS 8".



NOTE:
SEE THE ROADWAY PLAN AND PROFILE SHEETS FOR ADDITIONAL INFORMATION.

PROPOSED TYPICAL SECTION

GRANT STREET: STA. 8+81.90 TO STA. 9+32.67
 VOHLAND STREET: STA. 9+10.60 TO STA. 9+33.98
 MCGINLEY ROAD: STA. 8+82.03 TO STA. 9+35.00
 ESKEN: STA. 11+14.81 TO STA. 11+30.11 (AGG. SURFACE COURSE, TYPE B 6")
 WAGNER STREET: STA. 8+93.19 TO STA. 9+33.47
 ERNEST STREET: STA. 8+74.58 TO STA. 9+30.53

STATE OF ILLINOIS
DEPARTMENT OF TRANSPORTATION

FAP 399 (IL. RTE. 8)
PROPOSED TYPICAL SECTIONS - SIDE STREETS

FILE NAME =	USER NAME = IDOT	DESIGNED -	REVISED -
\\projects\200803566\dgn\04-Rte8-sh-typical-b.dgn		DRAWN -	REVISED -
PLOT SCALE = 20.002 FT / IN.		CHECKED -	REVISED -
PLOT DATE = 10/21/2011		DATE - 10-21-11	REVISED -

SCALE: NTS	SHEET NO. OF SHEETS	STA. TO STA.	F.A.P. RTE. 399	SECTION 36 R-7	COUNTY TAZEWELL	TOTAL SHEETS 390	SHEET NO. 19
ILLINOIS FED. AID PROJECT							CONTRACT NO. 68370