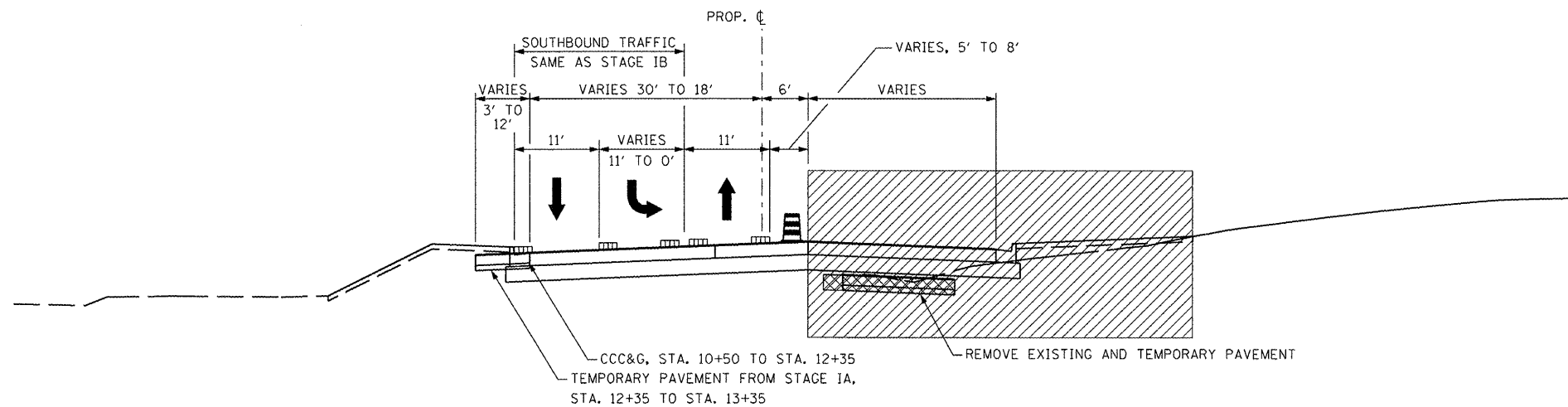
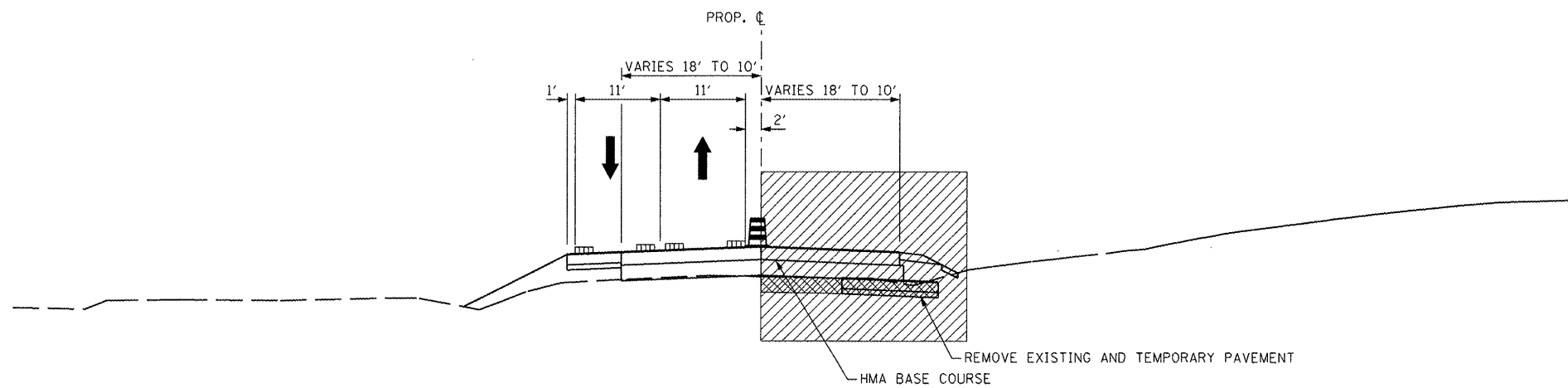


MAINTENANCE OF TRAFFIC TYPICAL SECTION - STAGE IB
STA. 13+35.00 TO STA. 15+00.00



MAINTENANCE OF TRAFFIC TYPICAL SECTION - STAGE IC
STA. 10+50.00 TO STA. 13+35.00



MAINTENANCE OF TRAFFIC TYPICAL SECTION - STAGE IC
STA. 13+35.00 TO STA. 15+00.00

- LEGEND**
- EXISTING PAVEMENT MARKING
 - TEMPORARY PAVEMENT MARKING
 - PROPOSED PAVEMENT MARKING
 - DRUM, WITH STEADY BURNING LIGHT
 - TEMPORARY CONCRETE BARRIER
 - CONSTRUCTION THIS STAGE
 - VERTICAL PANEL WITH STEADY BURNING LIGHT
 - EXISTING TRAFFIC LANE IN USE
 - TRAFFIC LANE

FILE NAME =	USER NAME = 1001	DESIGNED -	REVISED -
x:\projects\200803566\dgn\04-Rte8-sh-t-5	aging-Typ-NSchool-2.dgn	DRAWN -	REVISED -
	PLOT SCALE = 20.624 FT / IN.	CHECKED -	REVISED -
	PLOT DATE = 10/21/2011	DATE = 10-21-11	REVISED -

**STATE OF ILLINOIS
DEPARTMENT OF TRANSPORTATION**

**NORTH SCHOOL STREET
MAINTENANCE OF TRAFFIC - TYPICAL SECTIONS - STAGE I**

SCALE: AS SHOWN SHEET NO. OF SHEETS STA. TO STA.

F.A.P. RTE.	SECTION	COUNTY	TOTAL SHEETS	SHEET NO.
399	36 R-7	TAZEWELL	390	81
CONTRACT NO. 68370			ILLINOIS FED. AID PROJECT	