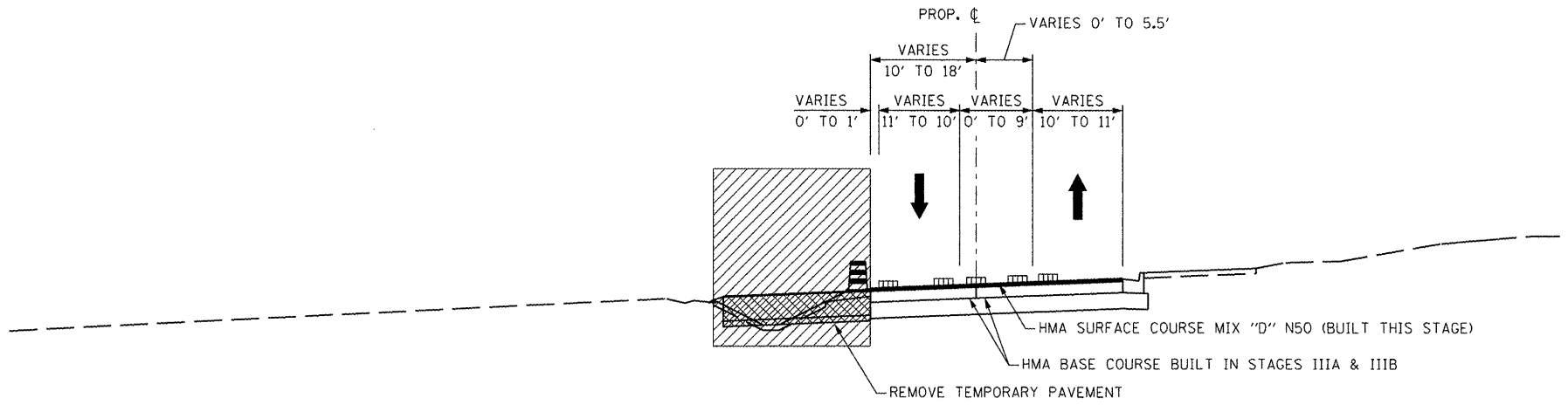
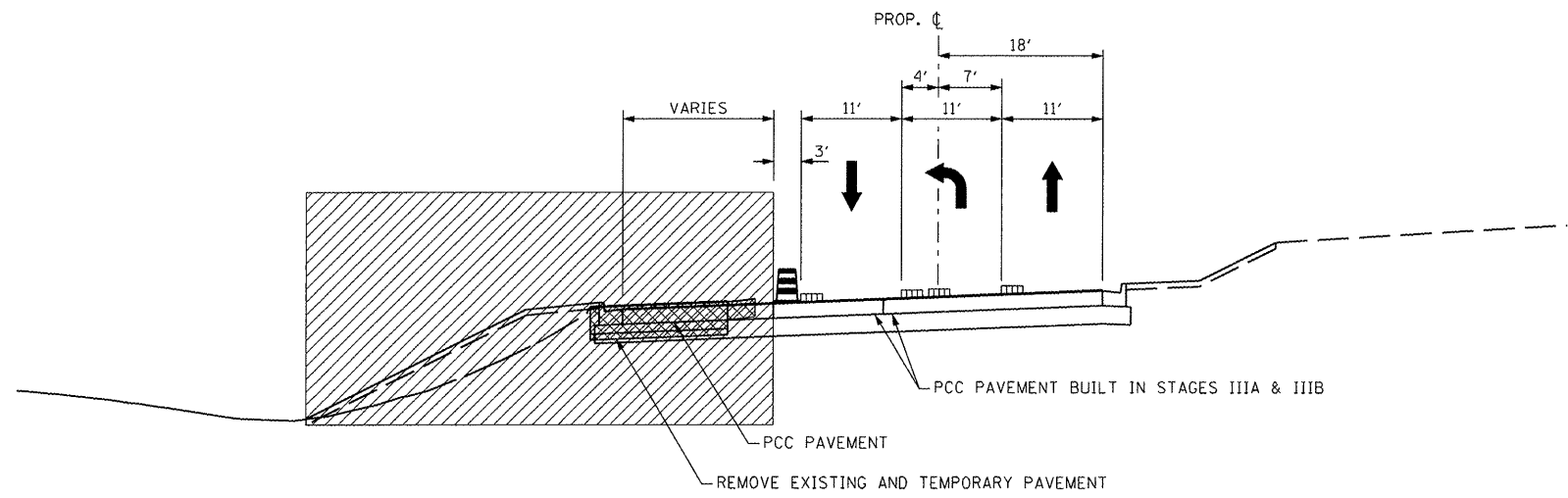


MAINTENANCE OF TRAFFIC TYPICAL SECTION - STAGE IIIB
 STA. 7+59.70 TO STA. 9+60.00



MAINTENANCE OF TRAFFIC TYPICAL SECTION - STAGE IIIC
 STA. 5+05.00 TO STA. 7+59.70



MAINTENANCE OF TRAFFIC TYPICAL SECTION - STAGE IIIC
 STA. 7+59.70 TO STA. 9+60.00

LEGEND

- EXISTING PAVEMENT MARKING
- TEMPORARY PAVEMENT MARKING
- PROPOSED PAVEMENT MARKING
- DRUM, WITH STEADY BURNING LIGHT
- TEMPORARY CONCRETE BARRIER
- CONSTRUCTION THIS STAGE
- VERTICAL PANEL WITH STEADY BURNING LIGHT
- EXISTING TRAFFIC LANE IN USE
- TRAFFIC LANE

FILE NAME =
 x:\projects\200803566\dgn\104-Rte8-shr-S

USER NAME = IDOT
 Design-Typ-School-2.dgn
 PLOT SCALE = 20.624 FT / IN.
 PLOT DATE = 10/21/2011

DESIGNED -
 DRAWN -
 CHECKED -
 DATE - 10-21-11

REVISED -
 REVISED -
 REVISED -
 REVISED -

**STATE OF ILLINOIS
 DEPARTMENT OF TRANSPORTATION**

**SOUTH SCHOOL STREET
 MAINTENANCE OF TRAFFIC - TYPICAL SECTIONS - STAGE III**
 SCALE: AS SHOWN SHEET NO. OF SHEETS STA. TO STA.

F.A.P. RTE.	SECTION	COUNTY	TOTAL SHEETS	SHEET NO.
399	36 R-7	TAZEWELL	390	89
CONTRACT NO. 68370				
ILLINOIS FED. AID PROJECT				