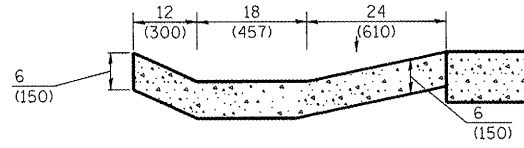
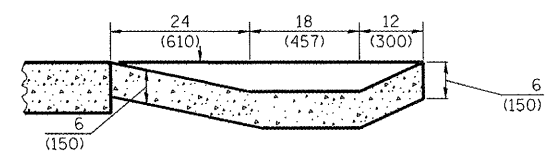


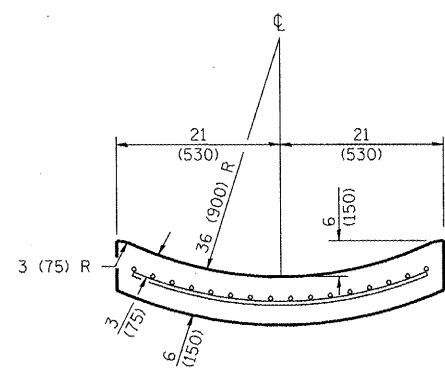
SECTION A-A



SECTION B-B

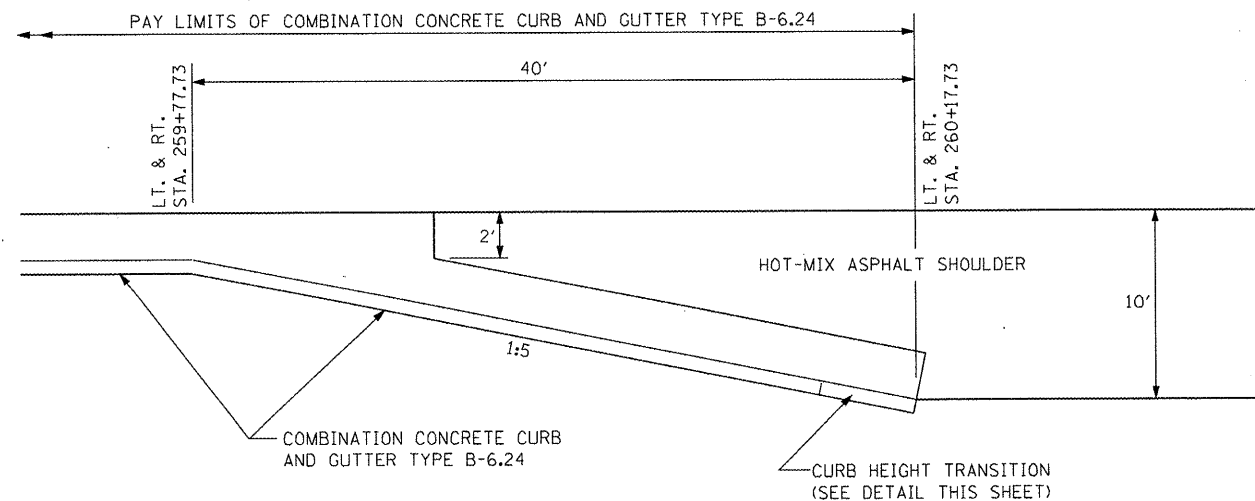


SECTION C-C

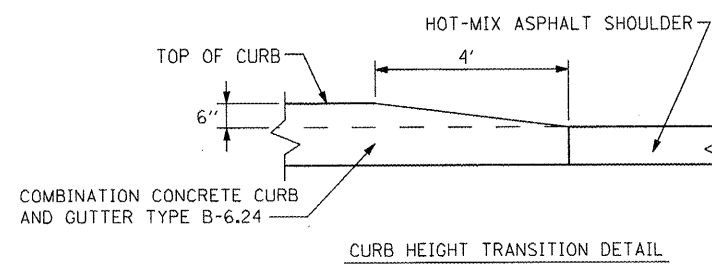


SECTION D-D

DETAIL - GUTTER OUTLET DETAIL AT LEGION ROAD

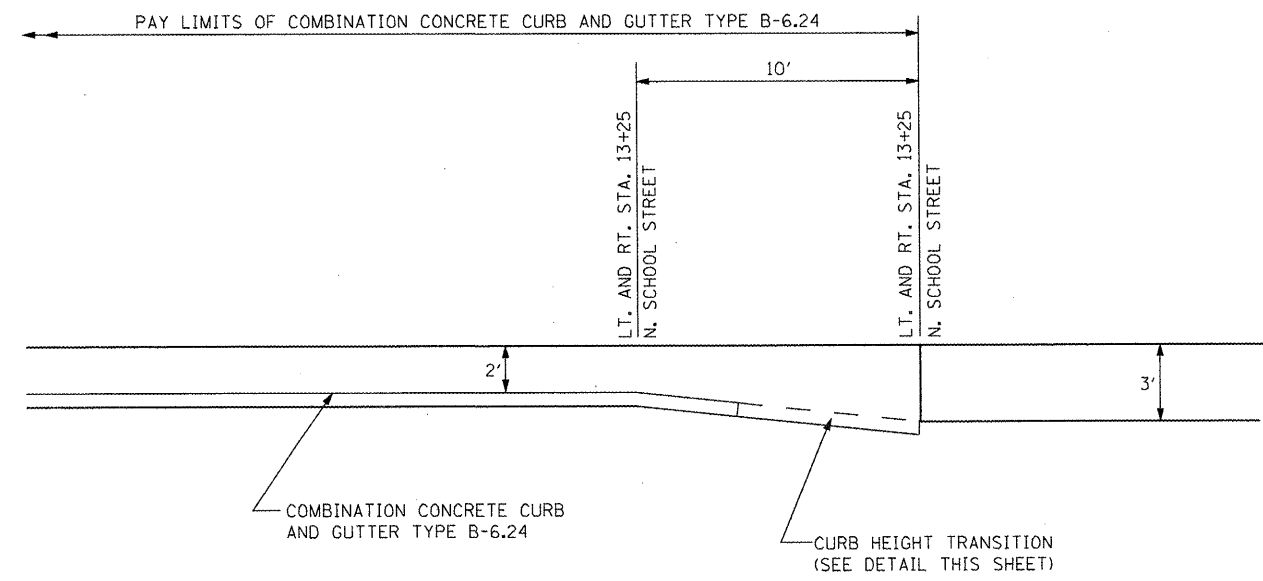


PLAN

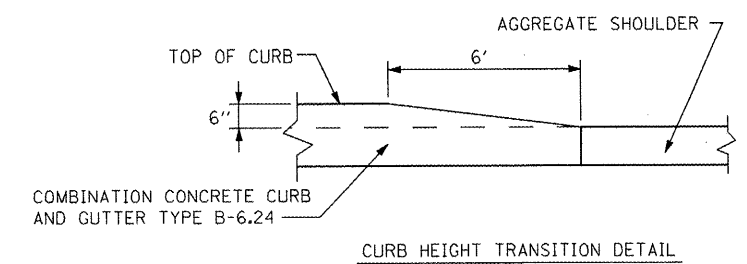


DETAIL - CURB TRANSITION LT. AND RT. STA. 259+77.73 IL. RTE. 8

NOT TO SCALE



PLAN



DETAIL - CURB TRANSITION LT. AND RT. STA. 13+25 N. SCHOOL STREET

NOT TO SCALE

FILE NAME =	USER NAME = IDOT	DESIGNED -	REVISED -
x:\projects\200803566\dgn\04-Rte8-sh-01	L-01 CURB TRANSITION.dgn	DRAWN -	REVISED -
	PLOT SCALE = 2,0001" / IN.	CHECKED -	REVISED -
	PLOT DATE = 10/21/2011	DATE - 10-21-11	REVISED -

**STATE OF ILLINOIS
DEPARTMENT OF TRANSPORTATION**

FAP 399 (IL. RTE. 8)			
DETAIL - CURB TRANSITION			
DETAIL - GUTTER OUTLET AT LEGION ROAD			
SCALE:	SHEET NO.	OF SHEETS	STA. TO STA.

F.A. RTE.	SECTION	COUNTY	TOTAL SHEETS	SHEET NO.
399	36 R-7	TAZEWELL	390	275
CONTRACT NO. 68370			ILLINOIS FED. AID PROJECT	