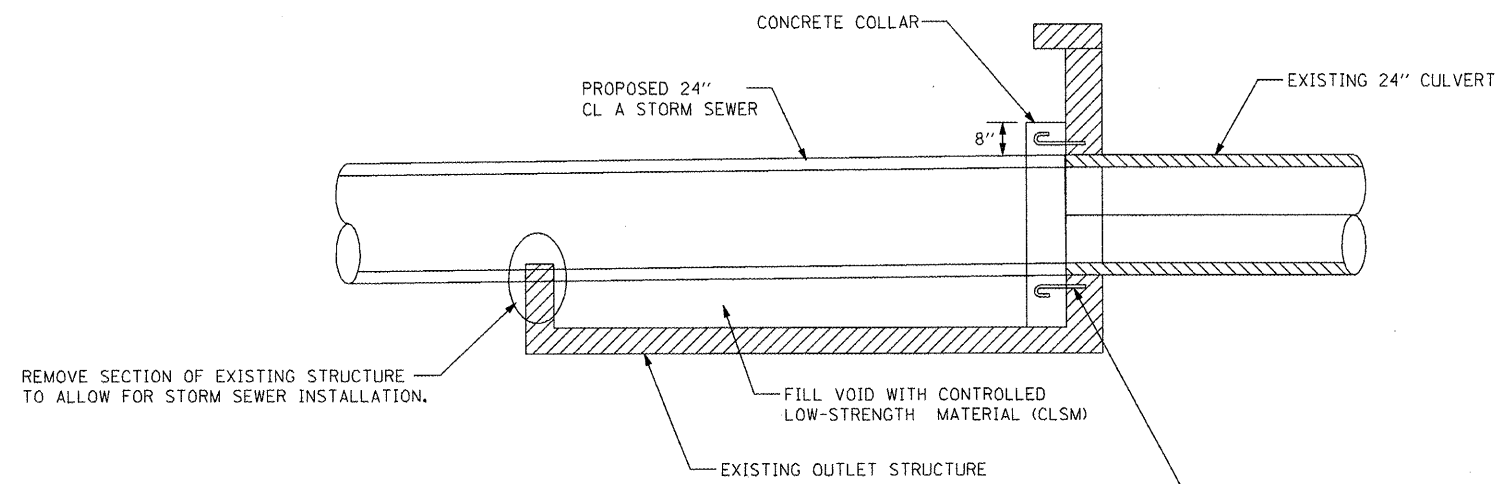
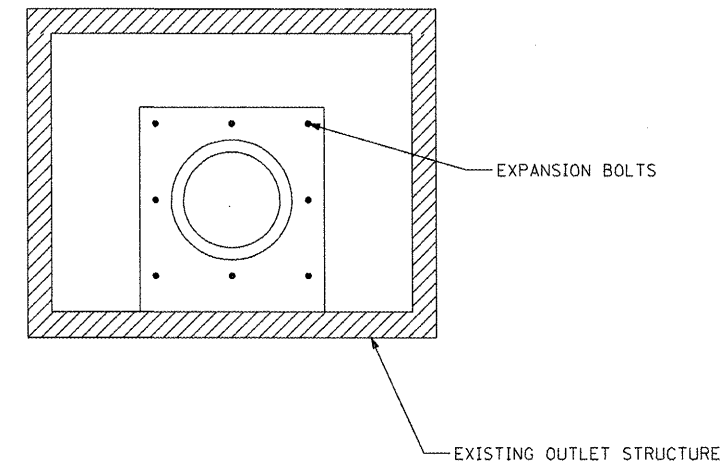


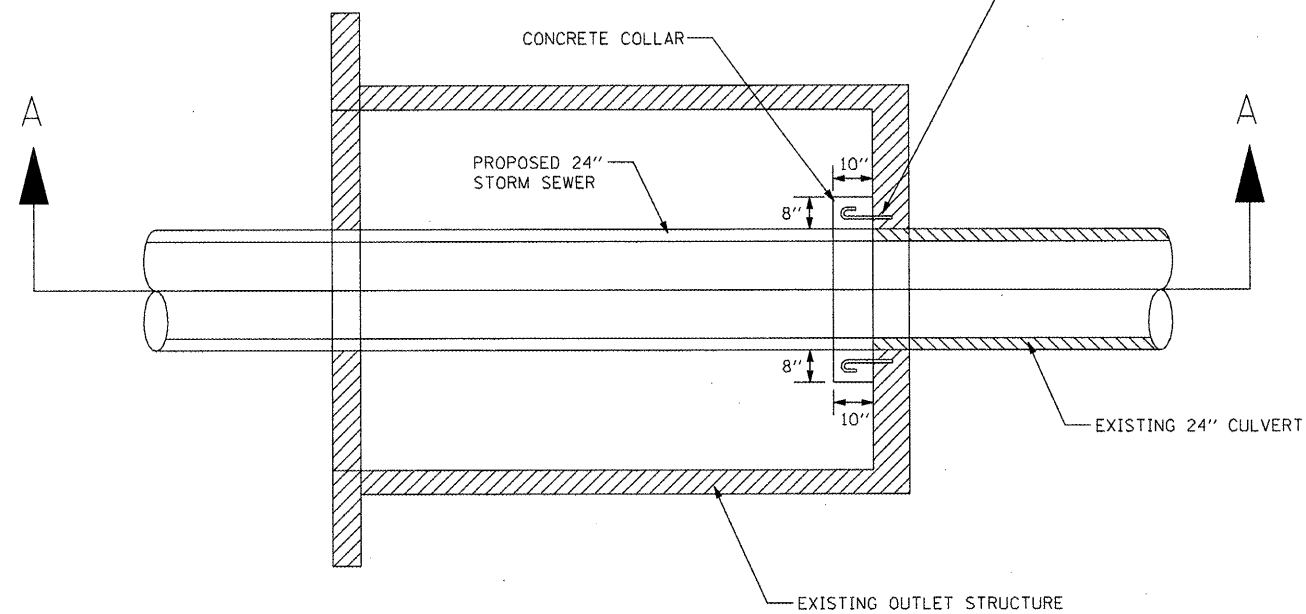
ELEVATION VIEW (A-A)



END VIEW



PLAN VIEW



GENERAL NOTES

1. THE COLLAR SHALL BE CONSTRUCTION ENTIRELY OF CLASS "SI" CONCRETE AND IN ACCORDANCE WITH THE APPLICABLE PORTIONS OF SECTION 503 SECTION 1020 OF THE STANDARD SPECIFICATIONS.
2. EXPANSION BOLTS SHALL CONSIST OF APPROVED EXPANSION ANCHORS, PROVIDING MINIMUM 3/4" Ø HOOK BOLTS. THESE BOLTS SHALL EXTEND AT LEAST 8 INCHES INTO THE NEW CONCRETE.
3. ALL WORK SHOWN ON THIS SHEET SHALL BE CONSIDERED TO BE INCLUDED IN PROPOSED STORM SEWER CONNECTION TO EXISTING CULVERT.

DETAIL

PROPOSED STORM SEWER CONNECTION TO EXISTING CULVERT

FILE NAME =	USER NAME = 100T	DESIGNED -	REVISED -	<b>STATE OF ILLINOIS DEPARTMENT OF TRANSPORTATION</b>	<b>DRAINAGE DETAILS PROPOSED STORM SEWER CONNECTION TO EXISTING CULVERT</b>				F.A.P. RTE.	SECTION	COUNTY	TOTAL SHEETS	SHEET NO.
x:\projects\200803566\dgn\04-Rte8-sht-D	L-07 DRAIN.SSconnection.dgn	DRAWN -	REVISED -		399	36 R-7	TAZEWELL	390	280				
	PLOT SCALE = 40.00' / IN.	CHECKED -	REVISED -						CONTRACT NO. 68370				
	PLOT DATE = 10/21/2011	DATE -	REVISED -						ILLINOIS FED. AID PROJECT				