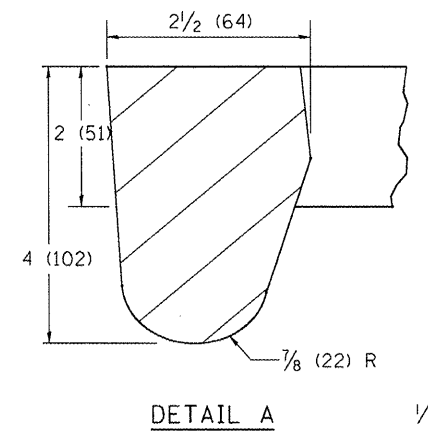
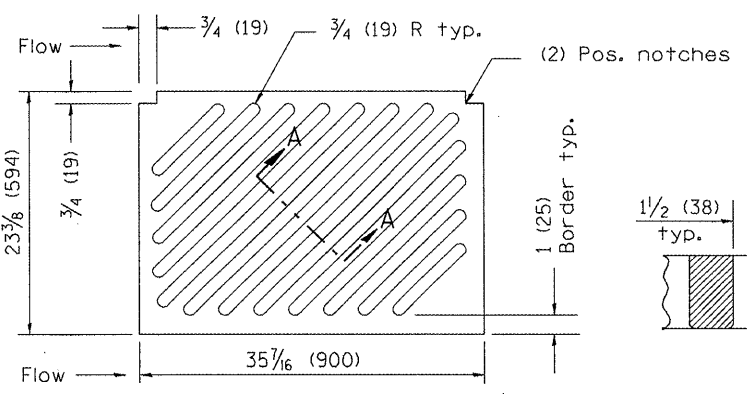
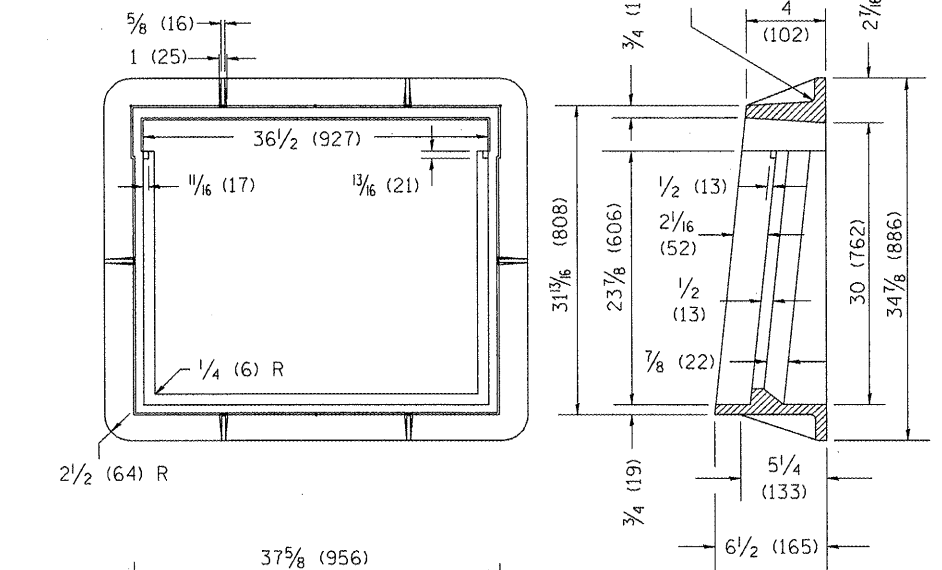
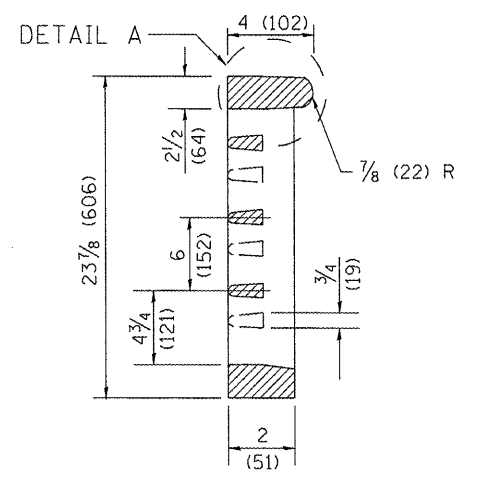
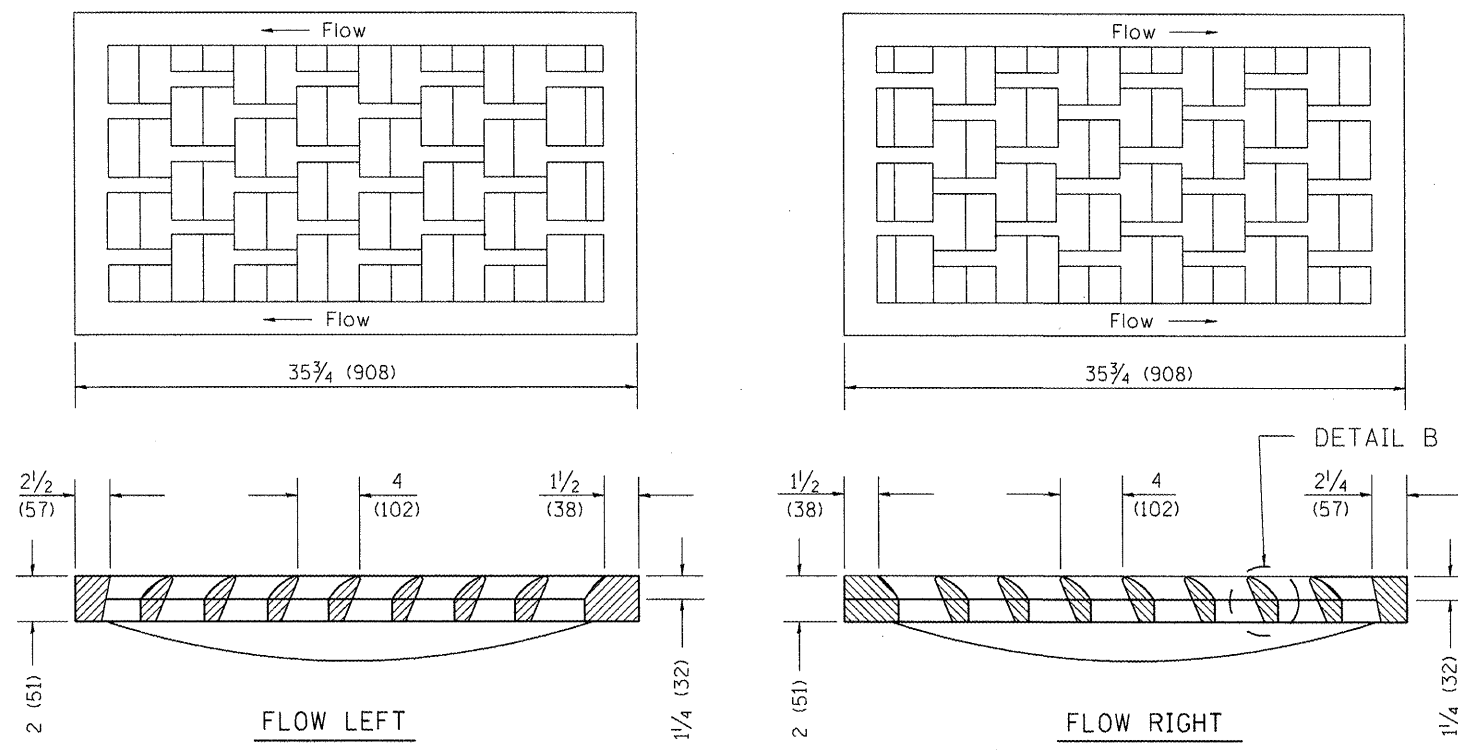
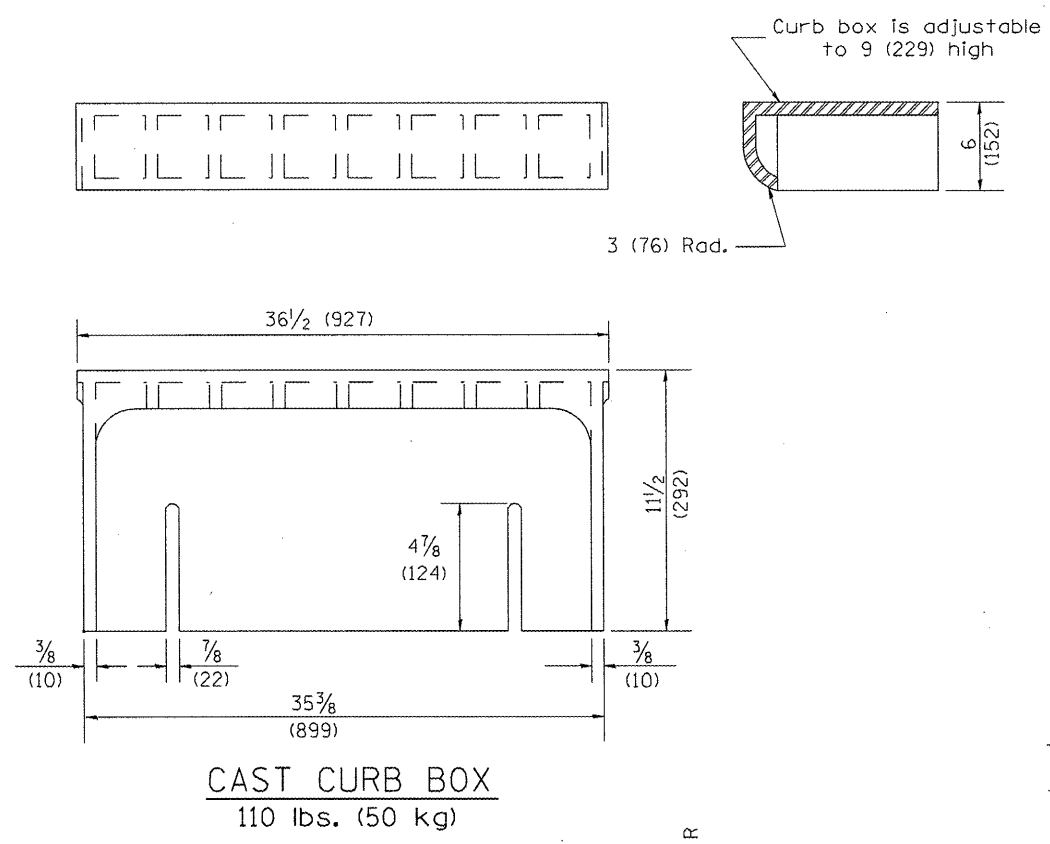
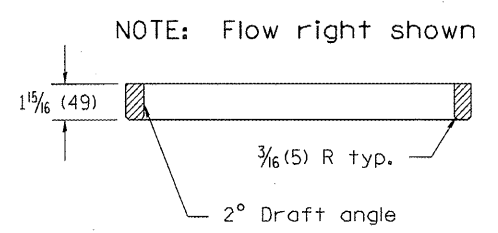
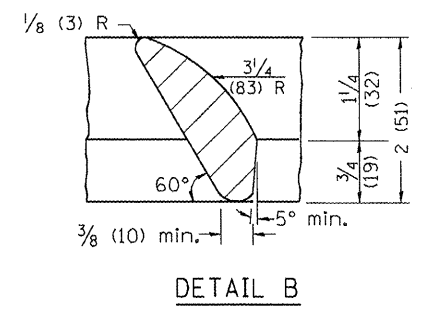


1. Specify grate types and flow directions in plans.  
 2. These castings are included in the cost of the drainage structures as per District Special Provision.  
 3. Inlet Frames: R-3246-A, Curb Box: R-3290  
 Reversible Diagonal Grate: R-3246-A  
 Vane Grates: R-3246-AL (flow left)  
 R-3246-AL (flow right)



**GENERAL NOTES**

- The frame and grate shown on this drawing are for use with all TYPE G-1 and TYPE G-1, SPECIAL DRAINAGE STRUCTURES. See plans for grate type and flow direction.
- Flow direction: As viewed from street side.
- Material: cast gray iron.



Slot for galvanized 1/2 x 2 1/2 (M12 x 64) bolt, nut and washer

All dimensions are in inches (millimeters) unless otherwise noted.

01-01-97	RENUM. B-10.01, NEW REVISION BOX	T.P.							
10-16-06	REVISED TO 2007 SPEC.	M.A.							
<b>STATE OF ILLINOIS DEPARTMENT OF TRANSPORTATION</b>					<b>FRAME &amp; GRATES FOR TYPE G-1 AND TYPE G-1, SPECIAL DRAINAGE STRUCTURES</b>				
NOT TO SCALE					CADD STD. 604001-D4				
F.A.P. RTE.	SECTION	COUNTY	TOTAL SHEETS	SHEET NO.					
399	36 R-7	TAZEWELL	390	297					
					CONTRACT NO. 68370				
					FED. ROAD DIST. NO. ILLINOIS FED. AID PROJECT				