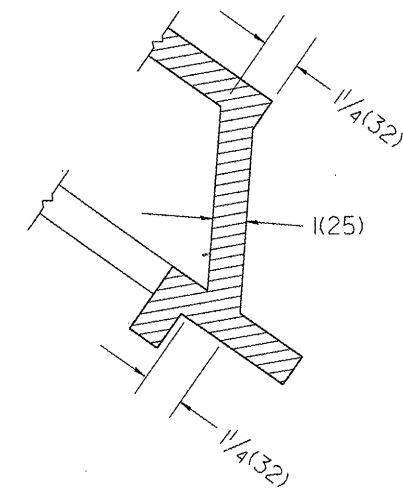
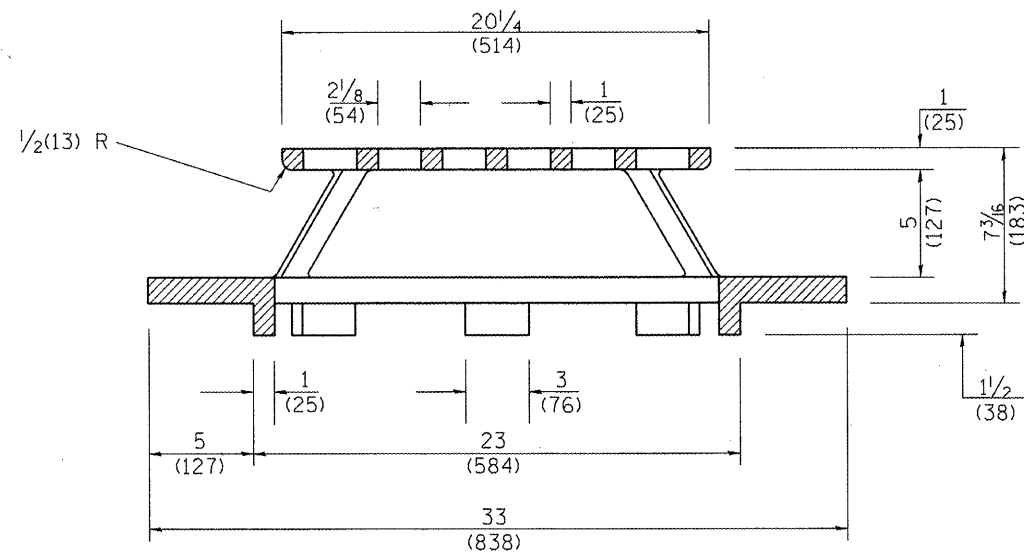


PLAN



SECTION B - B



SECTION A - A

GENERAL NOTES

1. MATERIAL - Cast Gray Iron  
Weight 209 lbs (95 kg)

DESIGNER NOTE:  
I. INCLUDE DISTRICT SPECIAL PROVISION.

01-01-97	RENUM. B-10.02, NEW REVISION BOX	T.P.			
10-16-06	REVISED TO 2007 SPEC.	M.A.			

STATE OF ILLINOIS  
DEPARTMENT OF TRANSPORTATION

NOT TO SCALE

TYPE 37 GRATE

CADD STD. 604301-D4

All dimensions are in inches (millimeters) unless otherwise noted.

F.A.P. RTE.	SECTION	COUNTY	TOTAL SHEETS	SHEET NO.
399	36 R-7	TAZEWELL	390	298
			CONTRACT NO. 68370	
FED. ROAD DIST. NO. ILLINOIS FED. AID PROJECT				