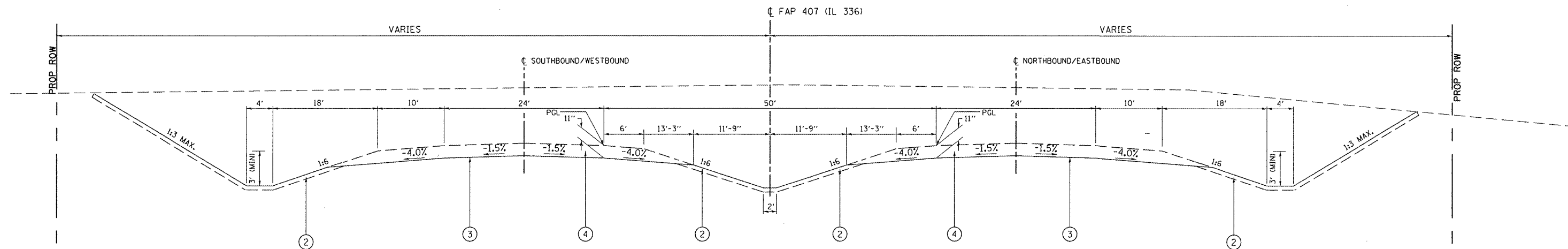


LEGEND

- ① AGGREGATE SURFACE COURSE, TYPE B 8"
- ② TOPSOIL FURNISH AND PLACE, 4"
- ③ GRADING LINE THIS CONTRACT
- ④ FUTURE PAVEMENT STRUCTURE (BY OTHERS)



PROPOSED TYPICAL GRADING SECTION  
 FAP 407 (IL 336)  
 STA 622+50.00 TO STA 627+50.00

FILE NAME = V:\Transportation\2891\1250N (ADAMS) PLAN	USER NAME = jwhite	DESIGNED -	REVISED -	<b>STATE OF ILLINOIS</b> <b>DEPARTMENT OF TRANSPORTATION</b>	<b>FAP 407 (IL 336) PREGRADE</b> <b>TYPICAL SECTIONS</b>	F.A.P. RTE. =	SECTION =	COUNTY =	TOTAL SHEETS =	SHEET NO. =
	SVADAMST001.dgn	DRAWN -	REVISED -			407	55-3HB-1	McDONOUGH	103	9
	PLOT SCALE = 20,000 / IN.	CHECKED -	REVISED -			DATE =	CONTRACT NO. 68A41			
PLOT DATE = 10/21/2011	DATE = 10/20/11	REVISED -		SCALE: N/A	SHEET NO. OF SHEETS	STA. TO STA.	ILLINOIS FED. AID PROJECT			