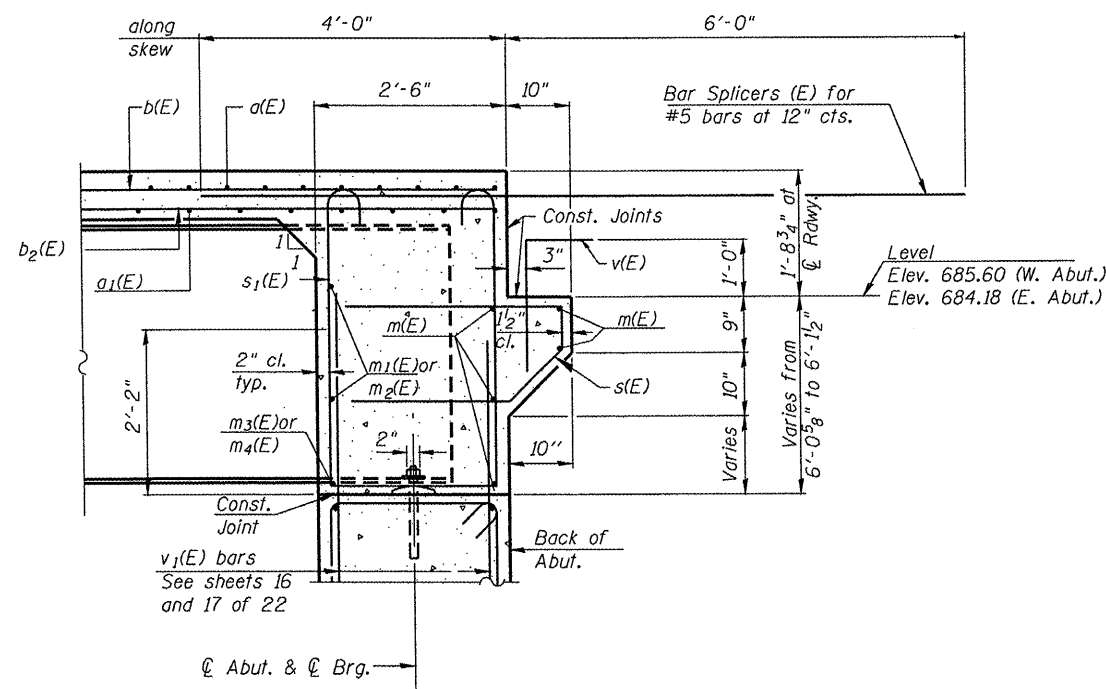


**DIAPHRAGM ELEVATION AT ABUTMENT**  
 (East Diaphragm shown, looking East, West diaphragm similar)

Notes:  
 Reinforcement bars in diaphragm are billed with superstructure on sheet S10 of S23.  
 Concrete in diaphragm is included with Concrete Superstructure on sheet S10 of S23.  
 For details of bars s(E) & s<sub>1</sub>(E) see sheet S10 of S23.  
 The s(E) and s<sub>1</sub>(E) bars shall be placed parallel to the beams. Spacing for these bars shall be at right angles to the beams.

**MIN. BAR LAP**  
 #6 bar = 3'-1"



**SECTION A-A**  
 Dimensions at right angles to abutment, except as shown.



225 W. OHIO ST., FOURTH FL.  
 CHICAGO, IL 60654  
 W3121467-8123 F3121467-8228  
 WWW.TERRAENGINEERING.COM

FILE NAME D468418.011.Diaphragm.dgn	USER NAME = TERRA	DESIGNED - OY	REVISED -
		CHECKED - DA	REVISED -
	PLOT SCALE = 5/8 " = 1' / IN.	DRAWN - CM	REVISED -
	PLOT DATE = 11/29/2011	CHECKED - JB	REVISED -

**STATE OF ILLINOIS**  
**DEPARTMENT OF TRANSPORTATION**

**INTEGRAL ABUTMENT DIAPHRAGM DETAILS**  
**STRUCTURE NO. 055-0067**

SHEET NO. S11 OF S23 SHEETS

F.A.P. RTE. 407	SECTION 55-3HB-1	COUNTY McDONOUGH	TOTAL SHEETS 103	SHEET NO. 36
CONTRACT NO. 68A41				
ILLINOIS FED. AID PROJECT				