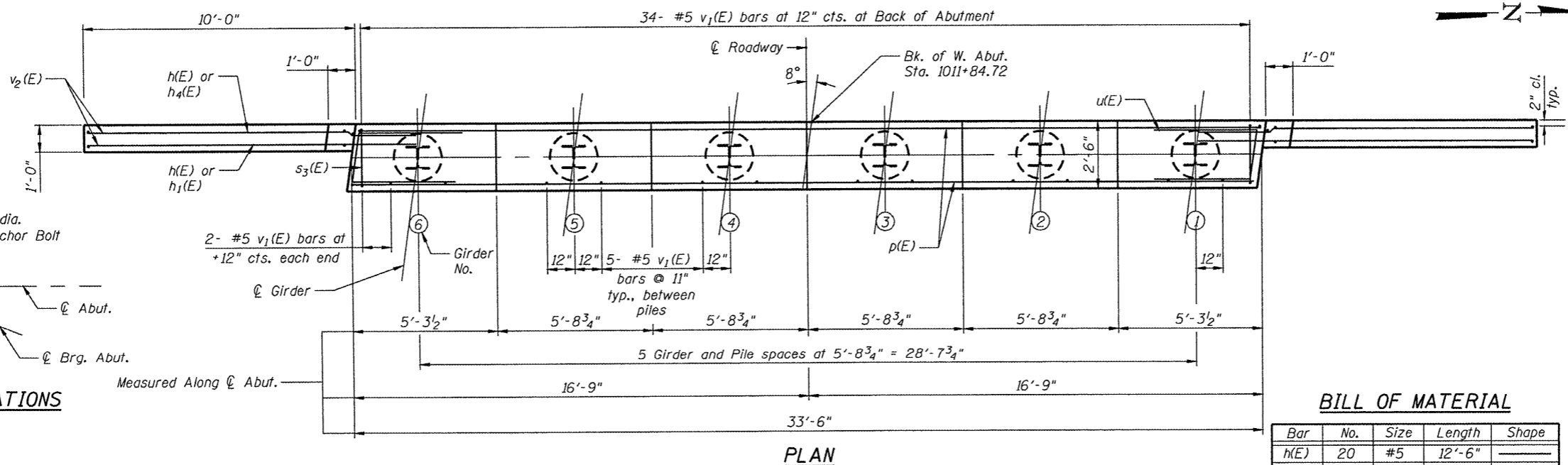
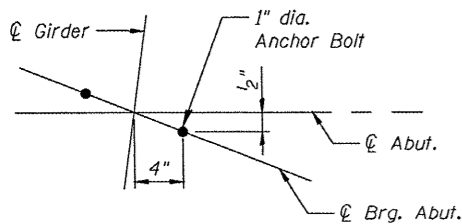


SECTION A-A



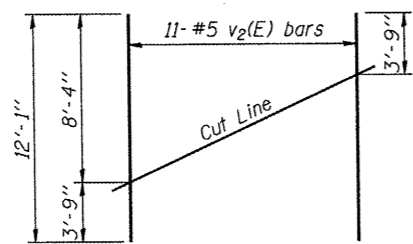
PLAN

ANCHOR BOLTS LOCATIONS

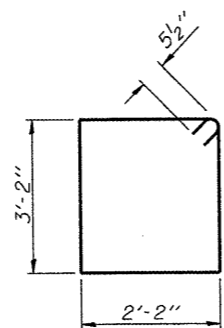


PILE DATA

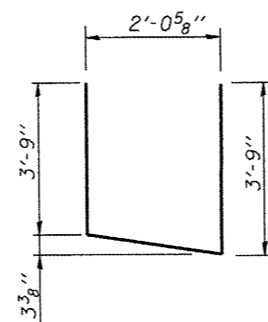
Type: HP 12x63
 Nominal Required Bearing: 410 kips
 Allowable Resistance Available: 226 kips
 Est. Length: 34 ft.
 No. Production Piles: 5 Each
 No. Test Piles: 1 Each



FIELD CUTTING DIAGRAM
 Order v2(E) full length. Cut as shown and use remainder of bars in opposite face.



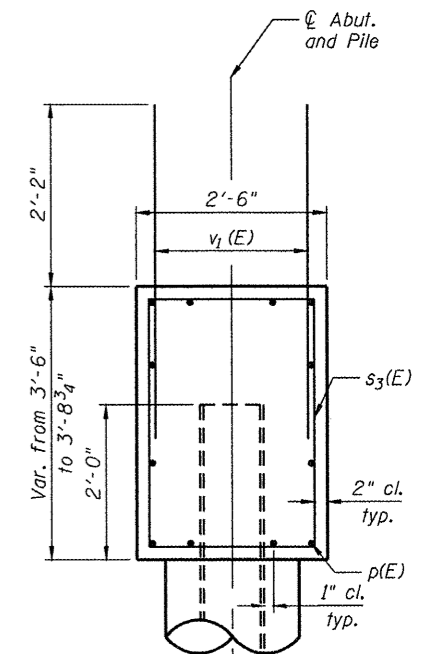
BAR s3(E)



BAR u(E)

BILL OF MATERIAL

Bar	No.	Size	Length	Shape
h(E)	20	#5	12'-6"	—
h1(E)	10	#5	11'-9"	—
h4(E)	14	#7	15'-0"	—
p(E)	12	#7	33'-2"	—
s3(E)	31	#5	11'-7"	□
u(E)	8	#6	9'-7"	—
v1(E)	63	#5	4'-4"	—
v2(E)	22	#5	12'-1"	—
Structure Excavation		Cu. Yd.	187	
Concrete Structures		Cu. Yd.	16.5	
Concrete Encasement		Cu. Yd.	2.1	
Reinforcement Bars, Epoxy Coated		Pound	3195	
Test Pile HP 12x63		Each	1	
Furnishing Steel Piles, HP 12x63		Foot	170	
Driving Piles		Foot	170	



SECTION B-B



225 W. OHIO ST., FOURTH FL.
 CHICAGO, IL 60654
 W3121467-0123 F3121467-0228
 WWW.TERRAENGINEERING.COM

FILE NAME D468418.017_west-abut.dgn	USER NAME = TERRA	DESIGNED - OY	REVISED -
		CHECKED - DA	REVISED -
	PLOT SCALE = 5/8" = 1' IN.	DRAWN - CM	REVISED -
	PLOT DATE = 12/1/2011	CHECKED - JB	REVISED -

STATE OF ILLINOIS
 DEPARTMENT OF TRANSPORTATION

WEST ABUTMENT PLAN AND ELEVATION
 STRUCTURE NO. 055-0067

SHEET NO. 517 OF 523 SHEETS

F.A.P. RTE. 407	SECTION 55-3HB-1	COUNTY McDONOUGH	TOTAL SHEETS 103	SHEET NO. 42
CONTRACT NO. 68A41			ILLINOIS FED. AID PROJECT	