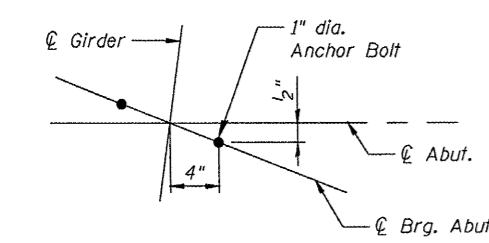
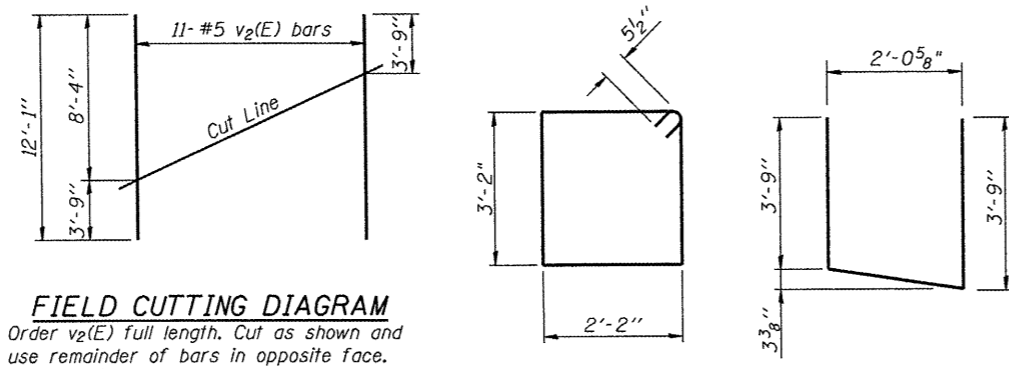


ANCHOR BOLTS LOCATIONS



PILE DATA

Type: HP 12x63
 Nominal Required Bearing: 406 kips
 Allowable Resistance Available: 223 kips
 Est. Length: 55 Feet
 No. Production Piles: 5 Each
 No. Test Piles: 1 Each



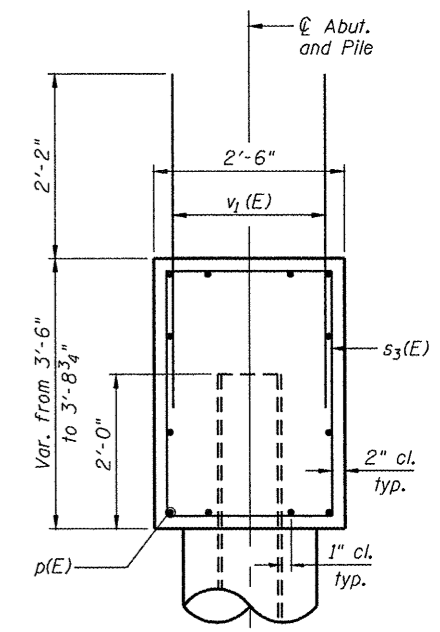
FIELD CUTTING DIAGRAM
 Order v2(E) full length. Cut as shown and use remainder of bars in opposite face.

BAR s3(E)

BAR u(E)

BILL OF MATERIAL

Bar	No.	Size	Length	Shape
h(E)	20	#5	12'-6"	—
h1(E)	10	#5	11'-9"	—
h4(E)	14	#7	15'-0"	—
p(E)	12	#7	33'-2"	—
s3(E)	31	#5	11'-7"	□
u(E)	8	#6	9'-7"	▤
v1(E)	63	#5	4'-4"	—
v2(E)	22	#5	12'-1"	—
Structure Excavation			Cu. Yd.	187
Concrete Structures			Cu. Yd.	16.5
Concrete Encasement			Cu. Yd.	2.1
Reinforcement Bars, Epoxy Coated			Pound	3195
Test Pile HP 12x63			Each	1
Furnishing Steel Piles, HP 12x63			Foot	275
Driving Piles			Foot	275



SECTION B-B

TERRA ENGINEERING LTD.
 225 W. OHIO ST., FOURTH FL.
 CHICAGO, IL 60654
 (312) 467-8123 F(312) 467-8228
 WWW.TERRAENGINEERING.COM

FILE NAME D468418_018_east-abut.dgn	USER NAME = TERRA	DESIGNED - OY	REVISED -
		CHECKED - DA	REVISED -
		PLOT SCALE = 5/8" = 1' / 16"	DRAWN - CM
		PLOT DATE = 12/1/2011	CHECKED - JB
			REVISED -

STATE OF ILLINOIS
DEPARTMENT OF TRANSPORTATION

EAST ABUTMENT PLAN AND ELEVATION
STRUCTURE NO. 055-0067

SHEET NO. 518 OF 523 SHEETS

F.A.P. RTE. 407	SECTION 55-3HB-1	COUNTY McDONOUGH	TOTAL SHEETS 103	SHEET NO. 43
CONTRACT NO. 68A41				ILLINOIS FED. AID PROJECT