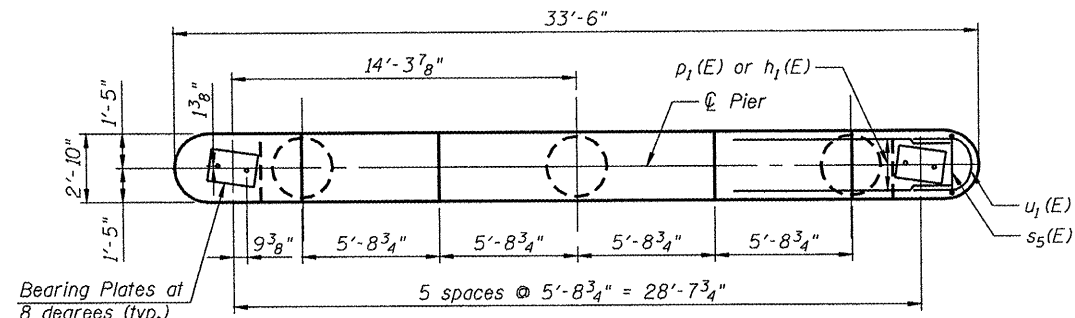
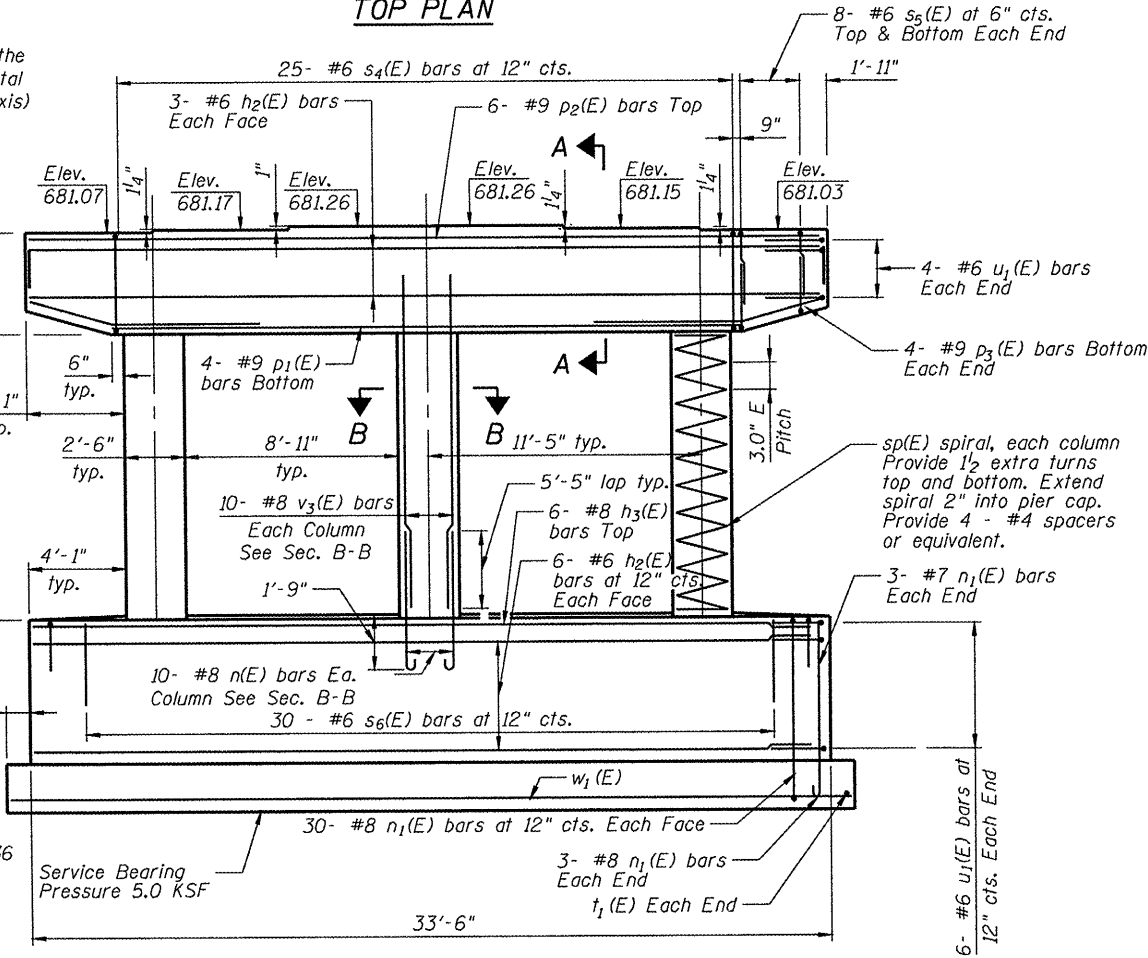


Notes:
 Pour steps monolithically with cap.
 Space reinforcement in cap to miss anchor bolts.

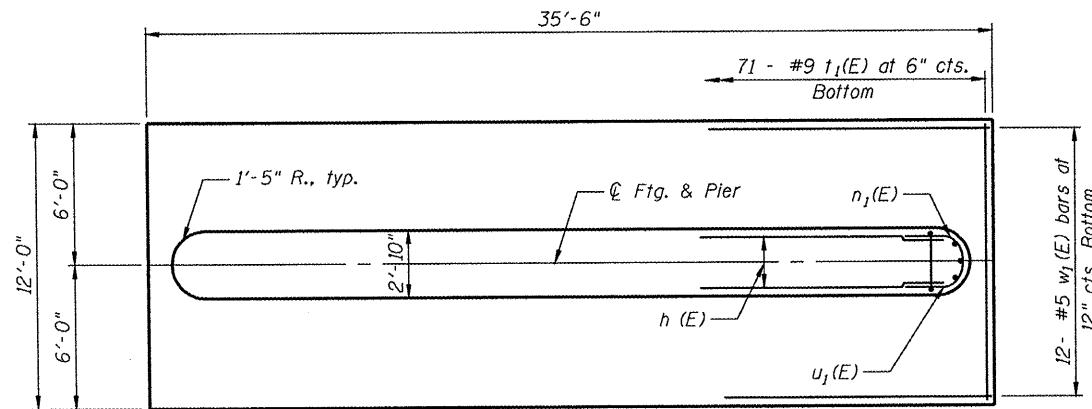


Bearing Plates at 8 degrees (typ.)
 (Drill holes at 1 3/8" and 9 3/8" offsets from the shown horizontal and vertical axis)

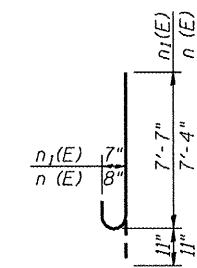
TOP PLAN



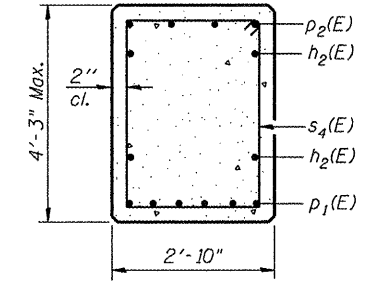
ELEVATION
 (Looking East)



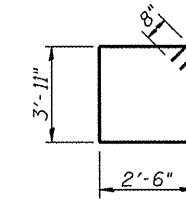
FOOTING PLAN



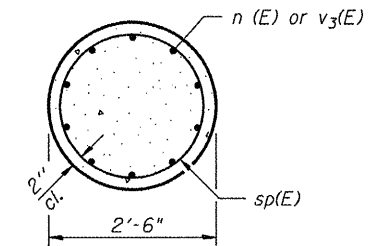
BAR n1(E), n2(E)



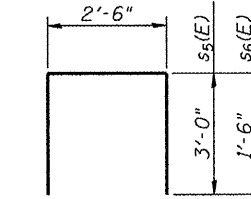
SEC. A-A



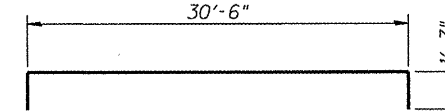
BAR s4(E)



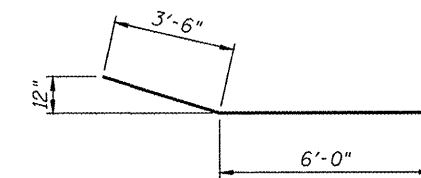
SEC. B-B



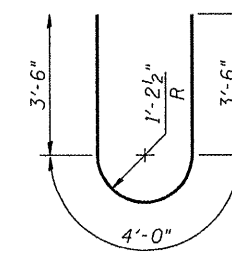
BARS s5(E) and s6(E)



BARS p2(E)



BARS p3(E)



BAR u1(E)

BILL OF MATERIAL

Bar	No.	Size	Length	Shape
h2(E)	18	#6	30'-0"	—
h3(E)	6	#8	30'-0"	—
n(E)	30	#8	8'-3"	U
n1(E)	96	#8	8'-6"	U
p1(E)	4	#9	25'-0"	—
p2(E)	6	#9	33'-8"	—
p3(E)	8	#9	9'-6"	—
s4(E)	25	#6	14'-2"	□
s5(E)	32	#6	8'-6"	U
s6(E)	30	#6	5'-6"	U
sp(E)	3	#3	14'-2"	~
t1(E)	71	#9	11'-8"	—
u1(E)	20	#6	11'-0"	U
v3(E)	30	#8	14'-0"	—
w1(E)	12	#5	35'-2"	—
Structure Excavation		Cu. Yd.	86	
Concrete Structures		Cu. Yd.	74	
Reinforcement Bars, Epoxy Coated		Pound	14230	

** Length is height of spiral.

TERRA ENGINEERING LTD.
 225 W. OHIO ST., FOURTH FL.
 CHICAGO, IL 60654
 W1312467-8123 F(312)467-8228
 WWW.TERRAENGINEERING.COM

FILE NAME: D468418.019.pier.dgn
 USER NAME: TERRA
 PLOT SCALE: 8x8.0000 1' / IN.
 PLOT DATE: 11/29/2011

DESIGNED - OY
 CHECKED - DA
 DRAWN - CM
 CHECKED - JB
 REVISED -
 REVISED -
 REVISED -
 REVISED -

STATE OF ILLINOIS
 DEPARTMENT OF TRANSPORTATION

PIER DETAILS
 STRUCTURE NO. 055-0067

SHEET NO. S19 OF S23 SHEETS

F.A.P. SECTION COUNTY TOTAL SHEETS SHEET NO.
 RTE. 407 55-3HB-1 MCDONOUGH 103 44
 CONTRACT NO. 68A41
 ILLINOIS FED. AID PROJECT