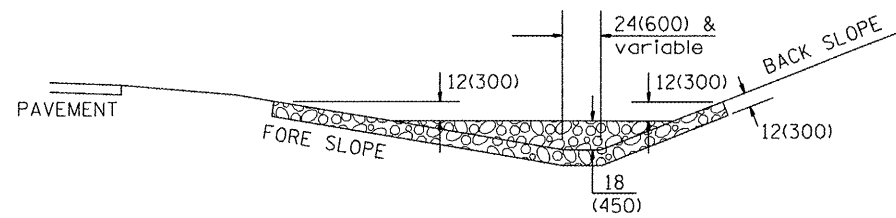
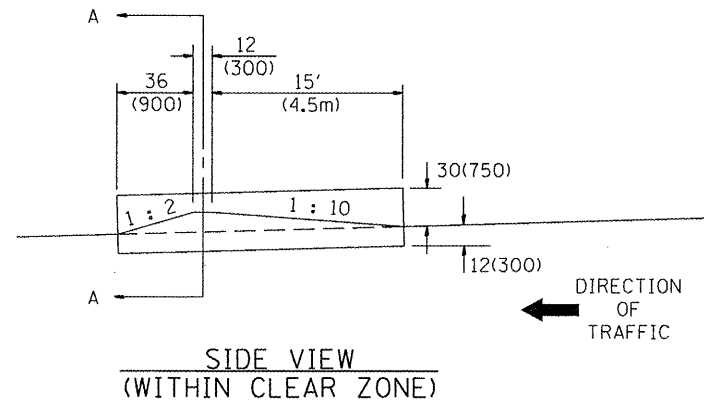


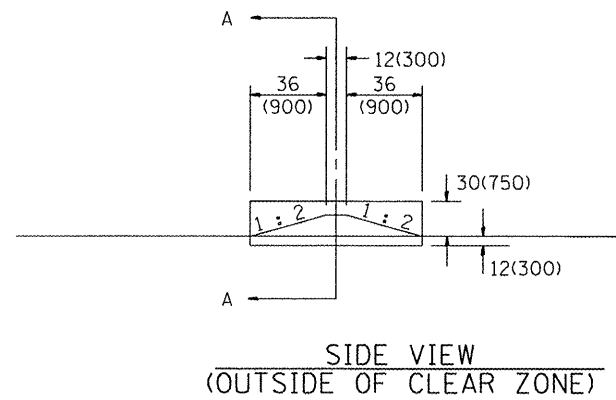
DESIGNER NOTES:
 1. Designer to modify this detail Special Detail Sheet, as needed, for inclusion in plans.
 2. Determine the required clear zone in order to select the berm slopes.
 3. Include State Standard 280001.



SECTION A - A

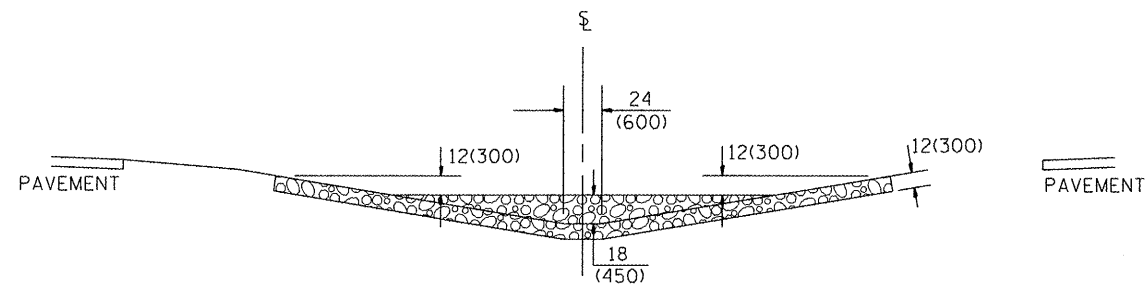


SIDE VIEW
(WITHIN CLEAR ZONE)

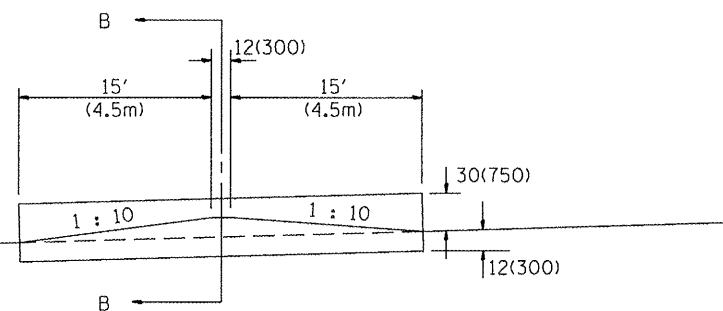


SIDE VIEW
(OUTSIDE OF CLEAR ZONE)

SIDE DITCH AGGREGATE DITCH CHECK



SECTION B - B



SIDE VIEW

MEDIAN AGGREGATE DITCH CHECK

NOTES:

- FOR DITCH BOTTOM PROTECTED BY EXCELSIOR BLANKET, USE 400'(120m) SPACING. FOR SEEDED DITCH BOTTOM, USE 200'(60m) SPACING.
- THIS WORK CONSISTS OF THE COMPLETE INSTALLTION OF EROSION CONTROL DITCH CHECK AT LOCATIONS AS SHOWN ON THE PLANS, OR AS DIRECTED BY THE ENGINEER. THE AGGREGATE GRADATION SHALL BE RR3 WITH A MINIMUM QUALITY OF CLASS B.

ESTIMATE QUANTITIES

STATION	LOCATION	SIDE DITCH		NUMBER OF DITCH CHECKS	FORE SLOPE	DITCH BOTTOM WIDTH	BACK SLOPE	BERM SLOPE	AGGREGATE DITCH CHECK EROSION CONTROL METRIC (TON/TON)
		LEFT	RIGHT						
IL 336									
620+50		266.1'		1	1:6	4'	1:3	1:2	21
621+25		268.9'		1	1:6	4'	1:3	1:2	21
622+25		272.6'		1	1:6	4'	1:3	1:2	21
622+44		175.0'		1	1:2	4'	1:2	1:2	12
622+44		25.0'		1	1:2	4'	1:2	1:2	12
622+50			79.0'	1	1:6	4'	1:3	1:10	53
622+75	€			1	1:6	2'	1:6	1:10	95
622+75		79.0'		1	1:6	4'	1:3	1:10	53
623+25		276.3'		1	1:6	4'	1:3	1:2	21
623+50			79.0'	1	1:6	4'	1:3	1:10	53
623+75	€			1	1:6	2'	1:6	1:10	95
623+75		79.0'		1	1:6	4'	1:3	1:10	53
624+50	€			1	1:6	2'	1:6	1:10	95
625+75	€			1	1:6	2'	1:6	1:10	95
626+50			79.0'	1	1:6	4'	1:3	1:10	53
626+75	€			1	1:6	2'	1:6	1:10	95
626+75		88.5'		1	1:6	4'	1:3	1:2	53
TOTAL = 901 TON									

QUANTITIES	
CALC. BY: _____	DATE: _____
CHECKED BY: _____	DATE: _____
QUANTITY CALCULATIONS ARE ON FILE AT THE DISTRICT 4 OFFICE, BUREAU OF PROJECT IMPLEMENTATION; DOCUMENTATION SECTION	

1-1-97	RENUM. A-12.04, NEW REVISION BOX, REVISED TITLE BOX, ADDED QUANTITY CALCULATION BOX	T.P.			
9-15-05	REVISED DESIGNER NOTE	M.A.			
10-16-06	REVISED RR3 QUALITY & TO 2007 SPEC.	M.A.			

STATE OF ILLINOIS
DEPARTMENT OF TRANSPORTATION

EROSION CONTROL AGGREGATE DITCH CHECK

NOT TO SCALE

CADD STD. 280101-D4

F.A.P. RTE.	SECTION	COUNTY	TOTAL SHEETS	SHEET NO.
407	55-3HB-1	McDONOUGH	103	51
				CONTRACT NO. 68A41
FED. ROAD DIST. NO. ILLINOIS FED. AID PROJECT				

All slope ratios are expressed as units of vertical displacement to units of horizontal displacement (V:H).
 All dimensions are in inches (millimeters) unless otherwise noted.