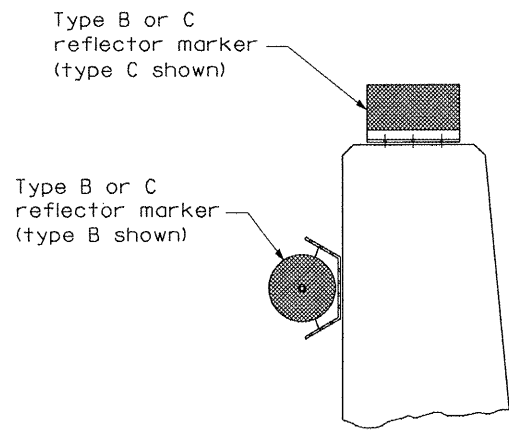
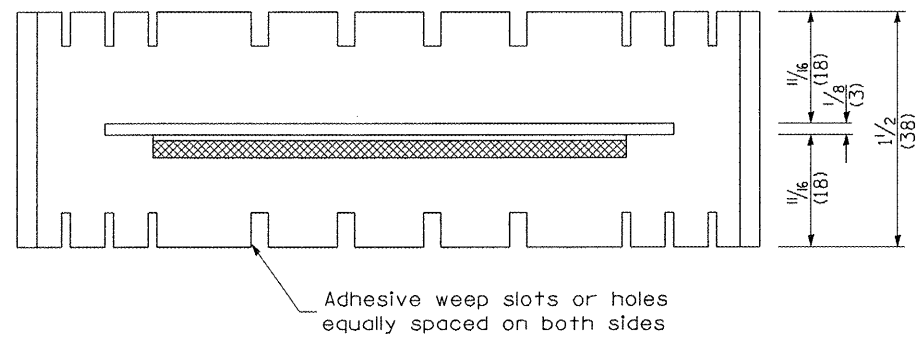


TYPICAL MOUNTING DETAIL
FOR BRIDGE RAIL REFLECTOR

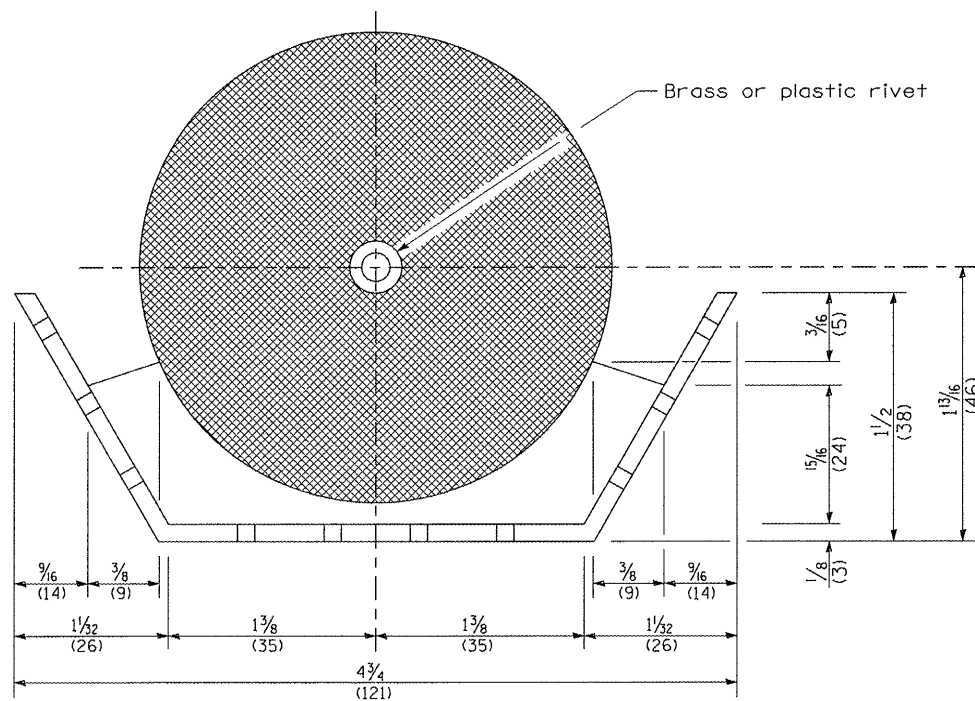


TYPICAL MOUNTING DETAIL
FOR BARRIER WALL REFLECTOR

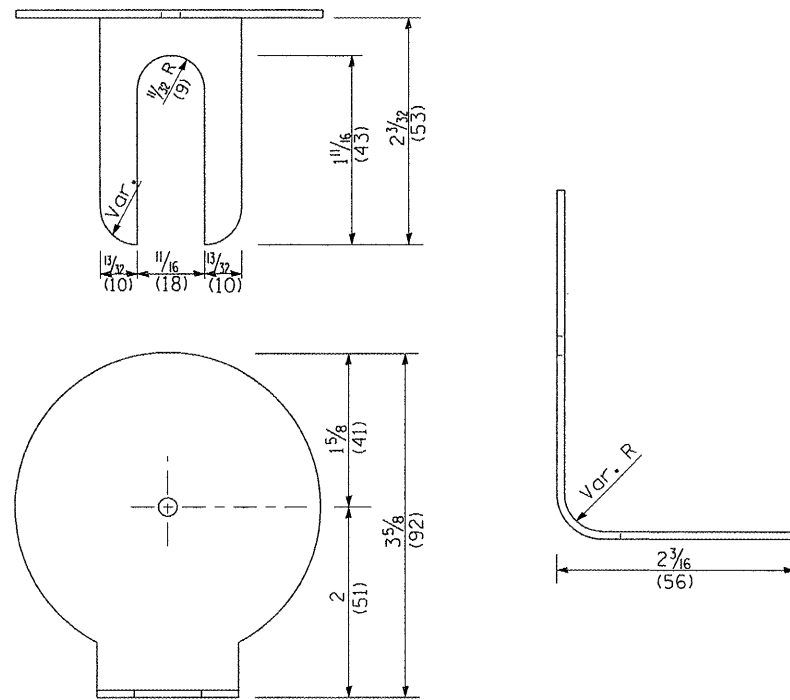
REFLECTOR MOUNTING



Adhesive weep slots or holes
equally spaced on both sides

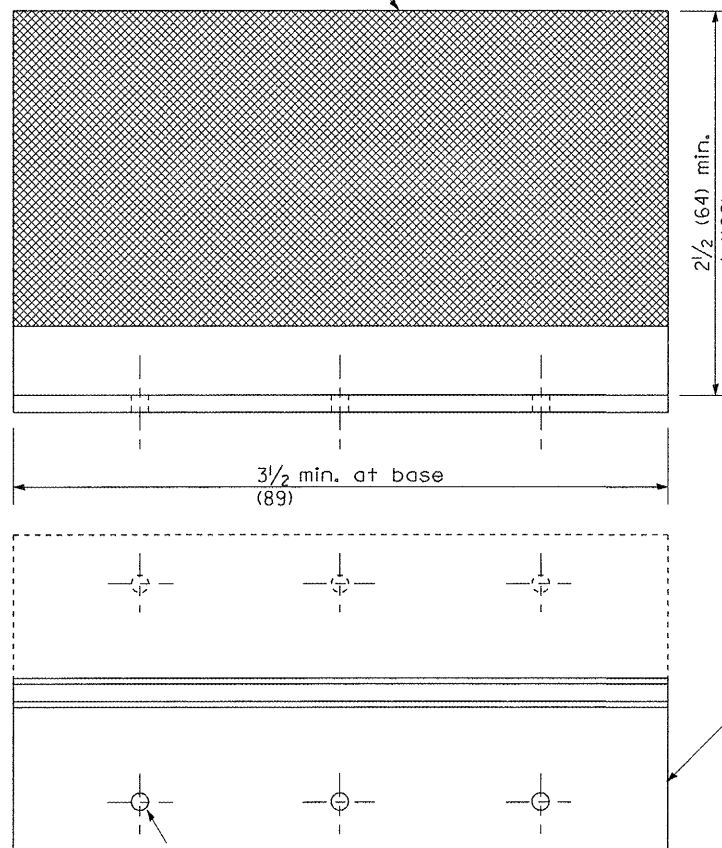


REFLECTOR MARKER TYPE B



REFLECTOR MARKER TYPE A

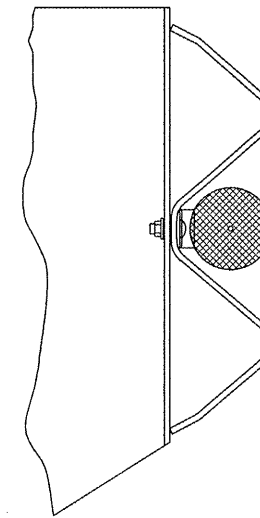
Min. reflective area 6 1/2 sq. in. (4,194 mm²)
each side. May be rectangular or slight
trapezoid.



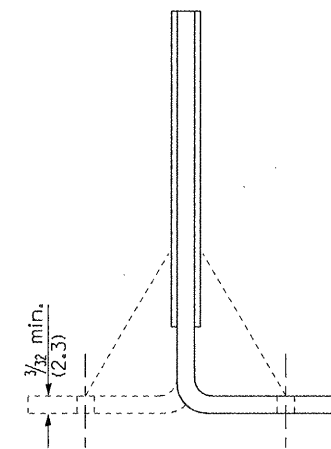
REFLECTOR MARKER TYPE C

3 min. adhesive weep
holes or slots each side,
variable spacing.

Minimum total area of
base 7.0 Sq. in. (4,516 mm²)



TYPICAL GUARDRAIL MOUNTING WITH
REFLECTOR MARKER TYPE A



Cross section may be "T"
or "L" shaped and may have
side supports at ends.

REFLECTORS

All dimensions are in inches (millimeters)
unless otherwise noted.

--	--	--	--	--	--	--	--	--	--

STATE OF ILLINOIS
DEPARTMENT OF TRANSPORTATION

GUARDRAIL AND BARRIER WALL DELINEATION

NOT TO SCALE

SHT. 3 OF 3
CADD STD. 635101-D4

F.A.P. RTE. 407	SECTION 55-3HB-1	COUNTY McDONOUGH	TOTAL SHEETS 103	SHEET NO. 60
FED. ROAD DIST. NO. ILLINOIS FED. AID PROJECT			CONTRACT NO. 68A41	