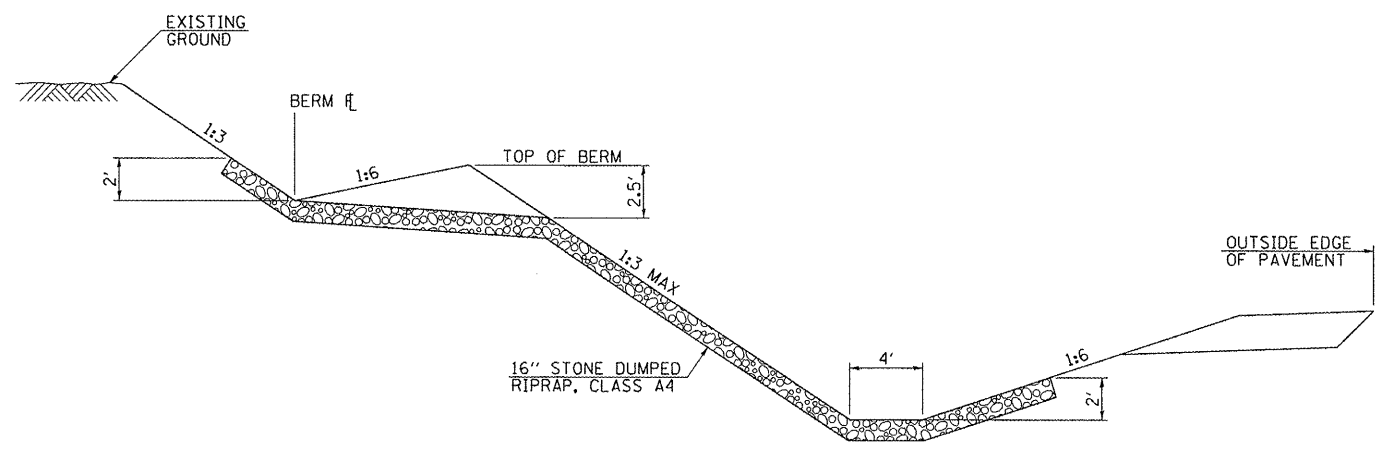
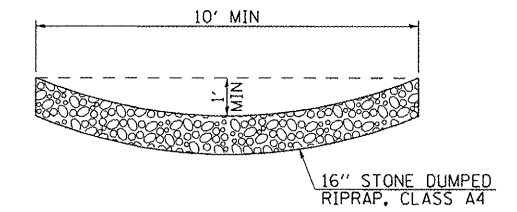


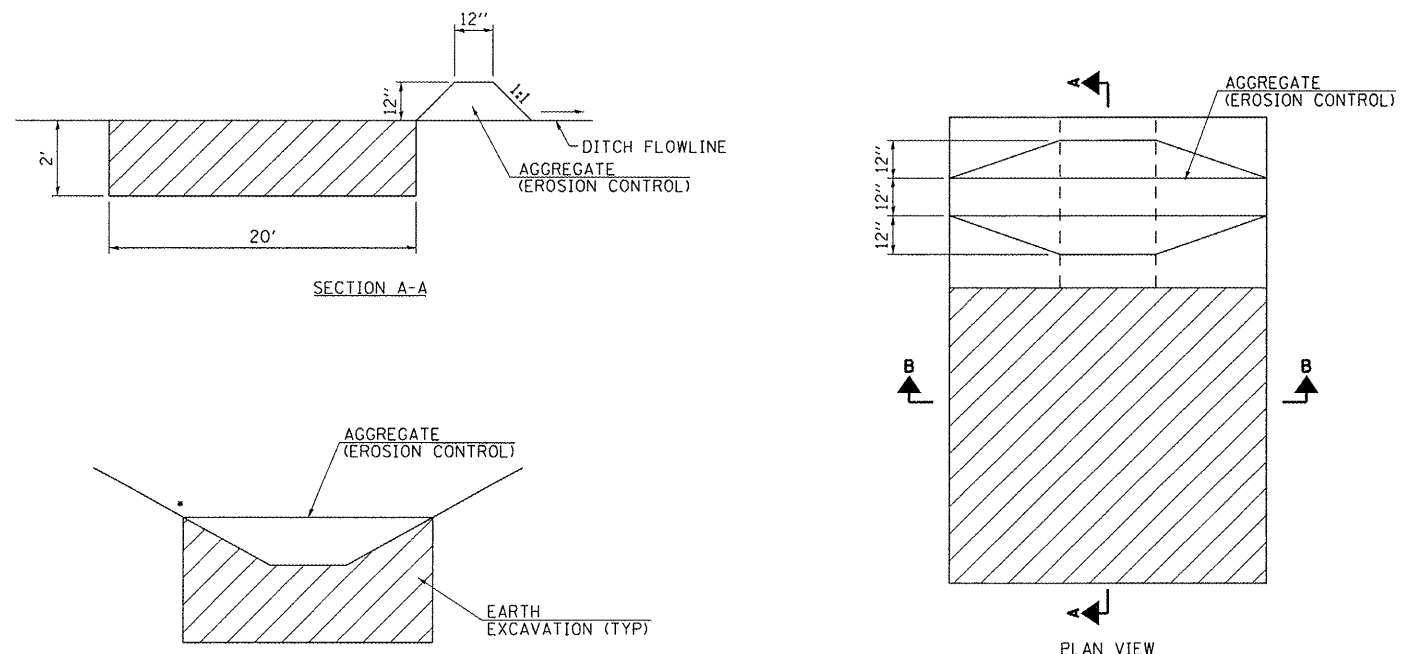
TYPICAL STONE RIPRAP SLOPE PROTECTION



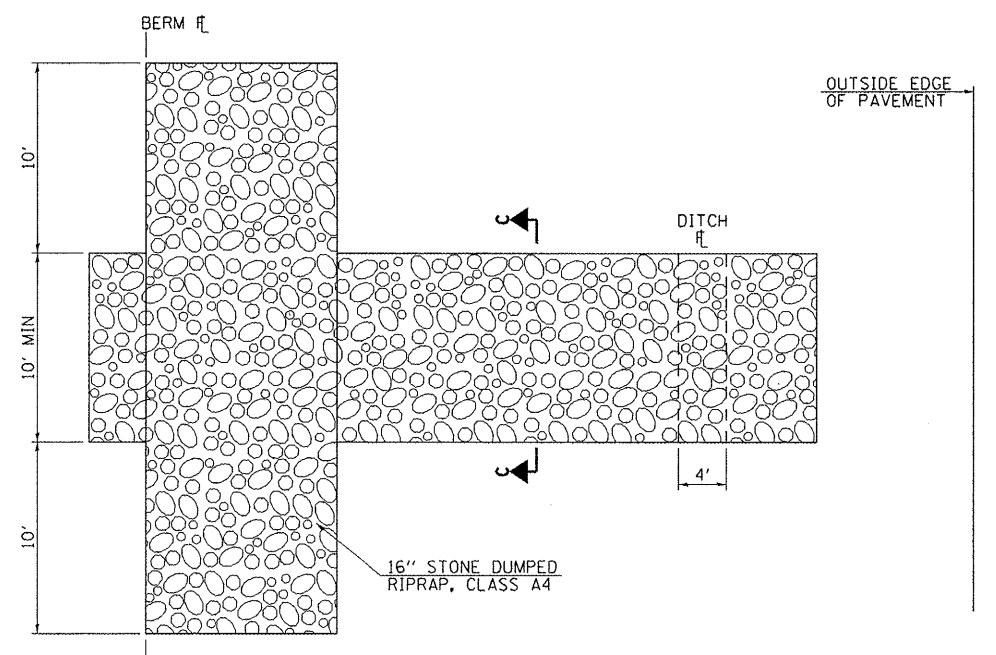
ELEVATION VIEW



SECTION C-C



SEDIMENT BASIN  
• SEE SCHEDULE FOR DETAILS



PLAN VIEW  
RIPRAP AT BACKSLOPE OF BERM OUTLET

FILE NAME =	USER NAME = jwhite	DESIGNED - JRB	REVISED -	<b>STATE OF ILLINOIS DEPARTMENT OF TRANSPORTATION</b>	<b>SPECIAL DETAILS</b>			F.A.P. RTE.	SECTION	COUNTY	TOTAL SHEETS	SHEET NO.
V:\Transportation\2891\1250N (ADAMS) PLAN	S:\ADAMS0001.dgn	DRAWN - TJD	REVISED -		407	55-3HB-1	McDONOUGH	103	62			
	PLOT SCALE = 1/8" = 1'-0"	CHECKED - JRB	REVISED -		CONTRACT NO. 68A41							
	PLOT DATE = 10/21/2011	DATE - 10/20/11	REVISED -		ILLINOIS FED. AID PROJECT							
				SCALE:	SHEET NO.	OF	SHEETS	STA.	TO STA.			