

GENERAL NOTES

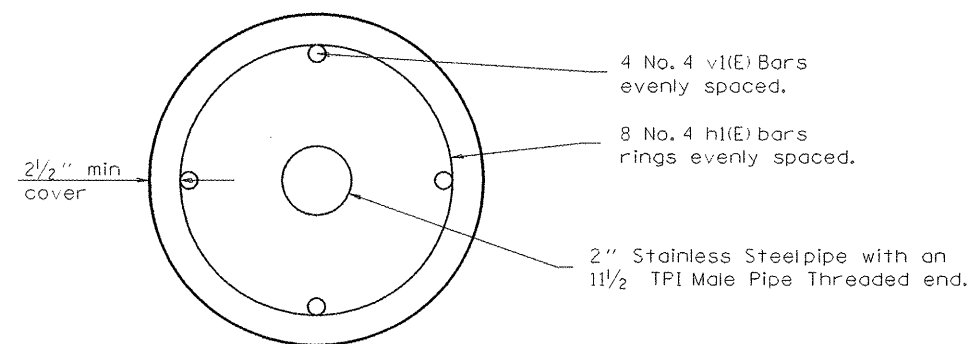
All pedestal reinforcement steel shall be epoxy coated.

The cost of reinforcement and concrete shall be included in the cost of the pedestal.

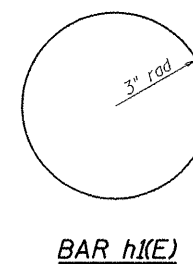
The foundation and pedestal shall be poured monolithically and shall have no construction joints.

All dimensions are in inches unless otherwise shown.

PEDESTAL ELEVATION



SECTION A-A



BAR h(E)

BILL OF MATERIALS

BAR	SHAPE	NO.	SIZE	LENGTH
spiral(E)	○	1	#4	241'-10"
h(E)	○	8	#4	1'-7"
v(E)	—	4	#11	19'-2"
v(E)	—	4	#4	15'-7"
*CONCRETE STRUCTURES	CU. YDS.	5.5		
*REINFORCEMENT BARS, EPOXY COATED	LBS.	619		

*FOR INFORMATION ONLY

FILE NAME :	USER NAME : hoganbj	DESIGNED - BJH 7/29/2011	REVISED -	STATE OF ILLINOIS DEPARTMENT OF TRANSPORTATION	GPS ANTENNA PEDESTAL DETAIL	F.A.I. RTE.:	SECTION	COUNTY	TOTAL SHEETS	SHEET NO.
c:\pwwork\puidat\hoganbj\d0273753\057063.sht-details.dgn	DRAWN - BJH 7/29/2011	REVISED -	74			GPS CORE STATION 2012-	VENILION	8	7	
PLOT SCALE = 40.0000 1/ in.	CHECKED -	REVISED -	CONTRACT NO. 70963							
PLOT DATE = 10/5/2011	DATE -	REVISED -	ILLINOIS FED. AID PROJECT							
				SCALE: _____	SHEET NO. _____ OF _____ SHEETS	STA. _____ TO STA. _____				