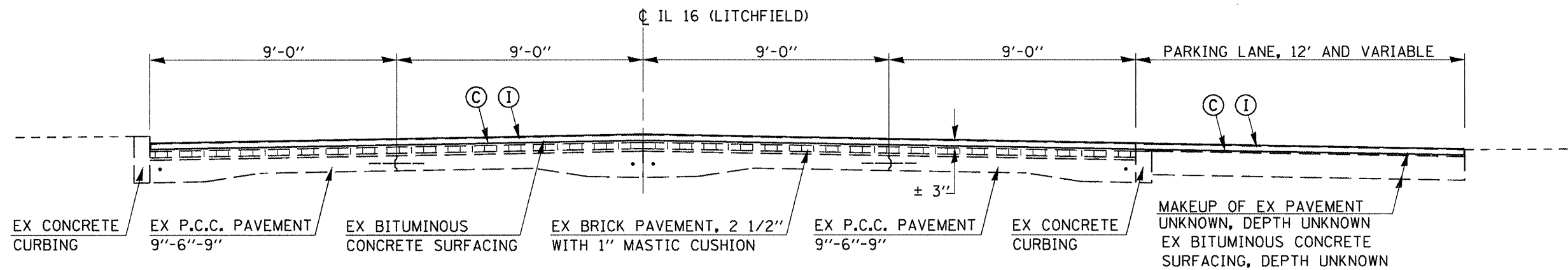


TYPICAL #E

RAILROAD OMISSION:
 STA. 0+13.85 TO STA. 0+22.42
 STA. 0+22.42 TO STA. 02+58.51
RAILROAD OMISSION:
 STA. 2+58.51 TO STA. 3+73.86
 STA. 3+73.86 TO STA. 15+73.48

PROPOSED LEGEND	
ⓐ	HMA SURFACE REMOVAL, 2"
ⓑ	HMA SURFACE COURSE, MIX "D", N70, 2"
ⓐ	PAVEMENT MARKING LINE

SEE SHEET 7 FOR COMPLETE LIST OF PROPOSED ITEMS



TYPICAL #F

STA. 15+73.48 TO STA. 19+97.28

-- (15, 21)RS-7, 22RS-4, 24RS-8
 -- 42, 325

FILE NAME =	USER NAME = sparkgw	DESIGNED - RTS	REVISED -	STATE OF ILLINOIS DEPARTMENT OF TRANSPORTATION	TYPICAL CROSS SECTIONS (LITCHFIELD)			F.A.P. RTE.	SECTION	COUNTY	TOTAL SHEETS	SHEET NO.
c:\pwork\pwork\sparkgw\08222005\0672067-ah-typical.dgn	PLDT SCALE = 48.0000' / in.	DRAWN - RTS	REVISED -		SCALE:	SHEET NO. 3 OF 11 SHEETS	STA.	TO STA.	•	MONTGOMERY	80	9
PLDT DATE = Aug-25-2011 10:14:21AM	DATE - 4-26-11	CHECKED -	REVISED -		FED. ROAD DIST. NO.	ILLINOIS FED. AID PROJECT						
		REVISOR -	REVISED -		CONTRACT NO. 72D67							