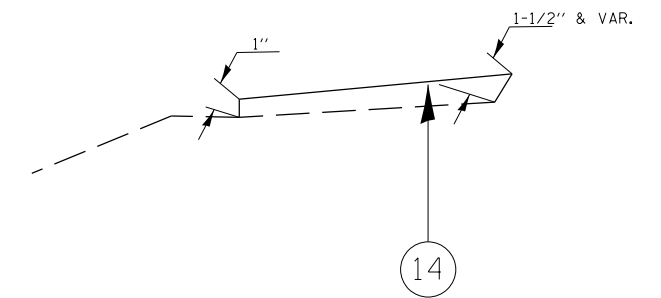
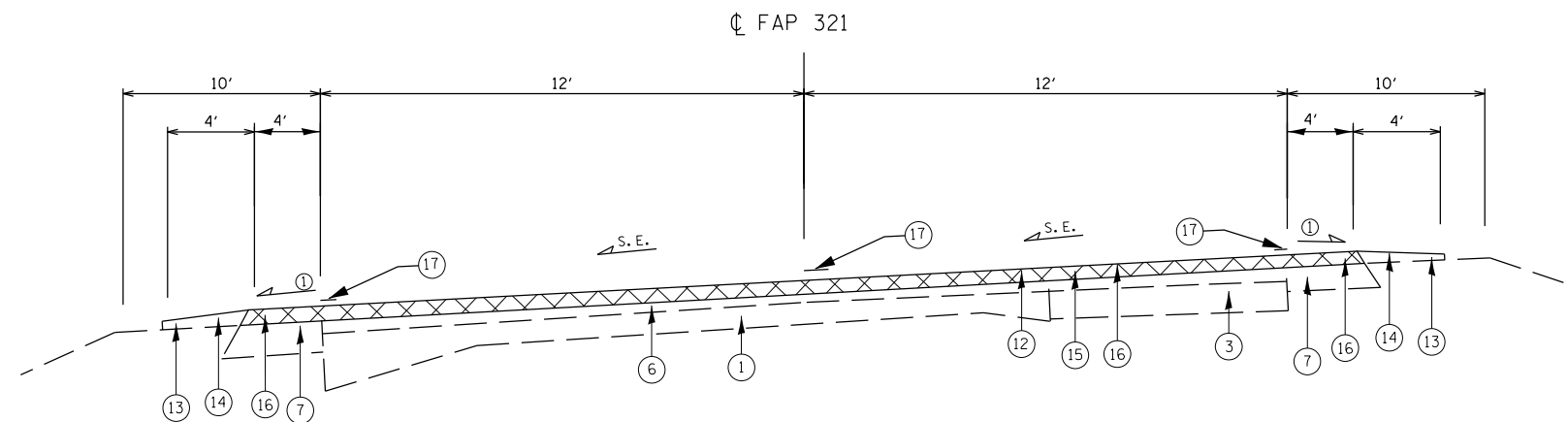


STA. 39+23.81 TO 49+35.00  
 STA. 49+67.00 TO 104+29.25 \*  
 STA. 104+72.75 TO 172+84.25  
 STA. 173+39.75 TO 244+50.00  
 STA. 275+39.22 TO 340+00.00

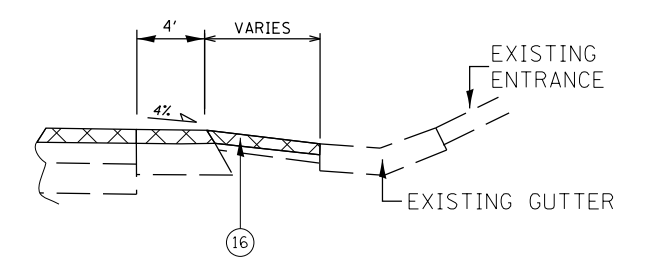
STA. EQ. 303+40.90 BK. =  
 STA. EQ. 325+00.00 AH.



AGGREGATE SHOULDER DETAIL



COMPOUND CURVE  
 STA. 43+07.77 TO 44+82.97 ( S.E. TRANS. NC TO 5.8%)  
 STA. 44+82.97 TO 54+71.70 ( FULL S.E. 5.8%)  
 STA. 54+71.70 TO 54+86.10 ( S.E. TRANS. 5.8% TO 5.2% )  
 STA. 54+86.10 TO 65+55.99 ( FULL S.E. 5.2% )  
 STA. 65+55.99 TO 67+16.79 ( S.E. TRANS. 5.2% TO NC )



\* TYPE A GUTTER LT STA 57+50.00 TO 65+14.00

BRIDGE PAVING OMISSION  
 STA. 49+35.00 TO 49+67.00  
 STA. 104+29.25 TO 104+72.75  
 STA. 172+84.25 TO 173+39.75

EXISTING LEGEND

1. EXISTING PCC PAVEMENT (9''-6''-9'')
2. EXISTING PCC COURSE, 12''
3. EXISTING 8'' P.C.C. BASE COURSE
4. EXISTING 3/4 '' SMOOTH BAR
5. EXISTING 1/2 '' BAR
6. EXISTING HMA SURFACE COURSE OVERLAY,VAR
7. EXISTING 8'' STABLIZED SHOULDER
8. EXISTING CONCRETE CURB AND GUTTER
9. EXISTING CONCRETE GUTTER
10. EXISTING SUB-BASE GRANULAR
11. EXISTING LEVELING BINDER, 3/4 - 1 1/2
12. EXISTING HMA SURFACE COURSE, 1 1/2
13. EXISTING AGGREGATE SHOULDER, TYPE B

PROPOSED LEGEND

14. PROPOSED AGGREGATE SHOULDER, TYPE B
15. PROPOSED HMA SURFACE COURSE REMOVAL, 1-1/2''
16. PROPOSED HMA SURFACE COURSE MIXTURE C, N50 1-1/2''
17. PROPOSED PAVEMENT MARKING-LINE 5''

- NOTES: 1. IF SUPERELEVATION EXIST THE SHOULDER SLOPES ON THE HIGH SIDE MAXIMUM BREAK-OVER SHOULD BE NO GREATER THAN 8% AND ON THE LOW SIDE SAME AS SUPERELEVATION IF OVER 4%.
2. FOR LIMITS OF SUPERELEVATION SEE SUPERELEVATION TRANSITION DETAIL FOR TWO LANE HIGHWAY

• 104RS2,BR3;105RS7,BR3,4;106RS6

FILE NAME =	USER NAME = sparksgw	DESIGNED -	REVISED -	<b>STATE OF ILLINOIS DEPARTMENT OF TRANSPORTATION</b>	<b>US 54 TYPICAL SECTIONS</b>			F.A.P. RTE. 321	SECTION *	COUNTY PIKE	TOTAL SHEETS 69	SHEET NO. 14
ci:\pw\work\p1dot\sparksgw\10265393\0672E43-sht-typical.dgn		DRAWN -	REVISED -		SCALE:	SHEET NO. 1 OF 10 SHEETS	STA. _____ TO STA. _____	CONTRACT NO. 72E43				
		CHECKED -	REVISED -		ILLINOIS FED. AID PROJECT							
		DATE -	REVISED -									