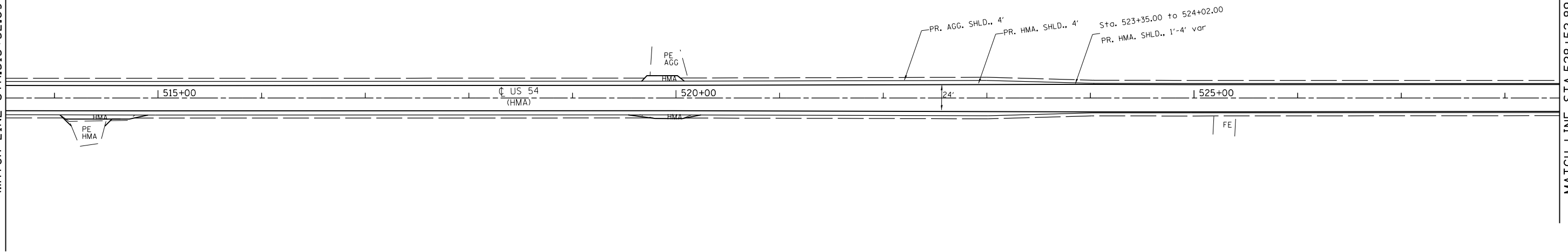




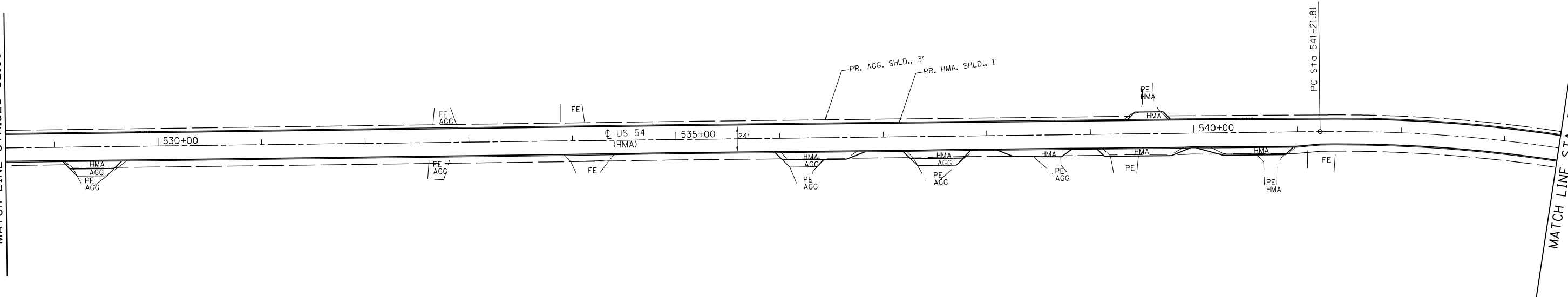
MATCH LINE STA. 513+52.89

MATCH LINE STA. 528+52.89



MATCH LINE STA. 528+52.89

MATCH LINE STA. 543+52.89



• 104RS2,BR3;105RS7,BR3,4;106RS6

FILE NAME =	USER NAME = sparksgw	DESIGNED -	REVISED -
ei:\pw\work\p\idot\sparksgw\10265393\PLAN\dgn		DRAWN -	REVISED -
	PLOT SCALE = 100.0000' / in.	CHECKED -	REVISED -
	PLOT DATE = Oct-31-2011 03:51:40PM	DATE -	REVISED -

**STATE OF ILLINOIS
DEPARTMENT OF TRANSPORTATION**

PLAN SHEET

SCALE: 1"=100' SHEET NO. 16 OF 17 SHEETS STA. 513+52.89 TO STA. 543+52.89

F.A.P. RTE.	SECTION	COUNTY	TOTAL SHEETS	SHEET NO.
321	•	PIKE	69	43
CONTRACT NO. 72E43				
ILLINOIS FED. AID PROJECT				