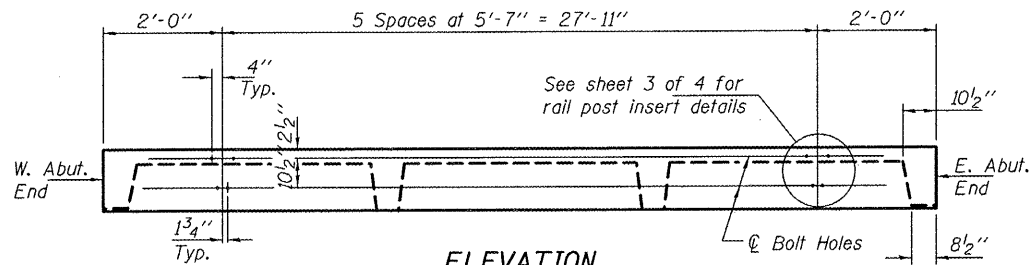


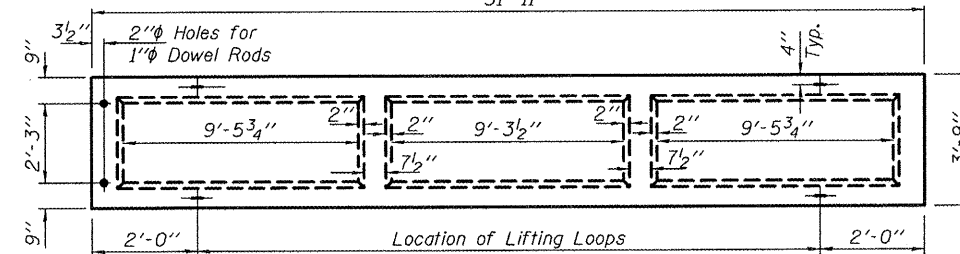
HALF CROSS SECTION
(Looking East)

HALF END ELEVATION
(Looking East)

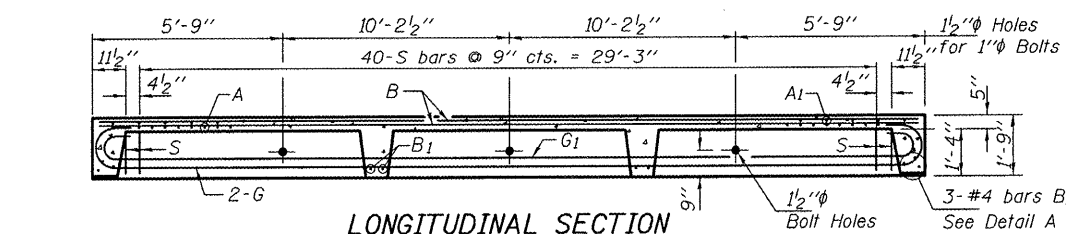


ELEVATION

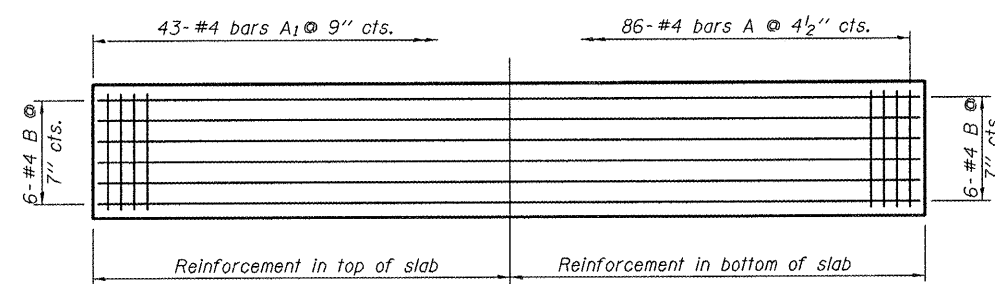
Showing rail post spacing
31'-11"



TYPICAL PLAN OF BEAM

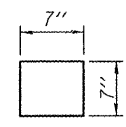


LONGITUDINAL SECTION

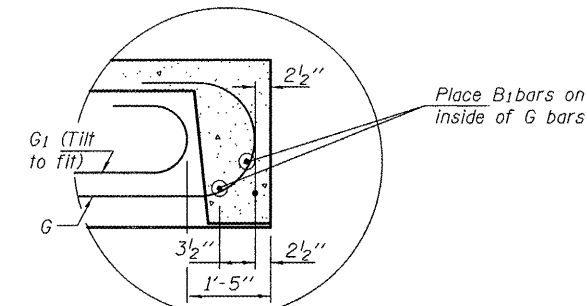


PLAN

Showing Slab Reinforcement

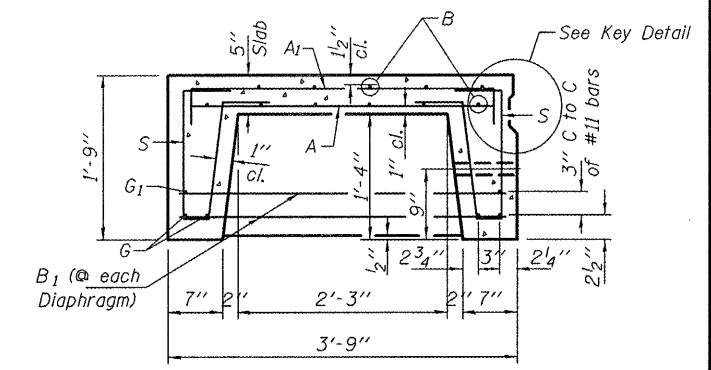


BEARING PADS
4-1/2" Fabric Pads Req'd.

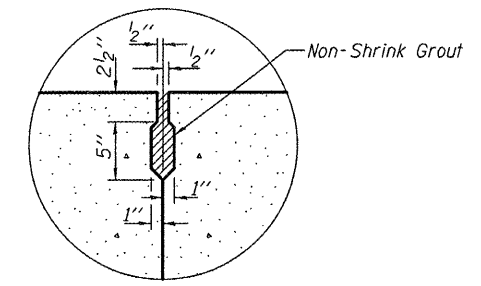


DETAIL A

Note:
The surface of the member shall not deviate more than 1/1200 of the full length of the member from a straight line connecting the two end points on the member's surface. (See Special Provision Precast Concrete Structures)

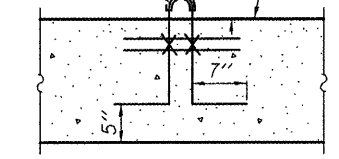


TYPICAL SECTION THRU BEAM



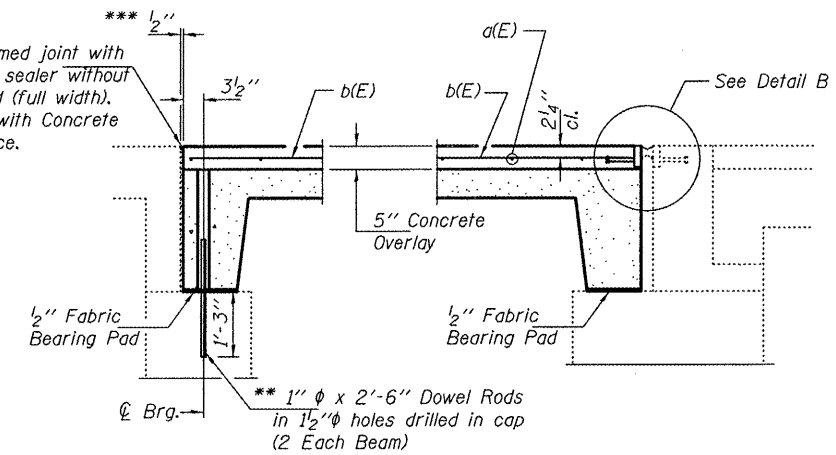
KEY DETAIL

3-1/2" Strands/Loop, 2 Ea. End, Ea. Beam. Loop shall be burned off after beams have been erected. Strands shall conform to the requirements of AASHTO M 203.



LIFTING LOOP

Approved alternate may be substituted for the above.

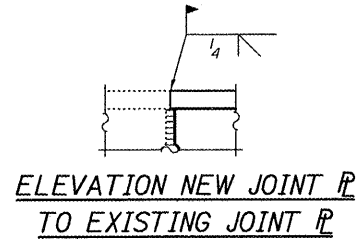


TYPICAL SECTION AT W. ABUT.

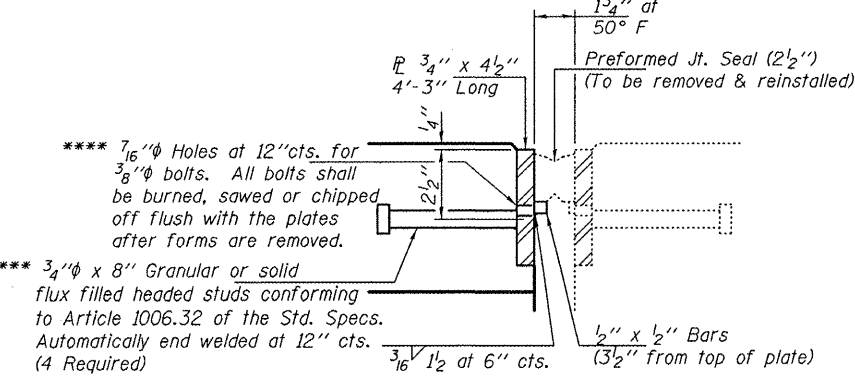
*** Dowel Rods to be grouted after beams are in place and allowed to cure (Min. 24 hrs.) prior to grouting the shear keys.

TYPICAL SECTION AT E. ABUT.

*** 1/2" joint shall be packed with a very dry mix of 2:1 sand and P.C. Mortar. 1/2" dimension may vary plus or minus to accommodate tolerance in beam lengths.



ELEVATION NEW JOINT R TO EXISTING JOINT R

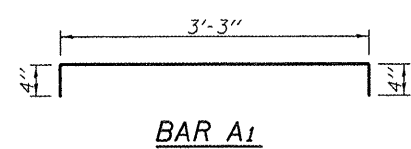


DETAIL B

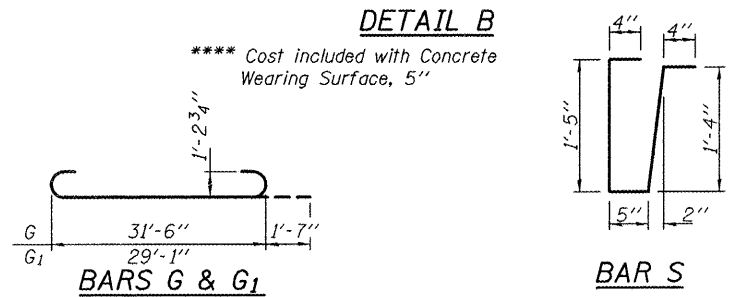
**** Cost included with Concrete Wearing Surface, 5"

**** 7/16" phi Holes at 12" cts. for 3/8" phi bolts. All bolts shall be burned, sawed or chipped off flush with the plates after forms are removed.

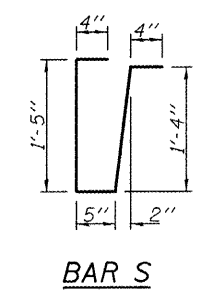
**** 3/4" phi x 8" Granular or solid flux filled headed studs conforming to Article 1006.32 of the Std. Specs. Automatically end welded at 12" cts. (4 Required)



BAR A1



BARS G & G1



BAR S

*** BILL OF REINFORCEMENT BARS FOR ONE BEAM**

Bar	No.	Size	Length	Shape
A	86	#4	3'-3"	—
A1	43	#4	3'-11"	□
B	12	#4	31'-6"	—
B1	10	#4	3'-6"	—
G	4	#11	34'-8"	—
G1	2	#11	32'-3"	—
S	80	#3	3'-10"	U

*** ESTIMATED QUANTITIES FOR ONE BEAM**

	CONCRETE CU. YDS.	RE-BARS POUNDS
One Unit	4.2	1770

* For information of suppliers of Precast Slab Units only.

DESIGNED ADY	EXAMINED	DATE NOVEMBER 28, 2011
CHECKED MKC	PASSED	REVISED
DRAWN baliva		REVISED
CHECKED ADY MKC		

STATE OF ILLINOIS
DEPARTMENT OF TRANSPORTATION

REPAIR DETAILS
SN 075-0022
SHEET NO. 2 OF 4 SHEETS

F.A.P. RTE. 321	SECTION 104RS2, BR3, 10RSR7, BR3, 4; 10RSR6	COUNTY PIKE	TOTAL SHEETS 69	SHEET NO. 53
			CONTRACT NO. 72E43	
ILLINOIS FED. AID PROJECT				