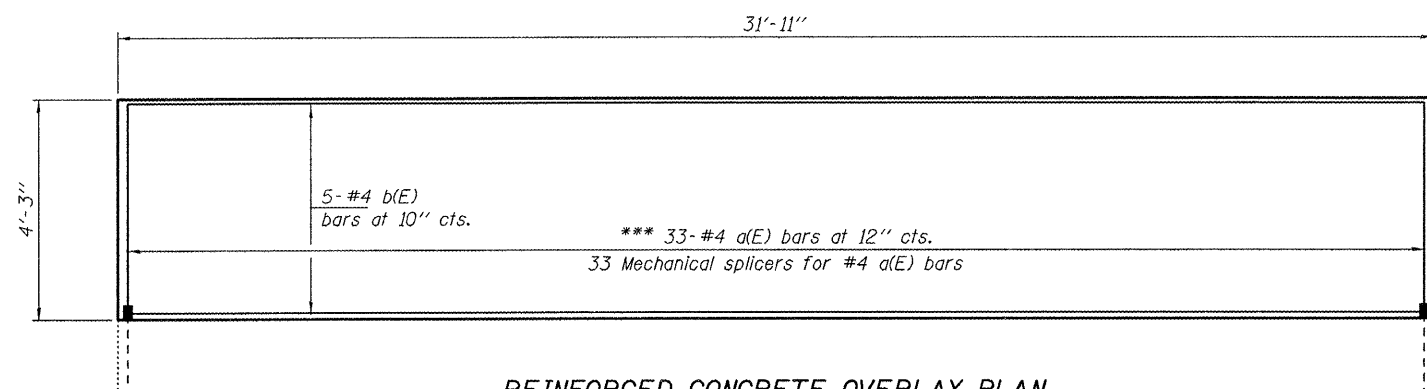


VIEW A-A
ROUND HEAD BOLT



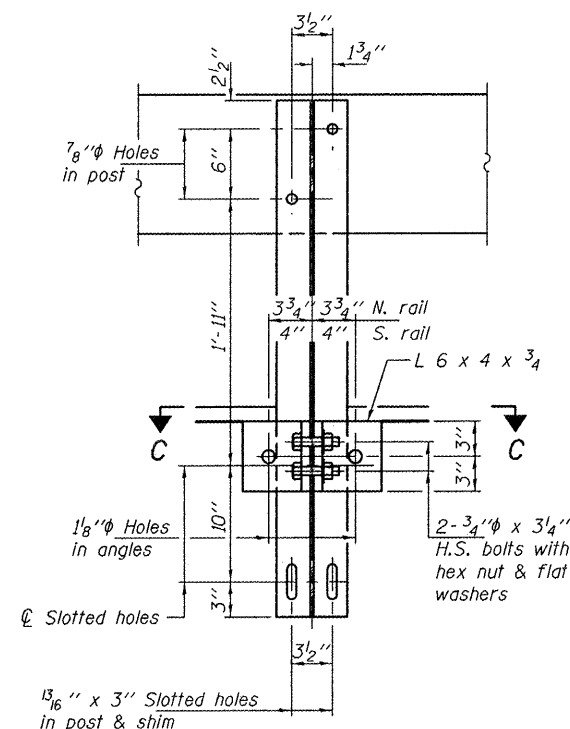
REINFORCED CONCRETE OVERLAY PLAN

BILL OF MATERIAL

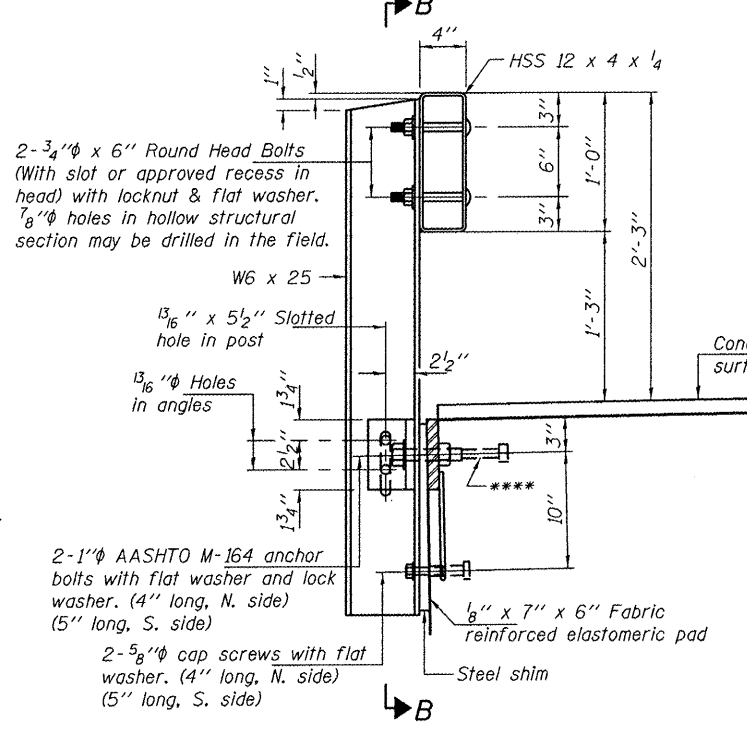
Bar	No.	Size	Length	Shape
a(E)	33	#4	3'-11"	
b(E)	5	#4	31'-7"	
Concrete Wearing Surface, 5"		Sq. Yd.	15.1	
Reinforcement Bars, Epoxy Coated		Pound	190	

*** Attach to existing reinforcement with mechanical splicers. Existing reinforcement to extend 6" (min.) into the removal area to allow attachment of the mechanical splicers.

Notes:
All field drilled holes shall be coated with an approved zinc rich paint before erection.
For multi-span bridges, sufficient 1/4" x 6" x 1'-2" galvanized steel shims shall be provided to align rail between adjacent spans. Cost included with Steel Railing, Type S-1.
All steel rail elements shall be galvanized according to Article 509.05 of the Standard Specifications.

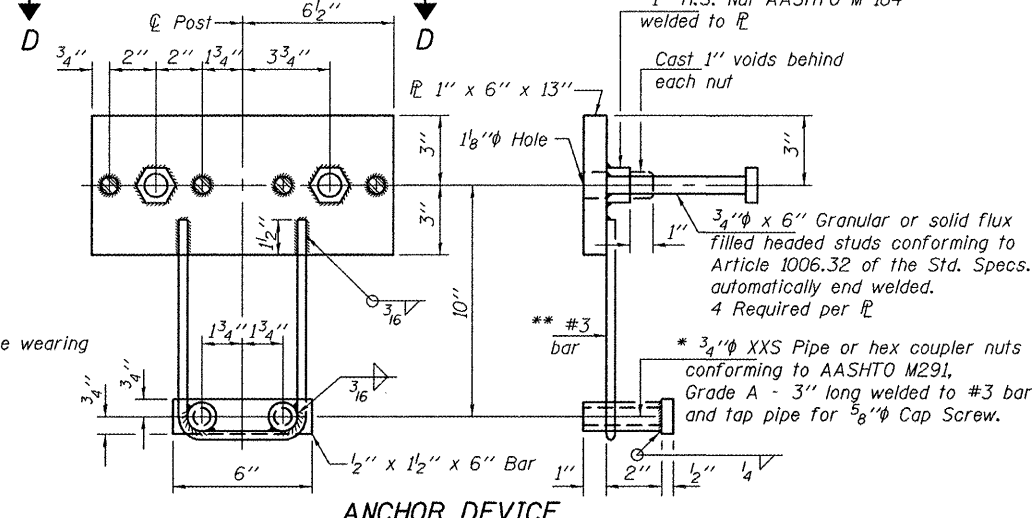


SECTION B-B



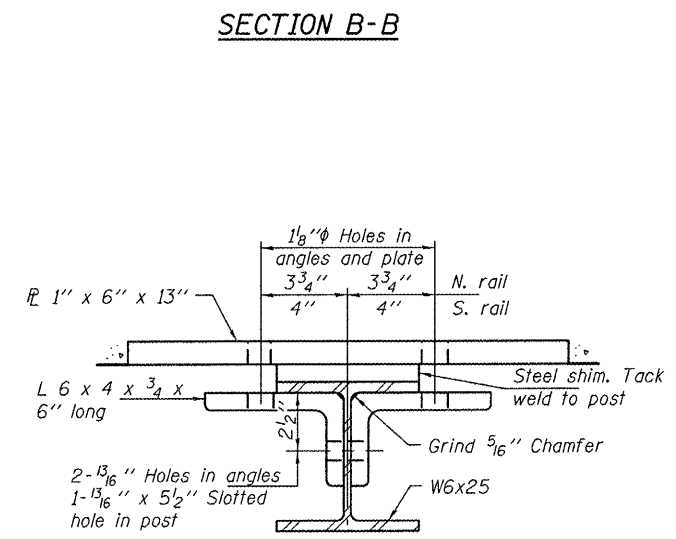
SECTION AT RAILING POST

**** The studs of the anchor devices shall be placed below the top reinforcement bars and the outermost longitudinal reinforcement bar shall be placed directly above the studs of the rail post anchor device.

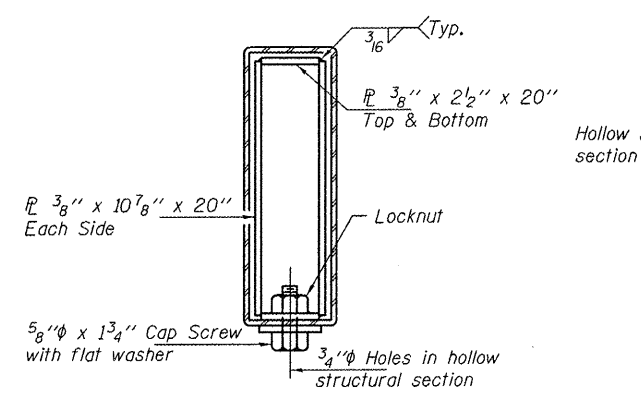


ANCHOR DEVICE

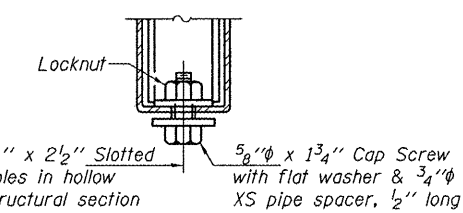
Note: Anchor device shown is for North rail only. Reuse existing anchor device for South rail.
* Threaded areas shall be plugged or blocked off during casting of beam.
** Whenever the lower insert assemblies interfere with strand locations, the #3 bars shall be cut and adjusted in order to allow raising or lowering of the lower inserts. Maximum adjustment not to exceed 1/2 inch.



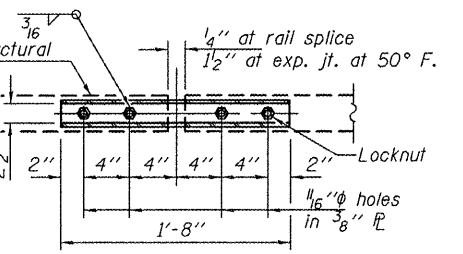
SECTION C-C



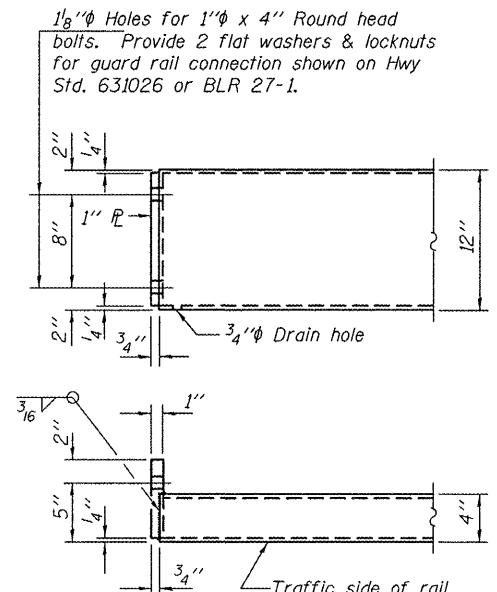
SECTIONS AT RAIL SPLICE



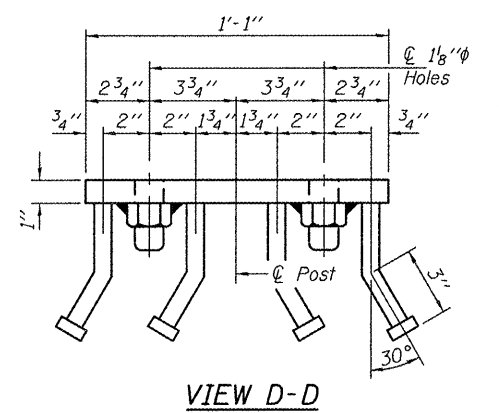
RAIL SPLICE CONNECTION AT EXPANSION JT.



PLAN-BOTT. SPLICE TYPICAL



END OF RAIL DETAILS



VIEW D-D

BILL OF MATERIAL

Item	Unit	Quantity
Steel Railing, Type S1	Foot	64

DESIGNED ADY	EXAMINED	DATE NOVEMBER 28, 2011
CHECKED MKC	PASSED	
DRAWN baliva		
CHECKED ADY MKC		

STATE OF ILLINOIS
DEPARTMENT OF TRANSPORTATION

REPAIR DETAILS
SN 075-0022
SHEET NO. 3 OF 4 SHEETS

F.A.P. RTE.	SECTION	COUNTY	TOTAL SHEETS	SHEET NO.
321	104RS2, BR3, 10SR57, BR3, 41 10RS6	PIKE	69	54
CONTRACT NO. 72E43				
ILLINOIS FED. AID PROJECT				