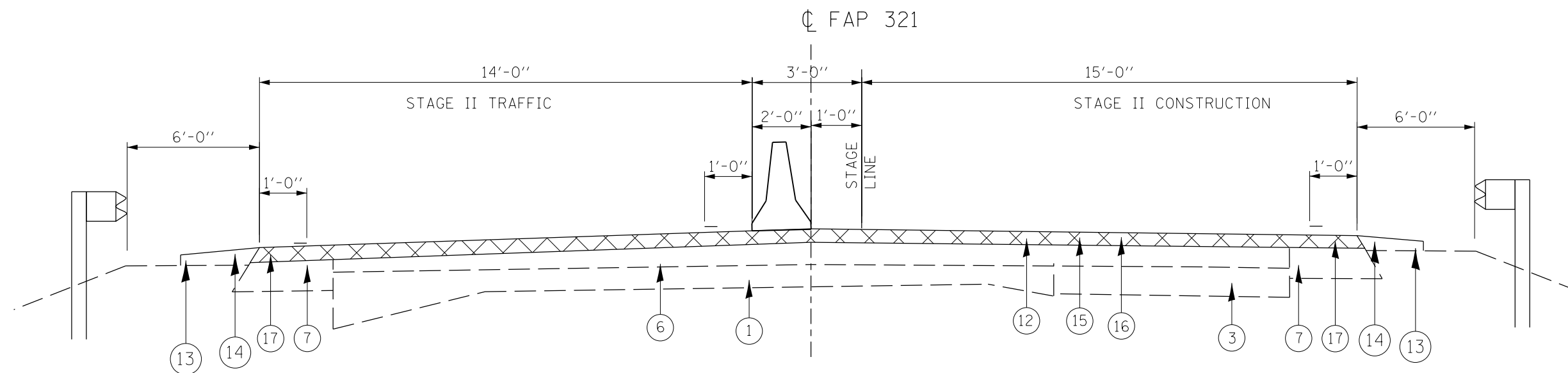


STAGE I CONSTRUCTION DETAILS - ROADWAY SECTION



STAGE II CONSTRUCTION DETAILS - ROADWAY SECTION

EXISTING LEGEND

1. EXISTING PCC PAVEMENT
2. EXISTING PCC COURSE 1'
3. EXISTING 8" P.C.C. BASE COURSE WIDENING
4. EXISTING 3/4" SMOOTH BAR
5. EXISTING 1/2" BAR
6. EXISTING HMA SURFACE COURSE OVERLAY
7. EXISTING 8" STABILIZED SHOULDER
8. EXISTING CONCRETE CURB AND GUTTER
9. EXISTING CONCRETE GUTTER
10. EXISTING SUB-BASE GRANULAR
11. EXISTING LEVELING BINDER
12. EXISTING HMA SURFACE COURSE
13. EXISTING AGGREGATE SHOULDER, TYPE B

PROPOSED LEGEND

14. PROPOSED AGGREGATE SHOULDER, TYPE B
15. PROPOSED HMA SURFACE COURSE REMOVAL, 1-1/2"
16. PROPOSED HMA SURFACE COURSE MIXTURE C, N50 1-1/2"
17. PROPOSED HMA SHOULDER
18. PROPOSED PAVEMENT MARKING-LINE 5"

• 104RS2,BR3;105RS7,BR3,4;106RS6

FILE NAME =	USER NAME = sparksgw	DESIGNED -	REVISED -	STATE OF ILLINOIS DEPARTMENT OF TRANSPORTATION	STAGING DETAILS TYPICAL SECTIONS SN 075-0077			F.A.P. RTE.	SECTION	COUNTY	TOTAL SHEETS	SHEET NO.
ci:\pw\work\p\id\dot\sparksgw\10265393\STAGING.dgn		DRAWN -	REVISED -		321	.	PIKE	69	56			
PLOT SCALE = 48:0.6997' / in.		CHECKED -	REVISED -		SCALE: SHEET NO. 1 OF 10 SHEETS STA. _____ TO STA. _____			CONTRACT NO. 72E43				
PLOT DATE = Oct-31-2011 03:52:24PM		DATE -	REVISED -		ILLINOIS FED. AID PROJECT							