

GENERAL NOTES

All structural steel shall conform to AASHTO Classification M-270 Gr. 36, unless otherwise noted.

Reinforcement bars shall conform to the requirements of ASTM A 706 Gr 60. See Special Provisions.

Reinforcement bars designated (E) shall be epoxy coated.

Prior to pouring the new concrete deck, all heavy or loose rust, loose mill scale, and other loose or potentially detrimental foreign material shall be removed from the surfaces in contact with concrete. Tightly adhered paint may remain unless otherwise noted. Removal shall be accomplished by methods that will not damage the steel and the cost will be included in the pay item covering removal of the existing concrete.

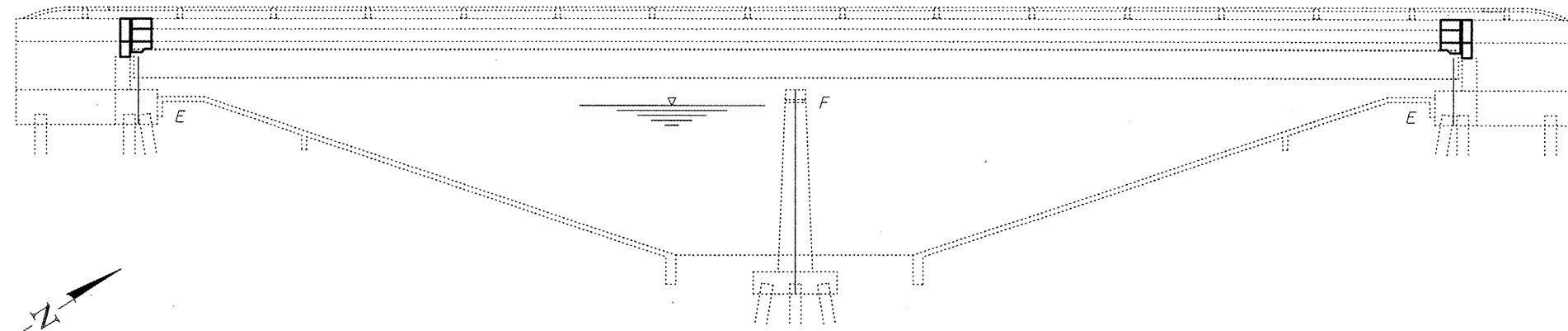
Plan dimensions and details relative to existing plans are subject to nominal construction variations. The Contractor shall field verify existing dimensions and details affecting new construction and make necessary approved adjustments prior to construction or ordering of materials. Such variations shall not be cause for additional compensation for a change in scope of the work, however, the Contractor will be paid for the quantity actually furnished at the unit price bid for the work.

Existing reinforcement bars extending into the removal area shall be cleaned, straightened and incorporated into the new construction. Any reinforcement bars that are damaged during concrete removal shall be replaced with an approved bar splicer or anchorage system. Cost included with Concrete Removal.

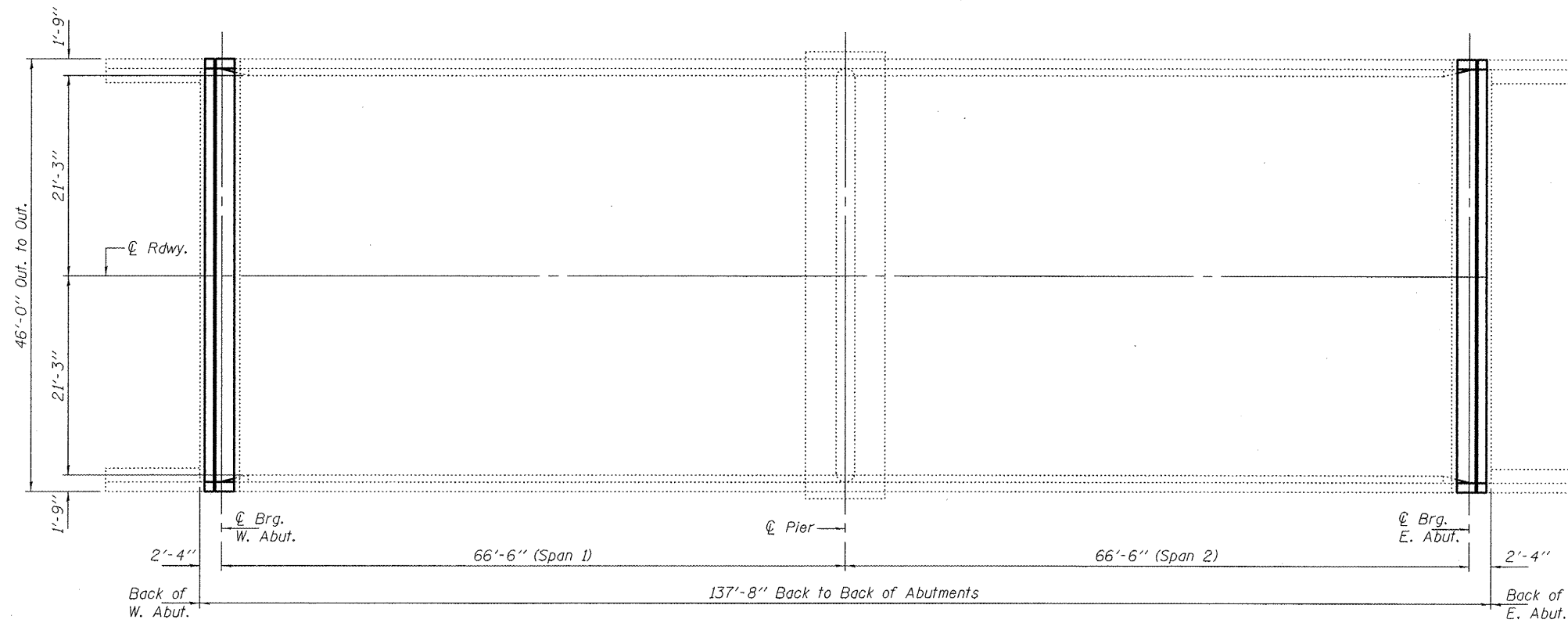
Joint openings shall be adjusted according to Article 520.04 of the Standard Specifications when the deck is poured at an ambient temperature other than 50° F.

The deck surface shall have its final finish tined according to Article 420.09(e)(1) of the Standard Specifications. Cost included with Concrete Superstructures.

The existing structural steel coating contains lead. The Contractor shall take appropriate precautions to deal with the presence of lead on this project.



ELEVATION



PLAN

TOTAL BILL OF MATERIAL

ITEM	UNIT	QUANTITY
Concrete Removal	Cu. Yd.	14.8
Concrete Superstructure	Cu. Yd.	14.7
Preformed Joint Strip Seal	Foot	90
Reinforcement Bars, Epoxy Coated	Pound	1630
Bar Splicers	Each	28
* Protective Coat	Sq. Yd.	33.3

* New Concrete Areas Only.



Expires: November 30, 2012

DESIGNED - <i>[Signature]</i>	EXAMINED - <i>[Signature]</i>	DATE - NOVEMBER 28, 2011
CHECKED - <i>[Signature]</i>	<i>[Signature]</i> ACTING ENGINEER OF STRUCTURAL SERVICES	
DRAWN - Kyle W. Steffen	PASSED - <i>[Signature]</i>	
CHECKED - <i>[Signature]</i> ADY	<i>[Signature]</i> ACTING ENGINEER OF BRIDGES AND STRUCTURES	

**STATE OF ILLINOIS
DEPARTMENT OF TRANSPORTATION**

**GENERAL PLAN & ELEVATION
U.S. 54 OVER RELOCATED SNY RIVER
SN 075-0077**

SHEET NO. 1 OF 5 SHEETS

F.A.P. RTE.	SECTION	COUNTY	TOTAL SHEETS	SHEET NO.
321	104RS2, BR3;	PIKE	69	58
	105RS7, BR3, 4; 106RS6		CONTRACT NO. 72E43	
ILLINOIS FED. AID PROJECT				