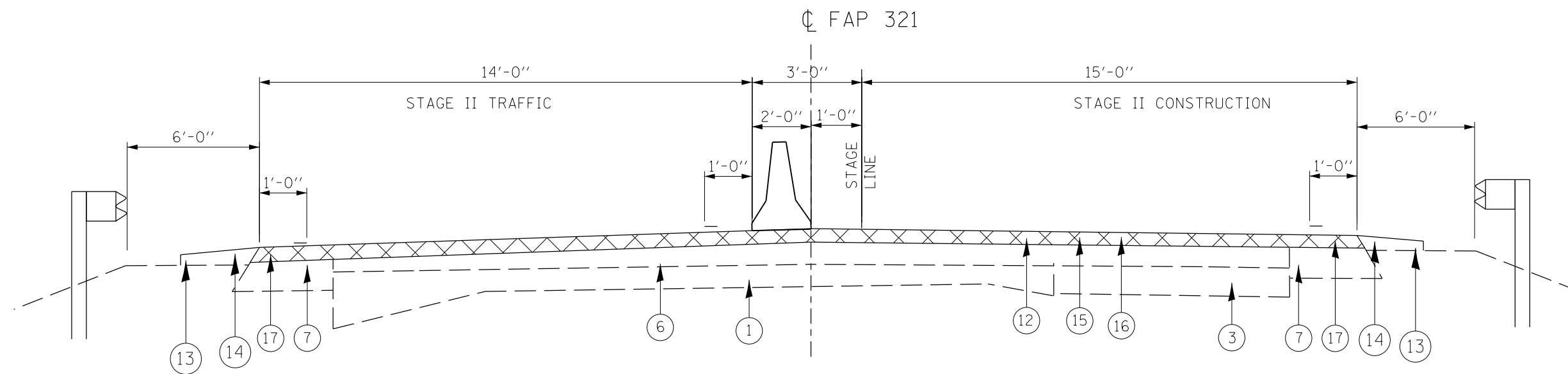


STAGE I CONSTRUCTION DETAILS - ROADWAY SECTION



STAGE II CONSTRUCTION DETAILS - ROADWAY SECTION

EXISTING LEGEND

1. EXISTING PCC PAVEMENT
2. EXISTING PCC COURSE 1'
3. EXISTING 8" P.C.C. BASE COURSE WIDENING
4. EXISTING 3/4" SMOOTH BAR
5. EXISTING 1/2" BAR
6. EXISTING HMA SURFACE COURSE OVERLAY
7. EXISTING 8" STABILIZED SHOULDER
8. EXISTING CONCRETE CURB AND GUTTER
9. EXISTING CONCRETE GUTTER
10. EXISTING SUB-BASE GRANULAR
11. EXISTING LEVELING BINDER
12. EXISTING HMA SURFACE COURSE
13. EXISTING AGGREGATE SHOULDER, TYPE B

PROPOSED LEGEND

14. PROPOSED AGGREGATE SHOULDER, TYPE B
15. PROPOSED HMA SURFACE COURSE REMOVAL, 1-1/2"
16. PROPOSED HMA SURFACE COURSE MIXTURE C, N50 1-1/2"
17. PROPOSED HMA SHOULDER
18. PROPOSED PAVEMENT MARKING-LINE 5"

• 104RS2, BR3; 105RS7, BR3, 4; 106RS6

FILE NAME =	USER NAME = sparksgw	DESIGNED -	REVISED -	STATE OF ILLINOIS DEPARTMENT OF TRANSPORTATION	STAGING DETAILS TYPICAL SECTIONS SN 075-0080			F.A.P. RTE. 321	SECTION *	COUNTY PIKE	TOTAL SHEETS 69	SHEET NO. 63
c:\pwork\work\pwork\sparksgw\10265393\STAGING.dgn		DRAWN -	REVISED -		SCALE:	SHEET NO. 1 OF 10 SHEETS	STA. _____ TO STA. _____	CONTRACT NO. 72E43				
		CHECKED -	REVISED -		ILLINOIS FED. AID PROJECT							
		DATE -	REVISED -									